



# LINKEO DATA CENTER

SERVER CABINETS  
& CORRIDOR SOLUTIONS

 **legrand**<sup>®</sup>

LIVE THE ADVANTAGE

# LINKEO DATA CENTER

Server Cabinets & Corridor Solutions

A datacenter includes server cabinets and cables to organize and interconnect all IT equipment (servers, routers, switches, hard disks, etc.). This infrastructure is used by companies to organize, process, store large amounts of data. A datacenter meets very strict technical specifications in order to guarantee its physical and IT security, as well as its operation, which must not experience any interruption or drop in performance. Thermal engineering plays a key role in its design. Such installations generate a lot of heat and need to be cooled to avoid breakdowns.

Discover the new Linkeo Data Center solutions composed of server cabinets and corridor.

- Static heavy duty structure
- Complete in one part number or composable



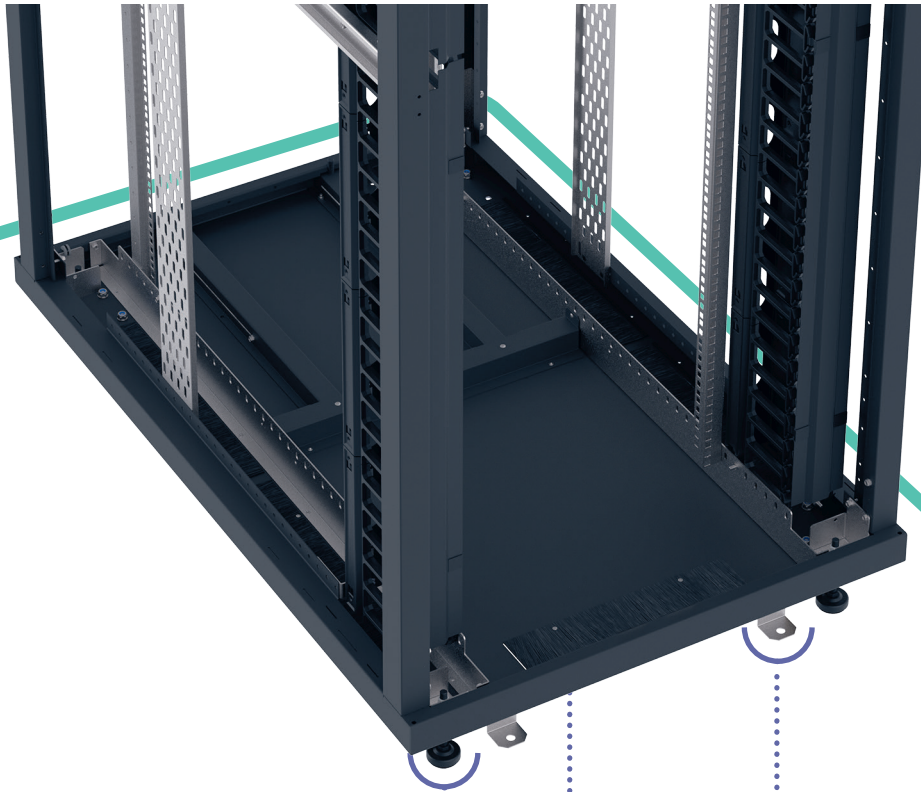


## GENERAL CHARACTERISTICS

- Dimensions: 42/47U, width 600/780 mm, depth 1000/1200 mm
- 80% perforated front/rear doors for best air circulation
- Simply the raceway for cords are created by fixing cable rings on all profiles in front and rear part of the cabinets
- Easy movable 19" profiles to front/rear
- Multiple brushed cable entries on top and the bottom of the cabinet
- Side panels are lockable & removable in 1 part (depth 1000 mm) or in 2 parts (depth 1200 mm) - for easiest handling
- Ample variety of accessories
- Color: RAL 9005 Black

# LINKEO DATA CENTER

## 19" Free-Standing Server Cabinets



### CASTERS AND LEVELLING FEET\*

Casters are rotational type and can move any direction  
Load capacity per caster: Fixed: 150 kg, Moving: 112 kg

Load capacity per levelling feet: 375 kg.

Levelling feet: Possible to adjust height of the feet  
from the floor.

### FLOOR FIXING KIT\*

Fixing the cabinet to floor for better stability. 4-point fixing.  
Galvanized sheet metal

### FAN MODULE\*

4 or 6 pcs of fan on a module, with ON/OFF.  
Complete inner wiring. 1U.

### LIGHTING KIT\*

Equipped with magnets.

### GROUNDING CONTINUITY

Grounding cables for all metal components.  
Cable connections with bolts and nuts for all  
doors.

### BRUSHED CABLE ENTRY

For the width 780 mm cabinets, there are  
5 pieces; 4 pieces on both sides and 1 pcs at  
the rear. The dimensions of the cable entries  
are different according to the depth of the  
cabinet.

For 1000 mm depth:

80 mm x 350 mm (x4), 80 mm x 350 mm (x1)

For 1200 mm depth:

80 mm x 350 mm (x1), 80 mm x 450 mm (x4)

(\* ) Option



### FIXED AND SLIDING SHELF\*

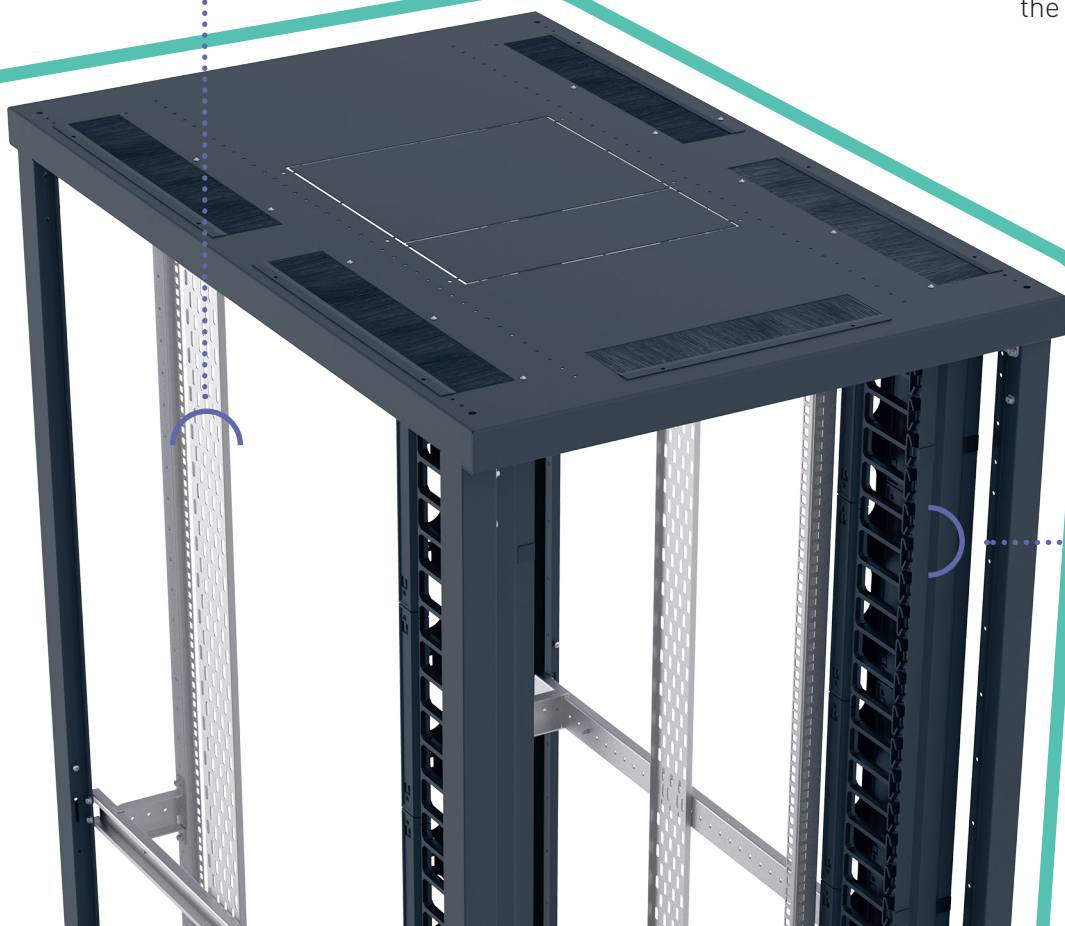
Fixing points at the sides of rear and front 19" uprights. Vented for air circulation, adjustable depth, sheet steel material. For depth 1000 mm cabinets.

### CABLE TRAY\*

Option from 42U to 47U,  
W=100 mm.

### FINGER TYPE VERTICAL MANAGER\*

Option for patchcords from 42U to 47U.  
Professional cabling with finger type structure makes the user's work easier. It provides more optimal using area in the cabinet.



The image is for  
the width of  
780 mm cabinet

# LINKEO DATA CENTER

How to create a server cabinet?

## Select frame

without doors, side panels, levelling feet  
and grounding busbar



Doors

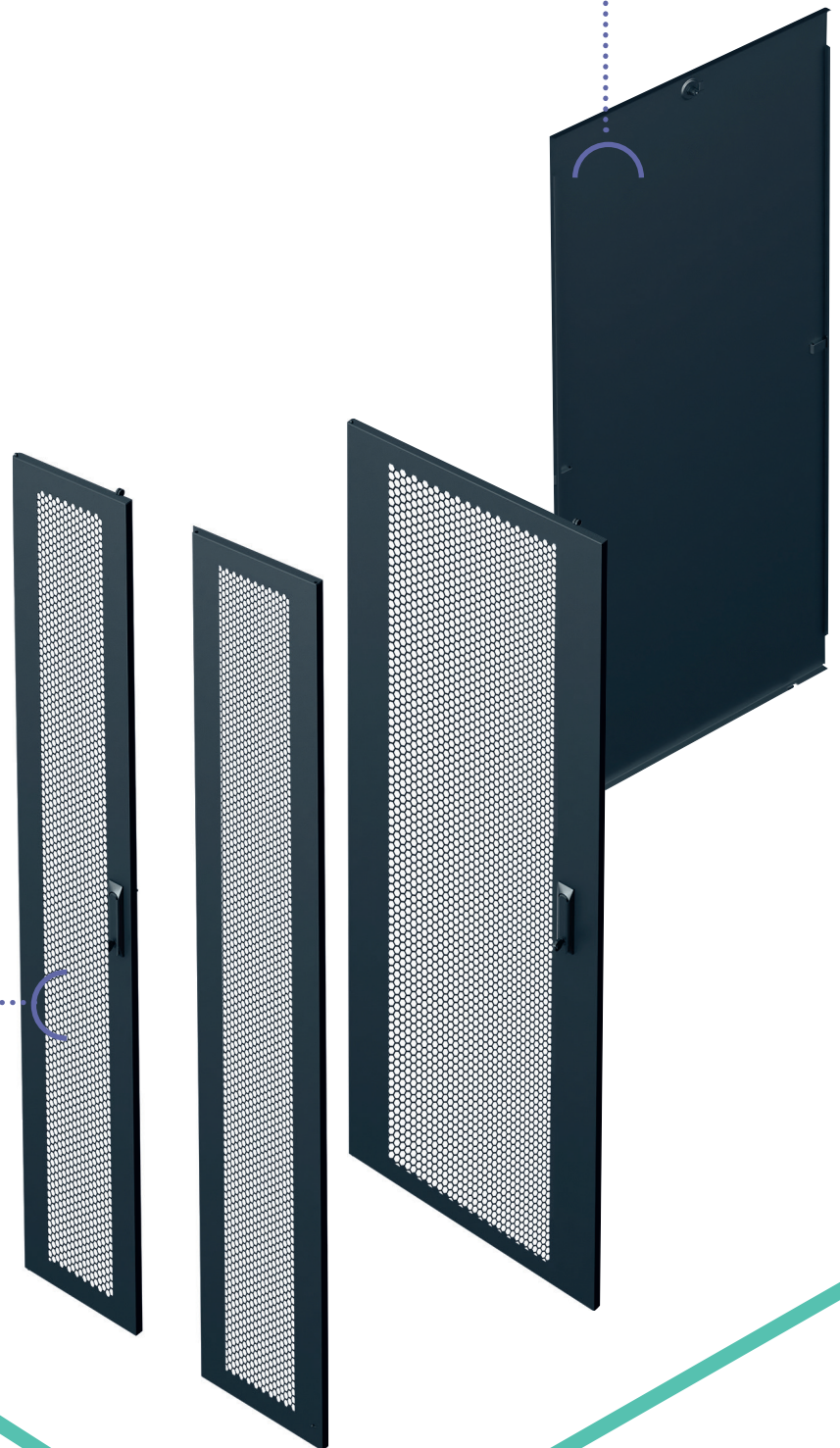


Side panels



Accessories

CABINET SIDE PANELS



CABINET DOORS  
Double opening

19" CABINET FRAME

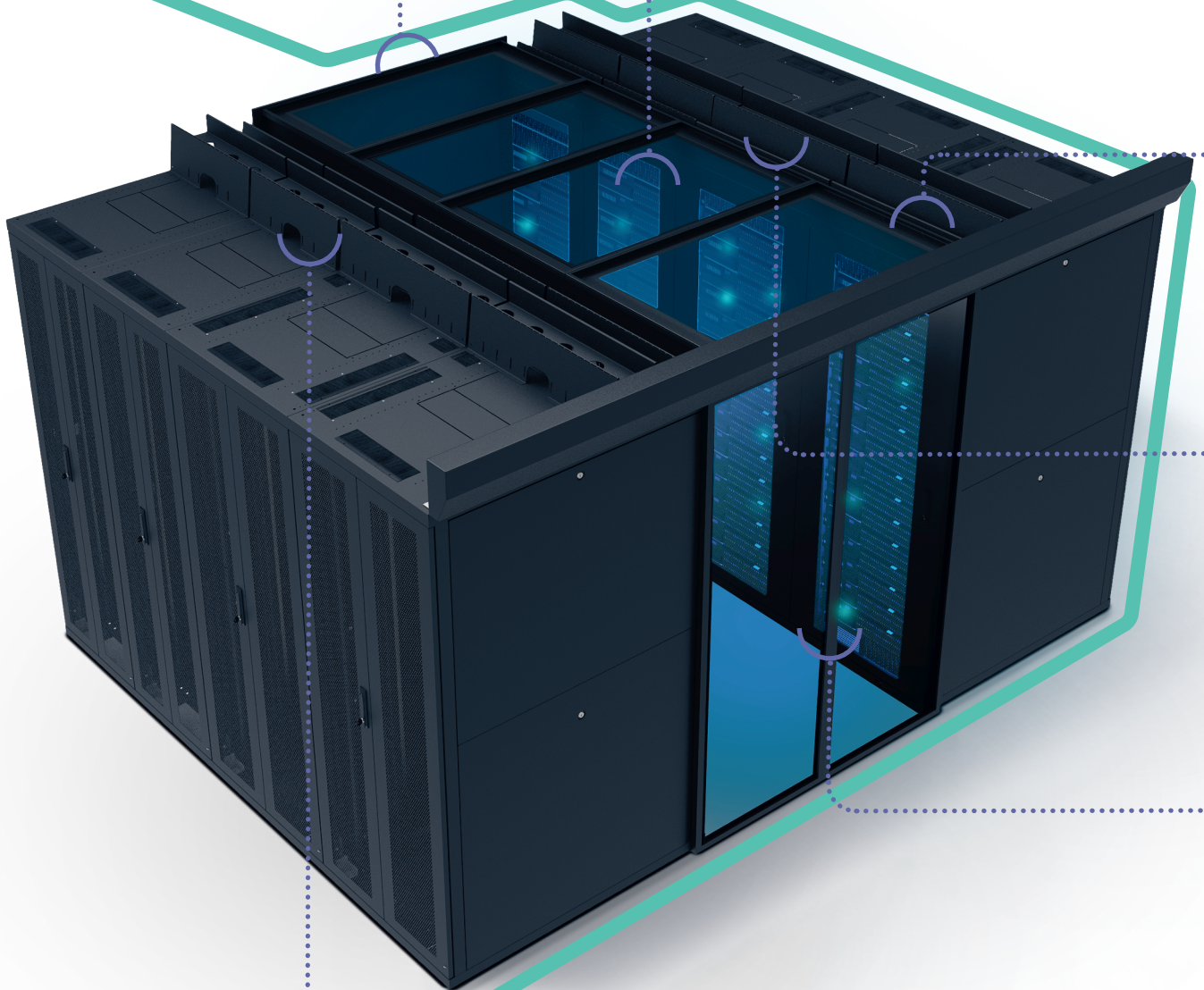
CABINET DOORS  
Single opening

ACCESSORIES

- Plinths
- Casters
- Levelling feet
- Raised floor support
- Anti-tilt bar
- Floor fixing
- Vertical cord manager
- Cable tray
- Fan modules
- PDU holder
- Grounding busbar

# LINKEO DATA CENTER

Corridor Solutions







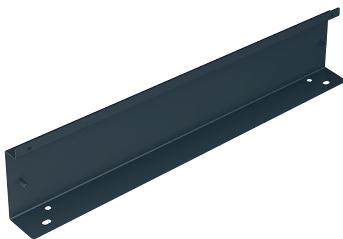
### CORRIDOR REAR PANEL MODULES

To close the back of aisle containment system. 42/47U - width 1200 mm.



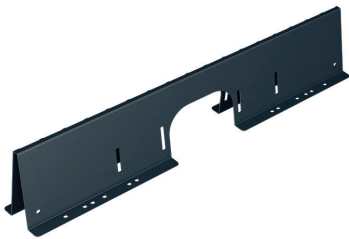
### TOP PANEL MODULES

Easy fixable top panel using to close the top of hot/cold aisle containment. Polycarbonate (4 mm) closing with reinforced metal frame. Width 600/780 mm.



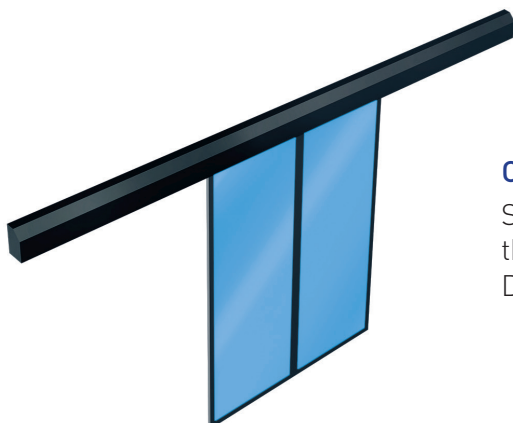
### TOP COVER PANEL

For close the top of hot/cold aisle containment. Width: from 600 mm to 780 mm - Height 120 mm



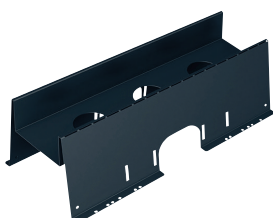
### TOP COVER CABLE SEPARATOR (A TYPE)

Separate cable inlet for data and energy cables, and separate overhead cable trays and dividers minimize the electromagnetic and physical interference. A type separator have H=120 mm and W=600/780 mm options.



### CORRIDOR DOORS

Sliding doors providing an airtight enclosure for the aisle containment system. Dimensions: 42/47U - width 1200 mm.



### TOP COVER CABLE SEPARATOR (M TYPE)

Server cabinets offer professional and highly secured management of high density data and power cables. M Type separator have H=200 mm and W=600/780 mm options.

# Linkeo Data Center 19" server cabinets

## cabinets and equipment



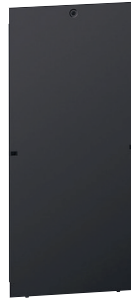
4666 20



4666 40



4666 50

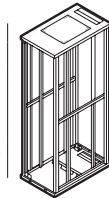


4666 60

Technical characteristics p. 12

### Pack Cat.Nos Server Cabinets Frame

Pack	Cat.Nos	Server Cabinets Without Doors, Side Panels
		Assembled (In case of Assembled, cabinet with all accessories installed)
1	4666 20	42U 600X1000 RAL 9005
1	4666 21	42U 600X1200 RAL 9005
1	4666 22	42U 780X1000 RAL 9005
1	4666 23	42U 780X1200 RAL 9005
1	4666 24	47U 600X1000 RAL 9005
1	4666 25	47U 600X1200 RAL 9005
1	4666 26	47U 780X1000 RAL 9005
1	4666 27	47U 780X1200 RAL 9005



Pack	Cat.Nos	Server Cabinets Without Doors, Side Panels SKD
1	4666 30	42U 600X1000 RAL 9005
1	4666 31	42U 600X1200 RAL 9005
1	4666 32	42U 780X1000 RAL 9005
1	4666 33	42U 780X1200 RAL 9005
1	4666 34	47U 600X1000 RAL 9005
1	4666 35	47U 600X1200 RAL 9005
1	4666 36	47U 780X1000 RAL 9005
1	4666 37	47U 780X1200 RAL 9005

Pack	Cat.Nos	Front/Rear Cabinet Doors 80% Perforated, Single And Double Opening Front Or Rear Door (Includes 1 Pcs. Of Door)
1	4666 40	42U 600mm 80% Perforated, Single Opening Front Or Rear Door
1	4666 41	42U 780mm 80% Perforated, Single Opening Front Or Rear Door
1	4666 42	47U 600mm 80% Perforated, Single Opening Front Or Rear Door
1	4666 43	47U 780mm 80% Perforated, Single Opening Front Or Rear Door
1	4666 50	42U 600mm 80% Perforated, Double Opening Front Or Rear Door
1	4666 51	42U 780mm 80% Perforated, Double Opening Front Or Rear Door
1	4666 52	47U 600mm 80% Perforated, Double Opening Front Or Rear Door
1	4666 53	47U 780mm 80% Perforated, Double Opening Front Or Rear Door

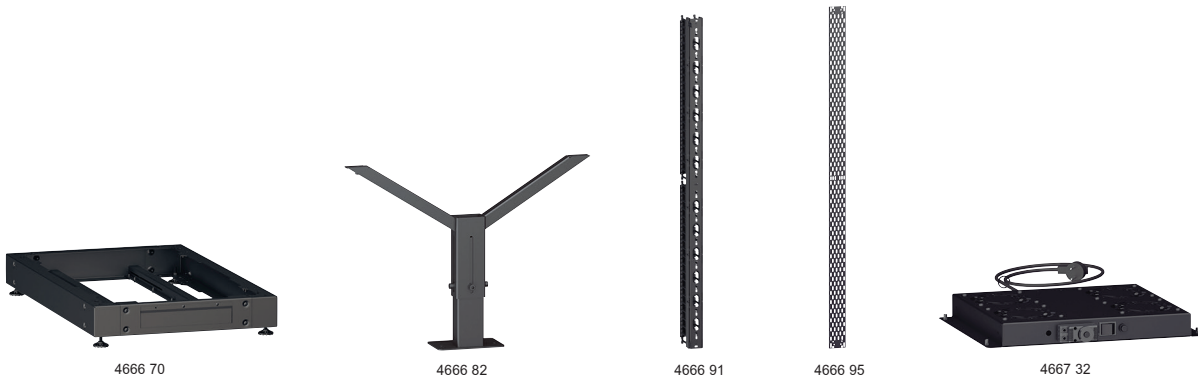
### Pack Cat.Nos Front/Rear Cabinet Doors

Pack	Cat.Nos	80% Perforated, Single And Double Opening Front Or Rear Door (Includes 1 Pcs. Of Door) (Electronic Lock Provision)
1	4666 44	42U 600mm 80% Perforated, Single Opening Front Or Rear Door
1	4666 45	42U 780mm 80% Perforated, Single Opening Front Or Rear Door
1	4666 46	47U 600mm 80% Perforated, Single Opening Front Or Rear Door
1	4666 47	47U 780mm 80% Perforated, Single Opening Front Or Rear Door
1	4666 54	42U 600mm 80% Perforated, Double Opening Front Or Rear Door
1	4666 55	42U 780mm 80% Perforated, Double Opening Front Or Rear Door
1	4666 56	47U 600mm 80% Perforated, Double Opening Front Or Rear Door
1	4666 57	47U 780mm 80% Perforated, Double Opening Front Or Rear Door
1	4666 88	Sml-Kit-Sco-60-2d Electronic Swing Handle Without Card Reader
1	4666 89	Sml-Kit-Sco-66-1d Single Frequency With Rfid Card Reader
1	4666 90	Sml-Kit-Sco-65-1d Dual Frequency Rfid Card Reader

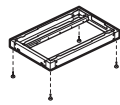
Pack	Cat.Nos	Cabinet Side Panels
1	4666 60	42U 1000mm Set Of 2 Side Panels
1	4666 61	42U 1200mm Set Of 2 Side Panels
1	4666 62	47U 1000mm Set Of 2 Side Panels
1	4666 63	47U 1200mm Set Of 2 Side Panels

# Linkeo Data Center 19" server cabinets

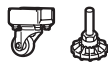
## accessories



Pack	Cat.Nos	Plinth
1	4666 70	Plinth, W 600 mm D 1000 mm
1	4666 71	Plinth, W 600 mm D 1200 mm
1	4666 72	Plinth, W 780 mm D 1000 mm
1	4666 73	Plinth, W 780 mm D 1200 mm



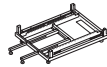
Pack	Cat.Nos	Casters and Levelling Feet
1	4666 80	Casters
1	4666 81	Levelling Feet M10x70 - 1 Set 4 Pieces



Pack	Cat.Nos	Raised Floor Support Kit
1	4666 82	Raised Floor Support Kit, For W 600 mm Cabinets, Height 400-700 mm, 1 Set 2 Pcs
1	4666 83	Raised Floor Support Kit, For W 780 mm Cabinets, Height 400-700 mm, 1 Set 2 Pcs



Pack	Cat.Nos	Anti-Tilt Bar
1	4666 86	Anti-Tilt Bar



Pack	Cat.Nos	Floor Fixing Kit
1	4666 87	Cabinets Floor Fixing Kit



Pack	Cat.Nos	Vertical Patchcord Manager
------	---------	----------------------------

Pack	Cat.Nos	Finger Type
1	4666 91	Vertical Cord Management, Finger Type, 42U, 1 Set 2 Pcs
1	4666 92	Vertical Cord Management, Finger Type, 47U, 1 Set 2 Pcs



Pack	Cat.Nos	Metal
1	4666 93	Vertical Cord Management, Metal, 42U, 1 Set 2 Pcs
1	4666 94	Vertical Cord Management, Metal, 47U, 1 Set 2 Pcs



Pack	Cat.Nos	Cable Tray
1	4666 95	Cable Tray, 42U, W 100 Mm
1	4666 96	Cable Tray, 47U, W 100 Mm



Pack	Cat.Nos	Fan Modules
1	4667 32	Fan Module, 4 Fan + IEC Plug
1	4667 33	Fan Module, 6 Fan + IEC Plug

Pack	Cat.Nos	Pdu Holder
1	4666 97	Pdu Holder, 1 Set 2 Pcs, For 1 Pdu

Pack	Cat.Nos	Grounding Kit
1	4666 98	grounding busbar kit

Pack	Cat.Nos	Fixed and Sliding Shelves
1	4668 41	Depth 200 fixes shelf
1	4668 42	Depth 360 fixes shelf
1	4668 45	Fixed shelf for 600 depth cabinet
1	4668 46	Fixed shelf for 800 depth cabinet
1	4668 47	Fixed shelf for 1000 depth cabinet
1	4668 48	Telescopic shelf for 600 depth cabinet
1	4668 49	Telescopic shelf for 800 depth cabinet
1	4668 50	Telescopic shelf for 1000 depth cabinet

Pack	Cat.Nos	Management Panels
1	4668 60	19" management panel 2 axes 1U
1	4668 61	19" management panel 2 axes 2U

Pack	Cat.Nos	Blanking Plates
1	4668 62	19" plastic blanking plates 1U
1	4668 63	19" plastic blanking plates 2U

Pack	Cat.Nos	Lighting Kit
1	4668 64	19" lighting kit 1U

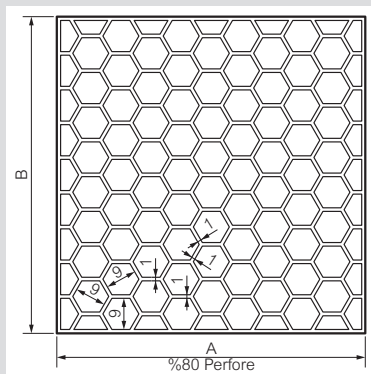
## Technical characteristics

### Index of protection

- IP20 according to EN 61587-1, IEC 60529 IP20: Protected against solid objects larger than 12.5 mm in diameter

### Front door structure

- Produced from CRCA sheet metal
- The door has 80% perforations to have a good air flow
- Provides enough space for patch cords between door and equipment
- Can open 220°



### Locking mechanism

- 3 point lock, handle with semi cylindrical barrel

### Hinge System:

- 3 pcs Zinc alloy Steel to fix the door

### Side panel structure

- Produced from CRCA sheet metal
- Thickness is 1 mm
- Fixed to cabinet by cylindrical lock
- 2 pcs in one side

### Rear door structure:

- Produced from CRCA sheet metal
- The flat door has 80% perforations to have a good air flow
- Can open 220°

### Locking mechanism

- 3 point lock, handle with semi cylindrical barrel

### Hinge System

- 3 pcs Zinc alloy Steel to fix the door

### Roof structure

- Produced from CRCA sheet metal
- Suitable to fan module fixing
- Plenty of cable entry possibility
- Brush type cable entries

## Purchased product certification

### Sheet steel

IS 513 (Part 1) 2016

### Electrostatic powder coat NG:

ISO 6860, ISO 2409, ISO 1520, ISO 2815, ISO 6272, ISO 6270-1, ISO 2812, ISO 9001, RoHS

### Glass

IS 2835 EN 12150

### Lock:

IEC 62474, REACH, RoHS

### Castors:

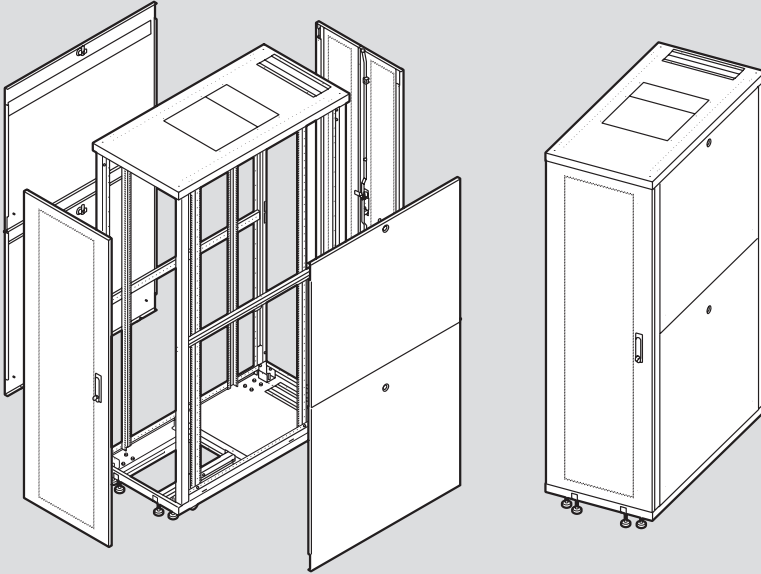
ISO 9001, TS EN 12532, RoHS

### Fan:

IEC 60335-2-80:2002, IEC 60335-1 2010

## Linkeo Data Center 19" server cabinets (continued)

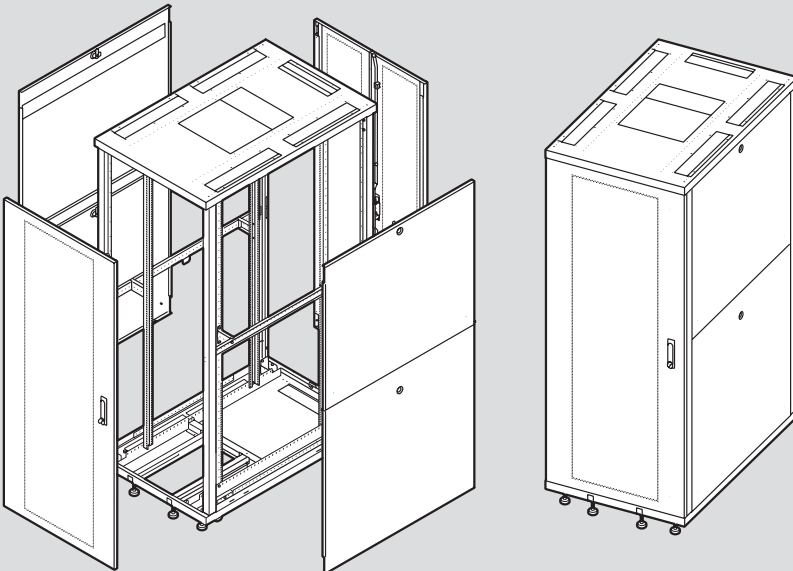
### 19" Linkeo server width 600 mm



Depth 1000 mm: side panels in 1 part  
Depth 1200 mm: side panels in 2 parts

Cat. Nos	U size	Width overall (mm)	Depth overall (mm)	Depth max. mounting profile (mm)	Height vertical mounting profile (mm)	Height without levelling feet (mm)	Height with levelling feet min. (mm)	Height with casters (mm)
4 666 20/30	42	600	1000	830	1867	1967	2052	2047
4 666 21/31	42	600	1200	1030	1867	1967	2052	2047
4 666 24/34	47	600	1000	830	2089	2189	2274	2269
4 666 25/35	47	600	1200	1030	2089	2189	2274	2269

### 19" Linkeo server width 780 mm

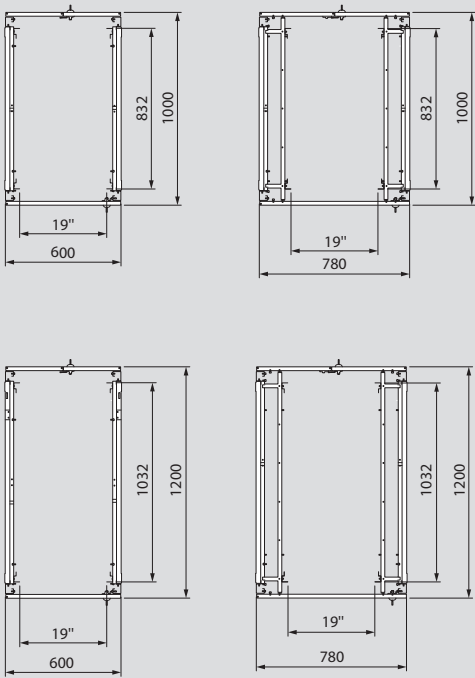


Depth 1000 mm: side panels in 1 part  
Depth 1200 mm: side panels in 2 parts

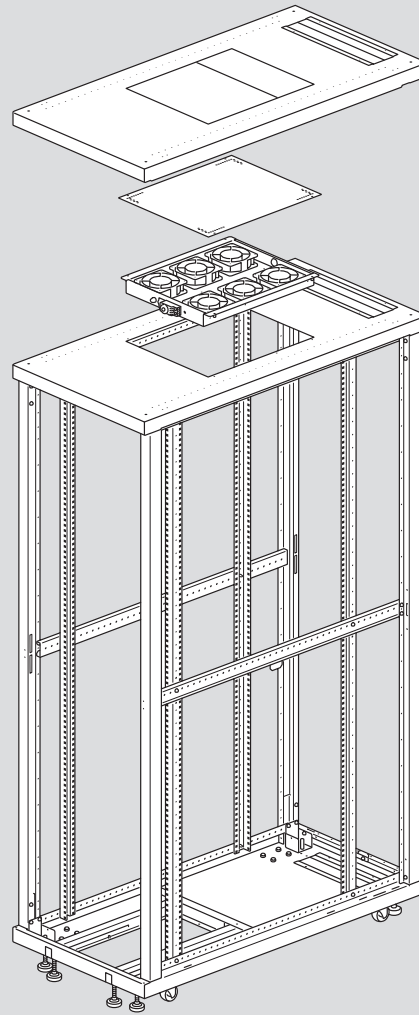
Cat. Nos	U size	Width overall (mm)	Depth overall (mm)	Depth max. mounting profile (mm)	Height vertical mounting profile (mm)	Height without levelling feet (mm)	Height with levelling feet min. (mm)	Height with casters (mm)
4 666 22/32	42	780	1000	830	1867	1967	2052	2047
4 666 23/33	42	780	1200	1030	1867	1967	2052	2047
4 666 26/36	47	780	1000	830	2089	2189	2274	2269
4 666 27/37	47	780	1200	1030	2089	2189	2274	2269

## Linkeo Data Center 19" server cabinets (continued)

### ■ Dimensions

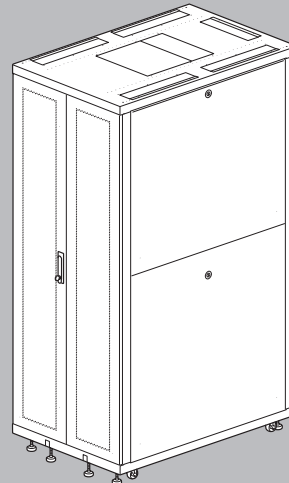
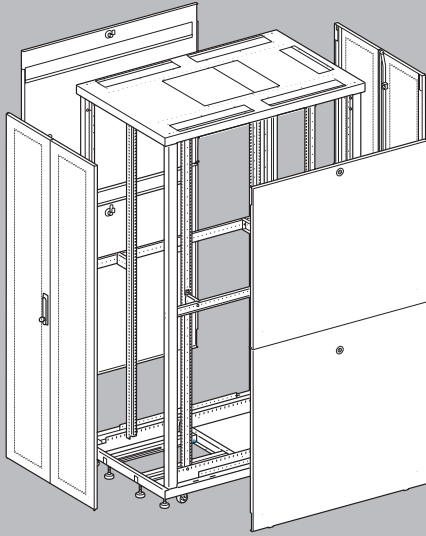


### ■ Roof options

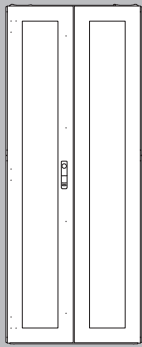


# Linkeo Data Center 19" server cabinets (continued)

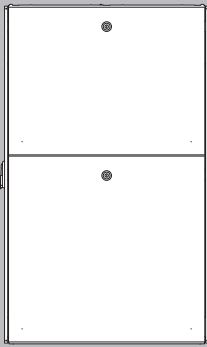
## Views



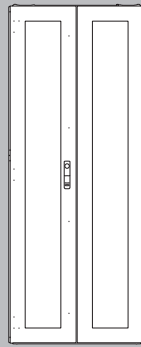
Iso view



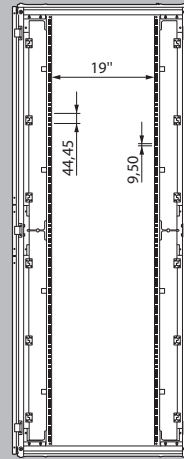
Front view



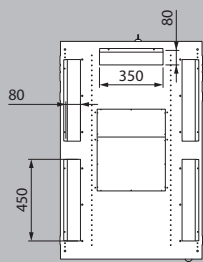
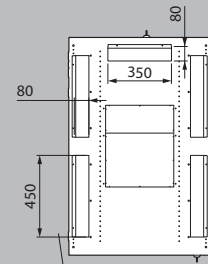
Side view



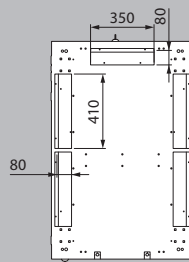
Rear view



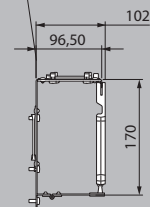
Front view



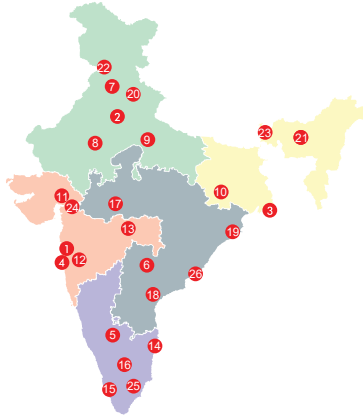
Top view



Bottom view



Organiser



## Head offices

- 61 & 62, 6<sup>th</sup> Floor,  
Kalpataru Square, Kondivita Road,  
Off Andheri-Kurla Road, Andheri (E),  
**MUMBAI** – 400 059.  
Tel.: (022) 3041 6200  
Fax : (022) 3041 6201  
Website : [www.legrand.co.in](http://www.legrand.co.in)

## Regional sales offices

- B-225, 4<sup>th</sup> Floor, Okhla Industrial Area, Phase -1,  
**NEW DELHI** – 110020.  
Tel.: (011) 3990 2200, 2699 0046,  
(011) 2699 0028 / 29 / 30 / 31  
Fax : (011) 2699 0047 [INNOVAL](#)
- Bhakta Towers, 2<sup>nd</sup> & 3<sup>rd</sup> Floor,  
Plot No. KB 22, Sector-III, Saltlake,  
**KOLKATA** – 700 098.  
Tel.: (033) 4021 3535
- C/203, Corporate Avenue, Atul Projects,  
Near Mirador Hotel, Chakala,  
Andheri - Ghatkopar Link Road,  
Andheri - (E), **MUMBAI** – 400 099.  
Tel.: (022) 6230 1000 [INNOVAL](#)
- Ferozes Manor, Situated at 58  
Hospital Road, Shivaji Nagar,  
**BANGALORE** – 560 001.  
Tel.: (080) 80682 20000 [INNOVAL](#)
- Prestige Phoenix, 1<sup>st</sup> Floor,  
Next to Lifestyle Building,  
Begumpet, Hyderabad,  
**TELANGANA** – 50001 [INNOVAL](#)
- Unit No. 203, Tower B Bestech  
Business Towers, Sector-66, Mohali,  
**CHANDIGARH** – 160 017.  
Tel.: (0172) 5019 008 [INNOVAL](#)
- Building No-128, Mansarovar Link Road,  
Gopalpura Bypass, Mohan Nagar,  
Near Ridhi Sidhi Flyover, **JAIPUR** – 302018  
Tel.: 0141-2208665 [INNOVAL](#)
- 209-A, 2<sup>nd</sup> Floor, Cyber Heights,  
Opp. Indira Gandhi Pratishthan,  
Vibhuti Khand, Gomti Nagar,  
**LUCKNOW** – 226 010.  
Tel.: (0522) 431 9316 [INNOVAL](#)
- 202 & 203, Sunrise, Forum 100,  
Burdwan Compound, Lalpur,  
**RANCHI** – 834 001.  
Tel.: (651) 660 5400
- A 101-102, Mondeal Heights,  
Besides Novotel Hotel, Sarkhej  
Gandhinagar Highway (S G Highway),  
**AHMEDABAD** – 380 015.  
Tel.: (079) 6134 0555 [INNOVAL](#)
- 8<sup>th</sup> Floor, Pinnacle Park Avenue,  
Opp. Law College, Law College Road  
Next To German Bakery,  
Shivaji Nagar, **PUNE** – 411004.  
Tel.: (020) 6729 5601 / 600 [INNOVAL](#)
- Plot No.95, 2<sup>nd</sup> Floor, Shreyash  
Heights, VIP Road, Ramdaspath,  
**NAGPUR** – 440 010.  
Tel.: (0712) 2440 900
- 10 B, Prestige Center Court, Office Block,  
Vijaya Forum Mall, #183,N.S.K. Salai,  
Vadapalani, **CHENNAI** – 600 026.  
Tel.: (044) 6612 2800 [INNOVAL](#)
- J. B. Manjooran Estate,  
Door No. 50/1107 A9, 3<sup>rd</sup> Floor,  
Bye Pass Junction, Edappally,  
**COCHIN** – 682 024.  
Tel.: (0484) 6604 700 [INNOVAL](#)
- B-5, 1<sup>st</sup> Floor, Thirumalai Towers,  
723, Avanashi Road,  
**COIMBATORE** – 641 018.  
Tel.: (0422) 668 3200 [INNOVAL](#)
- 204-205, Megapolis Square,  
579, M G Road,  
**INDORE** – 452 001.  
Tel.: (0731) 4999 891
- MF-2, Datta's Lords House,  
Jammi Chettu Street, Mogalrajapuram,  
**VIJAYAWADA** – 520 010.  
Tel.: (0866) 248 2393/6393

- Plot No. 359, Saheed Nagar,  
2<sup>nd</sup> Floor,  
**BHUBANESWAR** – 751 007.  
Tel.: (0674) 254 0623
- Unit - 1 & 2, Vijay Park,  
Main Chakrata Road,  
**DEHRADUN** – 248 001.  
Uttarakhand.  
Tel.: (0135) 661 6100 [INNOVAL](#)
- House No. 97, Ground Floor,  
Rajgarh Main Road,  
Opp. City Heart Nursing Home,  
**GUWAHATI** – 781 007.

## Area offices

- Cabin No. 9, 2<sup>nd</sup> Floor,  
Madhok Trade Centre,  
Madhok Complex, Ferozpur Road,  
**LUDHIANA** – 141 001.  
Tel.: (0161) 277 0301
- 94, Udhm Singh Sarani,  
Ground Floor, Ashrampara,  
**SILIGURI** – 734 001.  
Tel.: (353) 264 1067
- A-207, Universal Business  
Center, Near Madhuvan Circle,  
L.P. Savani Road, Adajan,  
**SURAT** – 395 009.  
Tel.: (0261) 263 3861 [INNOVAL](#)
- Aparna Towers, 1<sup>st</sup> Floor, 2/3,  
Bypass Road,  
**MADURAI** – 625 010.  
Telefax : (0452) 230 8414
- 43-9-205, 3<sup>rd</sup> Floor, Plot No. 10,  
Subbalakshmi Nagar,  
Opp. More Super Market,  
**VISAKHAPATNAM** – 530 016.  
Tel.: (0891) 273 5652 / 2739363 [INNOVAL](#)

## Technical assistance from Legrand

Telephonic technical assistance for selection of products, technical information, guidance, wiring diagrams and estimation is now made available to you at each Regional Office. Contact the Technical Officer of Legrand at the following telephone numbers

- New Delhi** : Tel.: (011) 2699 0028, 3990 2200  
**Kolkata** : Tel.: (033) 4021 3535 / 36  
**Mumbai** : Tel.: (022) 6230 1000  
**Chennai** : Tel.: (044) 6612 2800  
**Hyderabad** : Tel.: (040) 4567 1717

For other places, contact the nearest  
Regional / Branch / Area offices

[customer.care@legrand.co.in](mailto:customer.care@legrand.co.in)



LIVE THE ADVANTAGE