

LEGRAND CABLING SYSTEM²

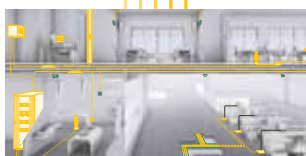
PERFORMANCE

FROM TECHNICAL ROOM
TO WORKSTATION

 **legrand**[®]



LEGRAND CABLING SYSTEM²



Solutions from technical room to workstation

See pages 04 to 15



LCS² copper

See pages 16 to 23



LCS² fibre optic

See pages 24 to 29



LCS² enclosures

See pages 30 to 39



LCS² workstation

See pages 40 to 49



LCS² services

See pages 50 to 53

Catalogue references

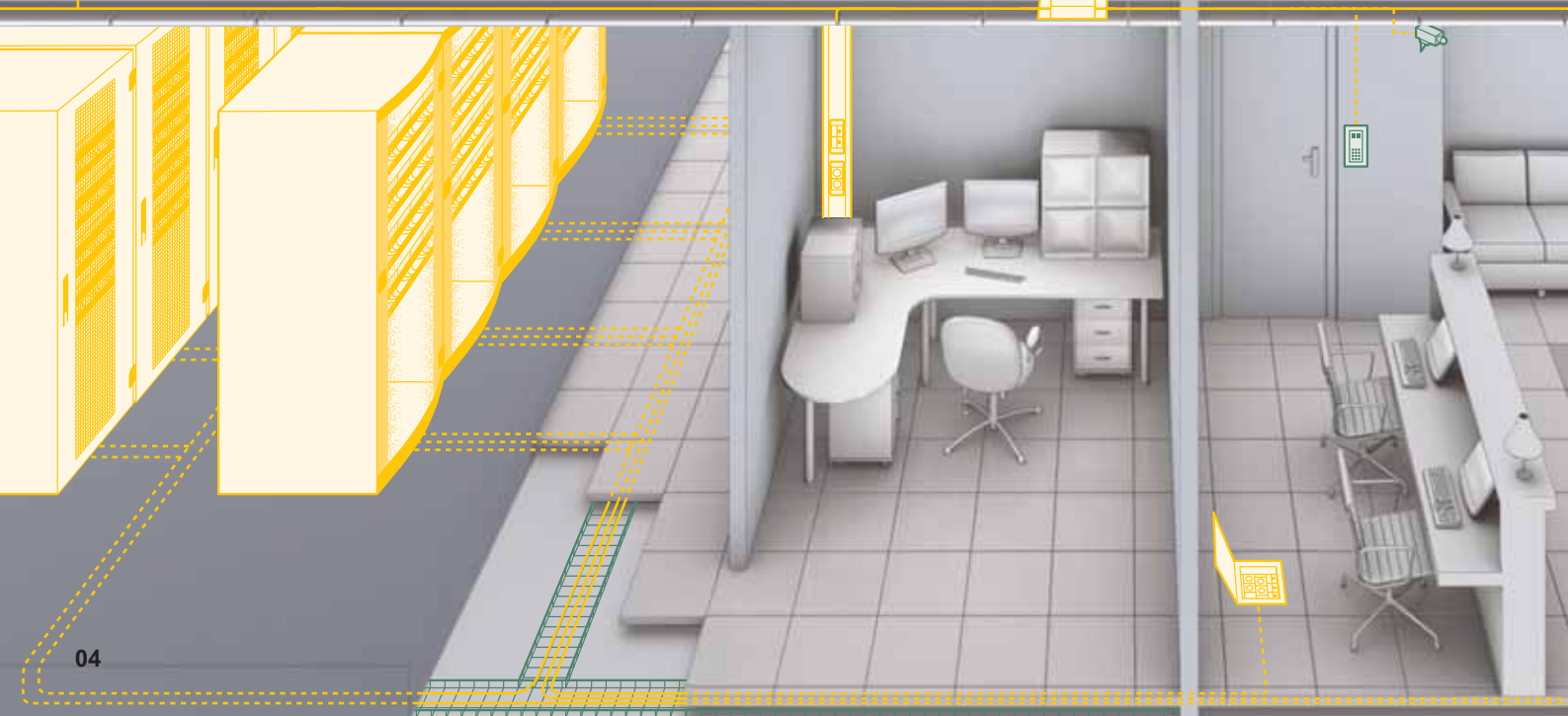
See pages 54 to 106

catalogue number index

Cat.No.s	Page No	Pack	Cat.No.s	Page No	Pack	Cat.No.s	Page No	Pack	Cat.No.s	Page No	Pack	Cat.No.s	Page No	Pack	Cat.No.s	Page No	Pack									
0090 00			0326 24	77	1	0330 72	81	3	0335 33	74	2	0462 31	91	1	0464 80	89	1									
0097 99	87	10	25	-	1	73	-	3	34	72	1	42	-	1	81	-	1									
0300 00			26	-	1	75	-	3	35	-	1	43	-	1	82	84	1									
0325 00	76	2000	27	-	1	76	-	3	36	-	1	55	90	1	83	87	1									
01	-	2000	37	72	1	77	-	3	37	-	1	60	-	1	84	-	1									
04	-	2000	44	77	1	78	-	3	38	-	1	64	-	1	85	-	1									
05	-	2000	45	73	10	80	-	3	39	-	1	70	91	1	86	-	1									
06	-	2000	46	-	10	81	-	3	40	60	1	0463 00 85 1			87	86	1									
07	-	2000	47	-	10	82	-	3	40	64	1	06	-	1	88	-	1									
08	-	2000	48	-	10	0331 00 77 10		44	-	1	45	-	1	12	-	1	89	-	1							
09	-	2000	49	-	10	06	-	10	45	-	1	18	-	1	90	-	1	0465 00 88 1								
10	-	2000	50	69	305	07	-	10	46	-	1	19	-	1	00	90	1	01	88	1						
11	-	2000	51	-	305	08	-	10	51	68	1	21	-	1	01	90	1	01	90	1						
12	-	2000	52	-	305	09	-	10	52	-	1	22	-	1	02	88	1	05	-	1						
13	-	2000	53	-	305	10	-	10	54	-	2	23	-	1	06	-	1	07	-	1						
14	-	2000	54	63	305	11	-	10	55	-	2	28	-	1	08	-	1	09	-	1						
15	-	2000	55	-	305	12	-	10	56	-	1	29	-	1	10	-	1	11	-	1						
50	-	2000	56	-	500	13	-	10	57	-	1	30	-	1	12	-	1	13	-	1						
51	-	2000	57	-	500	27	-	10	58	-	1	33	-	1	17	84	1	18	-	1						
52	-	2000	58	-	500	35	89	1	59	-	1	34	-	1	19	88	1	22	89	1						
53	-	2000	59	-	500	47	77	10	66	-	2	35	-	1	23	-	1	28	86	1						
54	-	2000	60	73	1	51	81	3	73	58	1	37	-	1	29	-	1	30	-	1						
55	-	2000	63	69	500	52	-	3	76	-	2	38	-	1	31	-	1	32	-	1						
58	-	2000	74	-	500	53	-	3	79	74	1	39	-	1	33	-	1	38	-	1						
59	-	2000	76	63	500	57	-	3	88	68	1	52	-	1	39	-	1	40	-	1						
60	-	2000	77	59	500	58	-	3	89	62	1	58	-	1	41	89	4	42	-	4						
69	79	1	78	-	500	58	-	3	90	58	1	59	-	1	45	88	1	47	72	87	1					
70	-	1	80	83	1	93	77	1	91	-	10	60	-	1	53	-	1	54	-	1						
71	-	1	81	-	1	97	-	1	92	91	1	61	-	1	55	-	1	56	-	1						
72	-	1	83	73	10	0332 60 65 1		93	79	1	93	79	1	62	-	1	57	-	1	58	-	1				
73	-	1	0328 50 69 500		61	-	1	94	-	8	0347 95 84 20			63	-	1	59	-	1	64	-	1				
74	-	1	51	-	500	62	73	1	0348 48 86 1			64	-	1	65	-	1	66	-	1	67	-	1			
75	-	1	52	-	500	79	88	1	0364 53 89 1			68	-	1	68	-	1	69	89	1	70	-	1			
76	-	1	53	-	500	80	74	1	54	-	1	69	-	1	71	-	1	72	-	1	73	-	1			
77	-	1	54	-	500	81	72	1	0365 80 87 20			74	-	1	75	-	1	76	-	1	77	-	1			
78	-	1	55	-	500	91	-	1	81	-	20	78	-	1	78	-	1	79	-	1	80	-	1			
79	-	1	56	63	305	93	-	1	82	-	1	79	-	1	81	-	1	82	-	1	83	-	1			
0326 00 80 3			57	-	305	0335 01 72 1		0365 80	87	20	0400 00			84	-	1	85	84	1	86	-	1	87	-	1	
01	-	3	58	-	500	02	-	1	81	-	20	01	-	1	86	-	1	87	-	1	88	-	1	89	-	1
02	-	3	59	-	500	05	-	1	82	-	1	02	-	1	89	-	1	90	-	1	91	-	1	92	-	1
03	-	3	61	-	500	06	-	1	0462 00 90 1			91	-	1	93	-	1	94	-	1	95	-	1	96	-	1
04	-	3	62	-	500	07	-	1	03	-	1	95	-	1	97	-	1	98	-	1	99	-	1	100	-	1
05	-	3	63	-	500	10	78	1	06	-	1	99	-	1	101	-	1	102	-	1	103	-	1	104	-	1
06	-	3	71	-	1000	11	-	1	07	-	1	105	-	1	105	-	1	106	-	1	107	-	1	108	-	1
07	-	3	72	-	1000	12	72	1	08	-	1	109	-	1	110	-	1	111	-	1	112	-	1	113	-	1
08	-	3	73	-	1000	13	-	1	09	-	1	114	-	1	115	-	1	116	-	1	117	-	1	118	-	1
09	-	3	74	-	1000	16	-	1	10	-	1	119	-	1	120	-	1	121	-	1	122	-	1	123	-	1
10	-	3	77	59	500	17	-	1	11	-	1	124	-	1	125	-	1	126	-	1	127	-	1	128	-	1
11	-	3	88	74	1	18	-	1	12	-	1	129	-	1	130	-	1	131	-	1	132	-	1	133	-	1
12	-	3	91	-	1	19	-	1	13	-	1	134	-	1	135	-	1	136	-	1	137	-	1	138	-	1
13	-	3	0329 07 79 1		20	80	1	21	75	1	14	-	1	139	-	1	140	-	1	141	-	1	142	-	1	
14	-	3	0330 48 77 1		22	-	1	22	-	1	15	-	1	143	-	1	144	-	1	145	-	1	146	-	1	
15	-	3	49	-	1	24	-	1	25	-	1	16	-	1	147	-	1	148	-	1	149	-	1	150	-	1
16	-	3	61	81	3	26	-	1	26	-	1	17	-	1	151	-	1	152	-	1	153	-	1	154	-	1
17	-	3	62	-	3	27	-	1	27	-	1	18	-	1	155	-	1	156	-	1	157	-	1	158	-	1
20	77	1	63	-	3	28	-	1	28	-	1	19	-	1	159	-	1	160	-	1	161	-	1	162	-	1
21	-	1	65	-	3	29	-	1	29	-	1	20	91	1	163	-	1	164	-	1	165	-	1	166	-	1
22	-	1	69	-	3	30	74	1	30	74	1	21	-	1	167	-	1	168	-	1	169	-	1	170	-	1
23	-	1	70	-	3	31	-	1	31	-	1	22	-	1	171	-	1	172	-	1	173	-	1	174	-	1
			71	-	3	32	-	2	32	-	1	23	-	1	175	-	1	176	-	1	177	-	1	178	-	1
			0500 00															0515 00	70	4						

Cat.Nos	Page No	Pack	Cat.Nos	Page No	Pack	Cat.Nos	Page No	Pack	Cat.Nos	Page No	Pack	Cat.Nos	Page No	Pack	Cat.Nos	Page No	Pack
0515 01	70	4	0518 57	63	1	0765 91	66	10	5727 76	82	1/20	5757 11	94	10/100	6000 00		
02	-	4	58	-	1	92	67	10	78	-	1/20	12	-	10/100	6339 10	88	1
03	-	4	59	-	1	93	-	10	79	-	1/20	20	93	10/100	11	-	1
04	-	4	60	-	1	94	66	5	81	-	1/20	21	94	10/100	12	65	10
05	-	4	61	-	1	95	67	5	82	-	1/20	22	-	10/100	13	-	10
10	64	4	62	-	1	96	-	5	85	-	1/20	30	93	5/50	14	-	10
11	-	4	63	-	1	97	71	5	88	-	1/20	31	94	5/50	15	-	10
12	-	4	64	-	1				89	-	1/20	32	-	5/50	16	-	10
13	-	4	65	-	1	0775 41	88	1				40	93	5/50	17	-	10
14	-	4	66	59	5				5728 06	61	10	41	94	5/30	24	-	1
15	-	4	67	-	5	0778 80	73	1	22	66	10	42	-	5/30	25	-	1
			68	-	5	81	-	1	24	-	10	50	93	5/50	26	-	1
0516 36	69	1	69	-	5				30	70	10	51	94	5/30	27	-	1
37	-	1	70	-	5	0779 13	75	1	31	65	10	52	-	5/30	28	-	1
38	-	1	71	-	5	14	-	1	32	70	10	60	93	2/20	29	-	1
39	-	1	72	-	5	30	83	1	33	65	10	61	94	2/20	68	-	5
40	-	1	73	-	5				35	73	10	62	-	2/20	69	-	1
41	-	1				0786 16	79	1	36	-	10	70	93	2/16	70	-	1
42	-	1	0533 00	73	3	17	-	1	39	66	1	71	94	2/16	71	-	1
43	-	1	01	-	3	18	-	1	50	61	5	72	-	2/16	72	-	1
			02	-	3				51	-	10	80	93	2/16	73	-	1
0517 01	73	50	03	-	3				52	-	10	81	94	2/16			
02	-	50				0900 00			53	66	5	82	-	2/16			
03	-	50	0539 49	73	5	0919 45	73	1	54	-	10	90	93	2/12	6348 00	92	1
04	-	50							55	-	10	91	94	2/12	01	-	1
06	-	50				5000 00			70	83	1	92	-	2/12	02	-	1
07	-	50							76	75	1				04	-	1
09	-	1				0695 56	71	1/20	77	-	1	5758 00	93	2/12	05	-	1
20	83	1	57	-	1/20	5720 83	74	1	78	-	1	01	94	2/12	06	-	1
22	-	1	79	73	1	84	-	1	83	74	1	02	-	2/12	07	-	1
40	72	10	80	-	10	85	-	1	84	-	1				08	-	1
41	-	10	81	71	1				85	-	1	5759 00	93	10/100	10	-	1
52	63	5				5722 71	82	1/20				01	94	10/100	11	-	1
53	-	5				72	-	1/20	5732 72	82	1/20	02	-	10/100	15	-	1
54	-	5				73	-	1/20	73	82	1/20	10	93	10/100	16	-	1
55	-	5				74	-	1/20				11	94	10/100	17	-	1
57	64	4	0765 01	71	10	76	-	1/20	5734 28	66	20	12	-	10/100	18	-	1
58	-	4	02	-	5	78	-	1/20	29	71	20	20	93	5/50			
59	-	4	03	66	1	79	-	1/20	30	-	10	21	94	5/50	6745 51	96	20/200
62	63	1	04	-	1	81	-	1/20	32	61	20	22	-	5/50	52	-	20/200
63	-	1	05	67	10	82	-	1/20	34	66	10	30	93	5/30	53	-	10/100
64	-	1	06	-	5	85	-	1/20	74	-	10	31	94	5/30	54	-	5/50
65	-	1	22	-	10	88	-	1/20	75	71	10	32	-	5/30	56	-	5/50
72	-	1	23	-	10	89	-	1/20	76	66	10	40	93	2/20	57	-	5/50
73	-	1	24	61	10				77	-	10	41	94	2/20	58	-	5/50
74	-	1	25	-	10	5723 22	66	10				42	-	2/20	59	-	10
75	-	1	30	71	1	24	-	10	5736 28	66	20	50	93	2/16	60	-	10
80	59	5	33	67	1/10	30	70	10	29	71	20	51	94	2/16	92	-	5/25
81	-	5	35	73	10	31	65	10	30	-	10	52	-	2/16			
82	-	5	36	-	10	32	70	10	34	66	10				6890 07	96	40
83	-	5	37	-	10	33	65	10	74	-	10	5762 98	95	1/5/30	08	-	40
90	70	4	38	-	10	35	73	10	75	71	10				09	-	40
91	-	4	39	-	10	36	-	10	76	66	10	5763 08	95	1/5/30	10	-	40
92	-	4	41	71	5	39	66	1	77	-	10	18	-	1/5/30	11	-	10
93	-	4	42	-	5	50	61	5				28	-	1/20	12	-	10
94	-	4	44	66	5	51	-	10	5737 72	82	1/20	38	-	1/20	31	-	20
95	-	4	46	67	5	52	-	10	73	-	1/20	48	-	1/20	42	-	40
96	64	4	51	71	10	53	66	5				58	-	1/20			
97	-	4	52	-	10	54	-	10	5744 01	82	1/20	68	-	1/5			
98	-	4	54	-	10	55	-	10	51	-	1/20	88	-	1/5			
			55	-	10	70	83	1	5745 01	82	1/20	98	-	1/5			
			61	66	10	76	75	1	51	-	1/20				6764 08	95	1/5
			62	67	10	77	-	1	5757 00	93	10/100	5765 80	93	5/30			
0518 50	63	1	63	-	10	78	-	1	01	94	10/100	81	94	5/30			
51	-	1	64	66	10				02	-	10/100	82	-	5/30			
52	-	1	65	67	10	5727 71	82	1/20									
53	-	1	66	-	10	72	-	1/20	5745 01	82	1/20						
54	-	1	66	-	10	73	-	1/20	51	-	1/20						
55	-	1	73	61	10	74	-	1/20									
56	-	1	76	-	10				10	93	10/100						

Bold catalogue numbers are products normally available with Legrand (India) stockists.
Cat. nos. that are not bold - delivery within 4 - 8 weeks from the date of order.
Bold packing quantity is our mandatory packing. Orders to be placed by Legrand (India) stockists in multiples of the same.





LCS²

from technical room to workstation

■ LCS² Cabling system products

Complete systems with a 20-year guarantee.

The new LCS² cat. 6A (up to 500 MHz), cat. 6 (up to 250 MHz) and cat. 5e (up to 100 MHz) systems have been designed as coherent entities to optimise their performance.

The systems are suitable for optical fibre cables as well as copper cables.

See pages 14 to 47

■ Legrand Synergies

The new LCS² systems integrate perfectly in the various other Legrand solutions: DLP trunking system, cabling accessories, cable management, etc.

See pages 40 to 41

Towards network convergence.

The IP convergence products (IP telephony, IP remote monitoring, IP access control) can also be a part of the LCS² systems.



LCS2
APPLICATION
EXAMPLE

OFFICE



Area distribution box



RJ 45 socket



Access control



Patch panel





LCS²
APPLICATION
EXAMPLE
**MALL
CENTER**



DLP Trunking



Cablofil



LCS2



Cabling unit



Fibre optic socket





LCS²
APPLICATION
EXAMPLE

CAMPUS



AVS socket



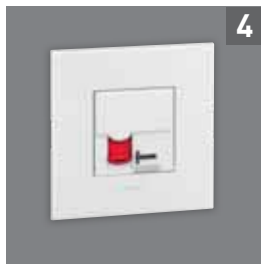
DLP trunking system



LCS2



Wi-Fi access point



RJ 45 with controlled access





LCS²
APPLICATION
EXAMPLE

HOTEL



RJ 45 sockets 45°



Retractable RJ 45 socket



Patch cord



19" wall-mounting cabinet



System guaranteed performance of the Legrand systems

Measurements of LCS² components and links, validated by independent laboratories 3 P Third Party Testing and ETL, have highlighted its triple performance.

Performance of the transmission in cat. 6A, performance of the installation, performance of the maintenance.



1 Performance of the transmission in cat. 6A

For long distance, 10 Giga guarantees only slight signal loss for 100 m. For short distance, 10 Giga guarantees a good echo resistance for 15 m.

2 Performance of the installation





The values measured widely exceed the requirements of the ISO 11801 standard, Edition 2, amendment 2, thus providing a safety margin to conform to the most rigorous constraints of the installation.

3 Performance of maintenance

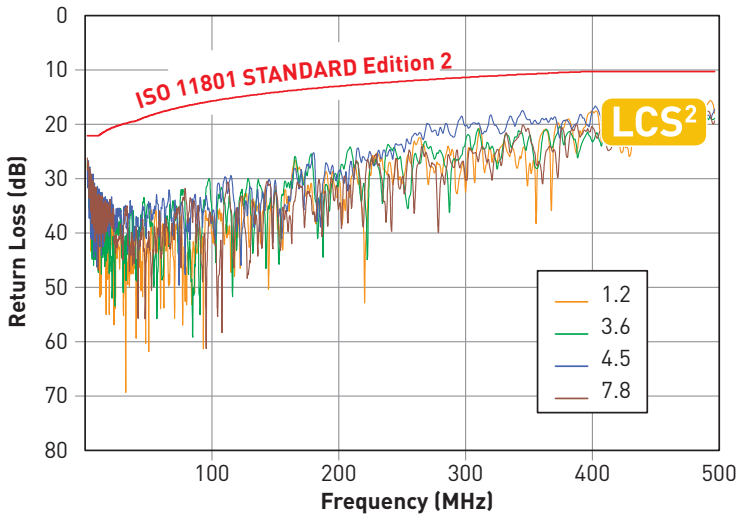
Being committed to deliver a durable LCS² system, Legrand gives a 20-year guarantee on its performance.



Note: all LCS² products are RoHS compliance.

Category 6A	Network protocol supported	COMPONENT MEASUREMENT		LINK MEASUREMENT (CHANNEL)	
		STP		Class EA / cat. 6A	
		500 MHz	250 MHz	500 MHz	250 MHz
		10 Giga	1 Giga	10 Giga	1 Giga
 Attenuation (dB) Loss of signal	LCS ² ISO 11801 Standard, Edition 2, Amendment 2 ⁽²⁾ TIA/EIA-568-C.2	0.13 0.45 min. 0.45 max.	0.06 0.32 max. 0.32 max.	35.4 42.1 max. 49.3 max.	24.1 28.9 max. 33.9 max.
 Return Loss (dB) Echo resistance	LCS ² ISO 11801 Standard, Edition 2, Amendment 2 ⁽²⁾ TIA/EIA-568-C.2	17.05 14 min. 14 min.	26.59 20 min. 20 min.	16.4 8 min. 6 min.	22.1 10 min. 8 min.
 Next (dB) Resistance to interference between pairs⁽¹⁾	LCS ² ISO 11801 Standard, Edition 2, Amendment 2 ⁽²⁾ TIA/EIA-568-C.2	37.46 37 min. 34 min.	56.93 46 min. 46 min.	38.1 29.2 min. 26.1 min.	54 35.3 min. 33.1 min.
 ACR-N (dB) (Alien Crosstalk Ratio) Actual power supplied	LCS ²	37.33	56.87	2.7	29.9

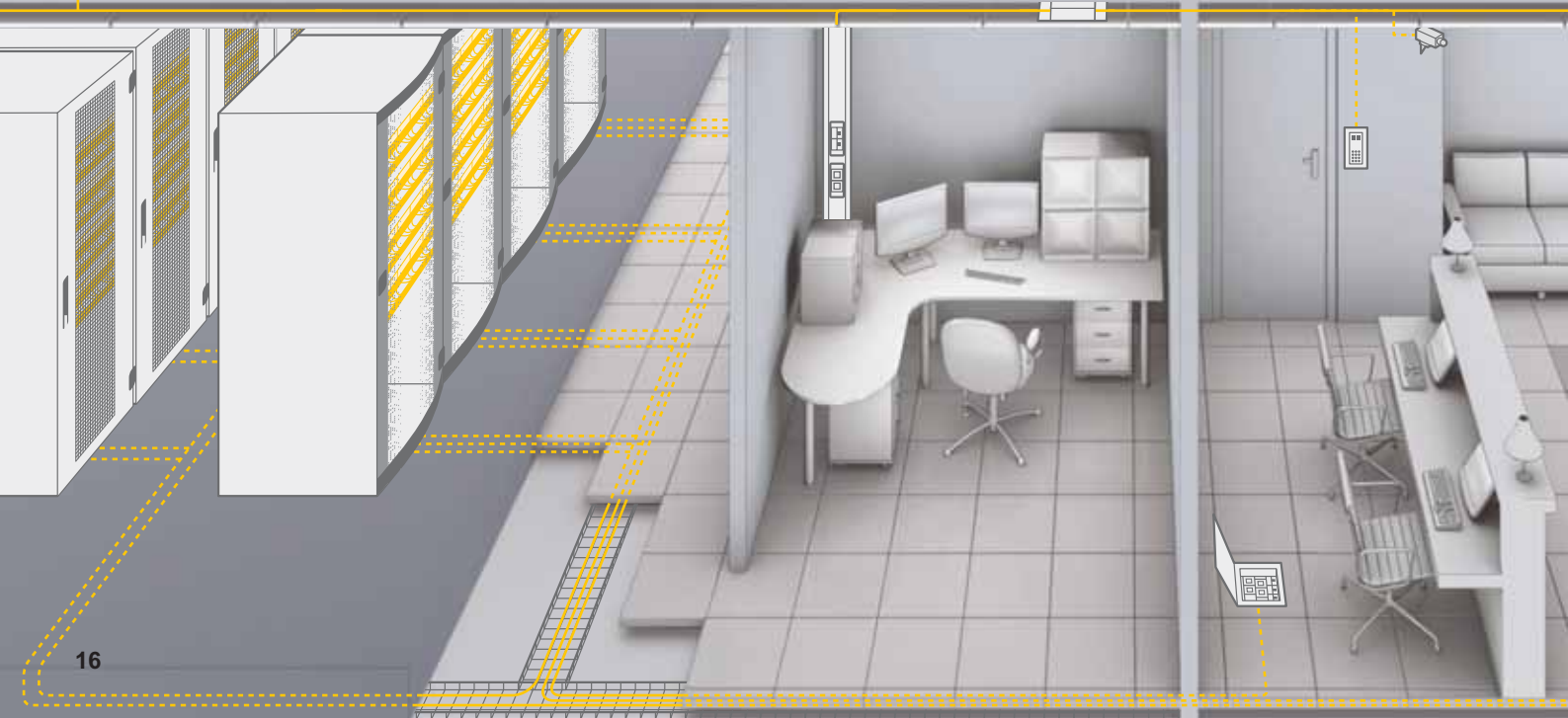
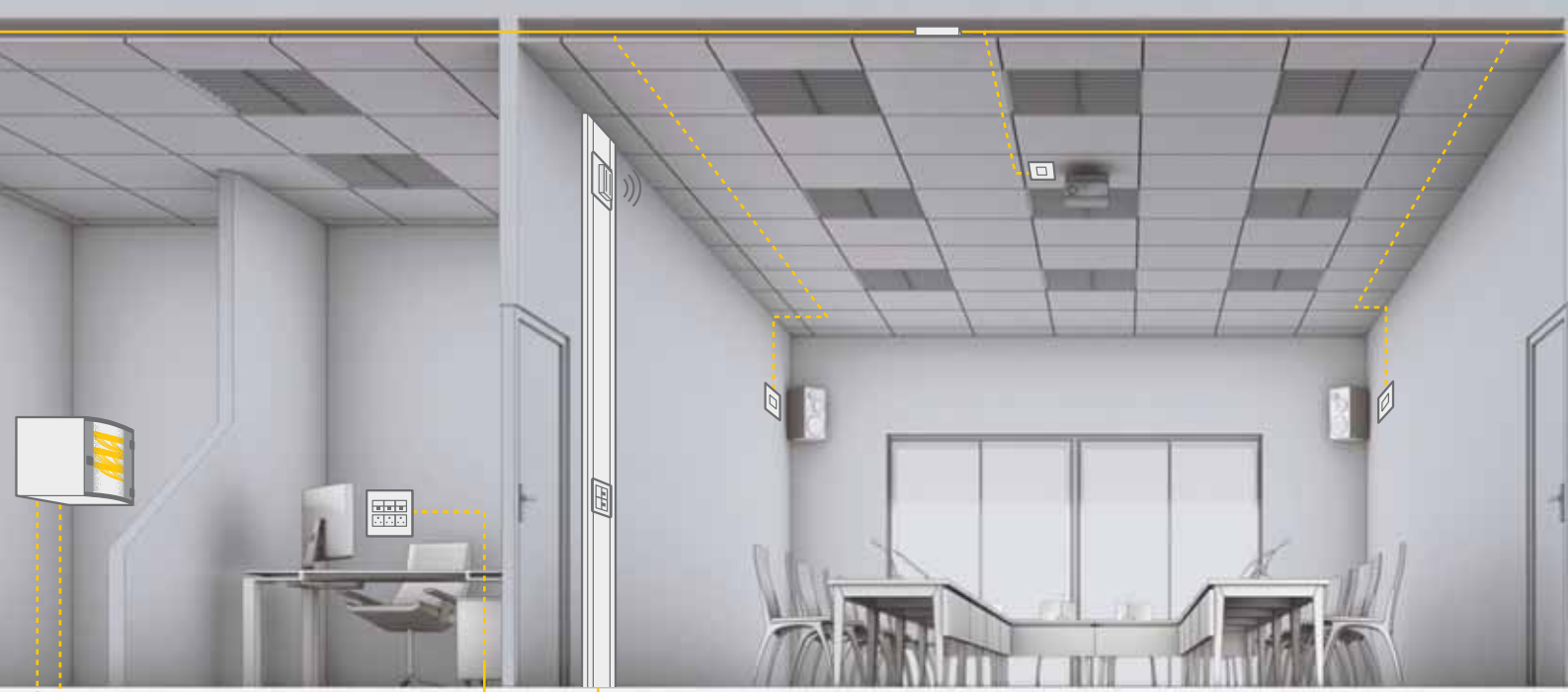
(1) Measurements taken on the 3-6 and 4-5 pairs (2) Values taken from the draft of the ISO 11801 standard Edition 2 amendment 2



Measurement of the Return Loss on a class E_A link
 On each pair, the performances of LCS² are significantly higher than the values required by the ISO 11801 Standard, Edition 2, amendment 2.

Category 6	Network protocol supported	COMPONENT MEASUREMENT			LINK MEASUREMENT (CHANNEL)
		STP	FTP	UTP	Class E / cat. 6
		250 MHz	250 MHz	250 MHz	250 MHz
		1 Giga	1 Giga	1 Giga	1 Giga
Attenuation (dB) Loss of signal	LCS ² ISO 11801 Standard, Edition 2, Amendment 2 ⁽²⁾ TIA/EIA-568-C.2	0.09 0.32 max.	0.09 0.32 max.	0.09 0.32 max.	25.7 30.7 max. 35.9 max.
Return Loss (dB) Echo resistance	LCS ² ISO 11801 Standard, Edition 2, Amendment 2 ⁽²⁾ TIA/EIA-568-C.2	29.8 16 min. 16 min.	29.8 16 min. 16 min.	29.8 16 min. 16 min.	38.8 10 min. 8 min.
Next (dB) Resistance to interference between pairs ⁽¹⁾	LCS ² ISO 11801 Standard, Edition 2, Amendment 2 ⁽²⁾ TIA/EIA-568-C.2	51.3 46 min. 46 min.	51.3 46 min. 46 min.	51.3 46 min. 46 min.	53.9 35.3 min. 33.1 min.
ACR-N (dB) (Alien Crosstalk Ratio) Actual power supplied	LCS ²	51.21	51.21	51.21	28.2

(1) Measurements taken on the 3-6 and 4-5 pairs (2) Values taken from the draft of the ISO 11801 standard Edition 2 amendment 2





LCS² COPPER

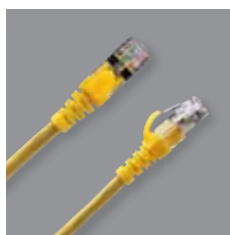
A complete system up to 10 Gbits/s



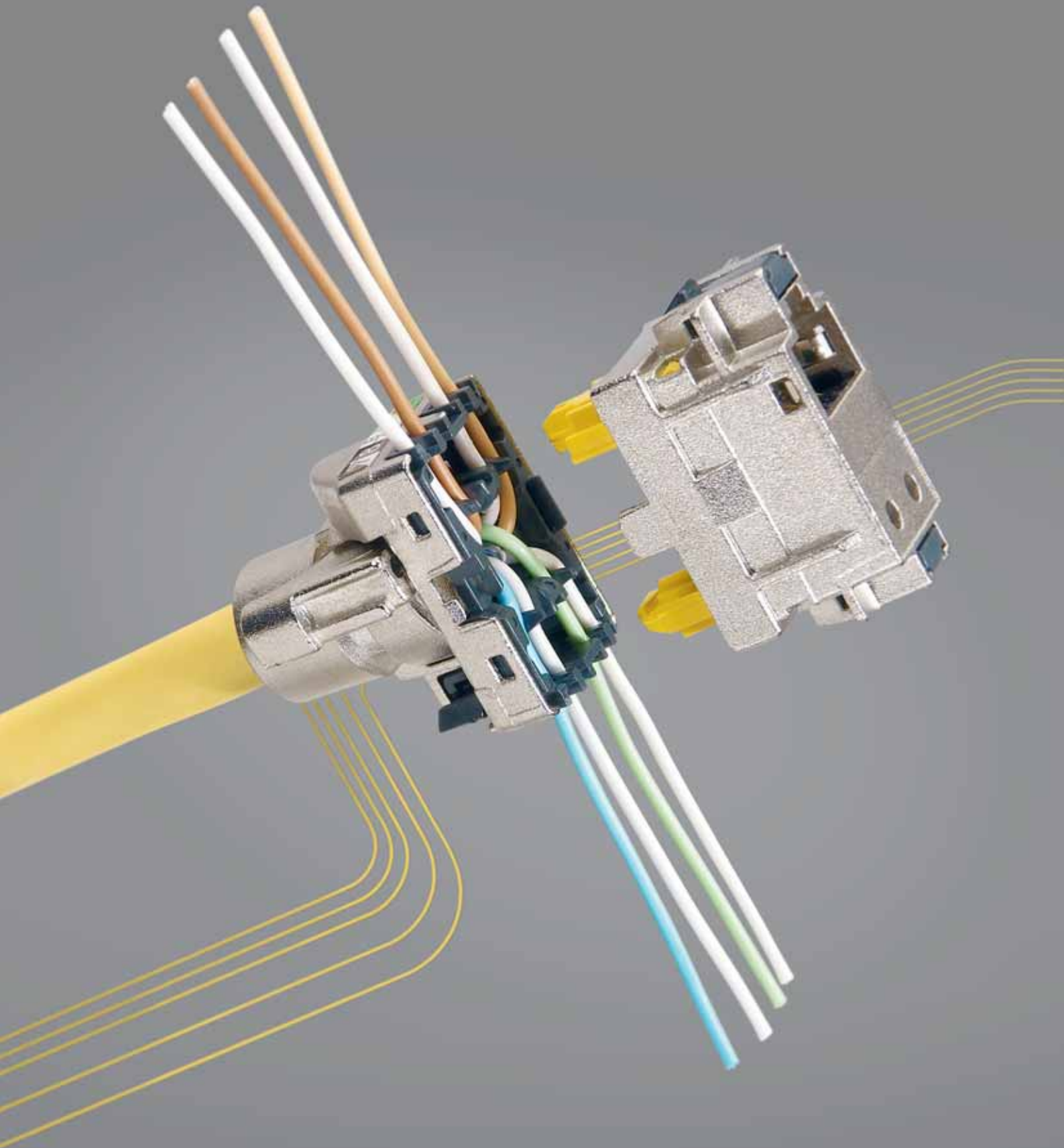
Connectors
See page 18 to 19



Patch panels
See page 20 to 21



Patch cords and cables
See page 22 to 23

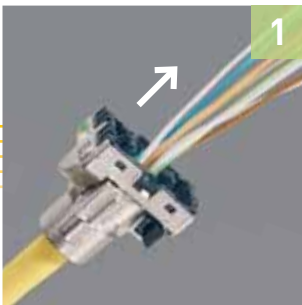


New LCS² connector

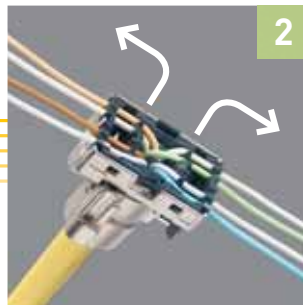
Performance of the installation

The new LCS² RJ 45 connector is the core element contributing to the performance of the LCS² system.

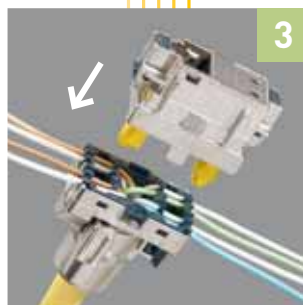
You can obtain a perfect connection within a few seconds guaranteeing an optimum performance of the link from the patch panel to the RJ 45 socket (see page 14).



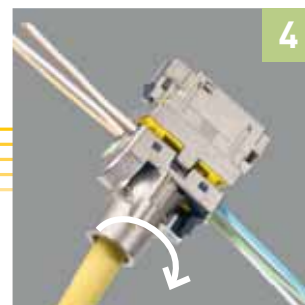
Insert the cable in the rear part
 Visibility of the marking as per the EIA/TIA code.
 Takes all cables currently available on the market: U/UTP, F/UTP and SF/UTP.



Separate and insert the strands
 Intuitively maintain 13 mm, no need to measure.



Add the upper part of the connector
 The tamperproof insert gives ease of movement.



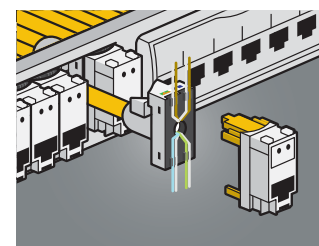
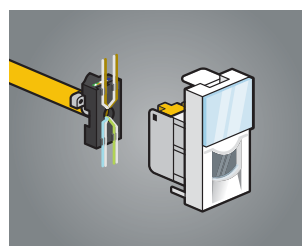
Turn to guarantee the connection
 Simply turn to flatten the strands simultaneously. Cut them, and the connector is ready!

Performance all categories

Thanks to the connectors
 LCS² cat. 6A shielded 360° 500 MHz - 10 Gbits/s.
 LCS² cat. 6 shielded 360° 250 MHz - 1 Gbits/s.
 LCS² cat. 6 shielded and unshielded 250 MHz - 1 Gbits/s.
 LCS² cat. 5e shielded and unshielded.

2 ergonomic options

- Workstation.
- Patch panels.





LCS² Patch panels

Performance of maintenance

The design of the new LCS² patch panels optimises the mounting and maintenance.

Maintaining the cables with cable guides, blocks of 6 RJ 45 connectors, clipping and unclipping each connector from the front panel.



Better fixing by clamp
Cable maintained in its cable guide.



Room for maintenance
Simple unclipping of LCS² connectors.



Panels provided with quick-fixing system
Universal mounting any rack or cabinets.

The new LCS² panels can also be fitted with:



Telephone block



FC type video broadcast block



LC fibre optic cassette

Legrand cables and cords coherence and performance

To ensure total coherence of its LCS² cat. 6A, cat. 6 and cat. 5e systems,

Legrand offers a range of 4 twisted pair cables
in the four types: U/UTP, F/UTP, S/FTP, SF/UTP.

■ High-quality manufacturing

Manufactured to high quality standards,
with thicker insulation to reduce the effects
of crosstalk, and reduction of the twist pitch of the pairs:
the quality of Legrand cables is suitable for the LCS²
category 6A, category 6 and category 5e systems,
ensuring high performance from the patch panel right
through to the RJ 45 socket. What's more, Legrand offers
its cables in 2 versions with sheaths suitable for different
environments: LSZH and PVC. The 3P laboratory
has certified all the Legrand cables to be compliant
with the ISO IS 11 801, EN 50173-1 standards
and TIA/EIA-568-C.2.



Legrand cat. 6A F/UTP cable.

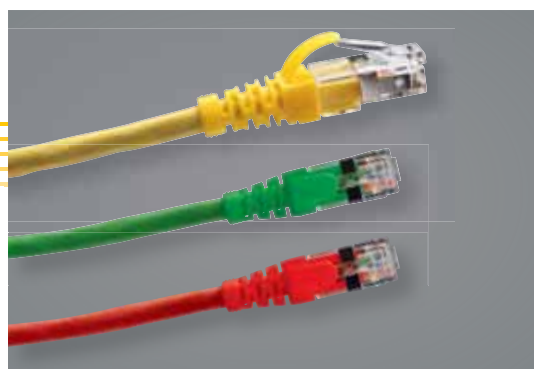


Legrand cat. 6 F/UTP cable.



Legrand cat. 6 SF/UTP cable.

	SHEATH	MARKING	STORAGE/TRANSPORT TEMPERATURE	OPERATING TEMPERATURE
CAT. 7 S/FTP CABLE 100 OHMS	LSZH in accordance with NFC 32062 with flame retardant effect in accordance with IEC 60332-1 & NFC 32070 2.1 Ø 7.5 mm - Colour yellow RAL 1018	LEGRAND 32777 4 pair 23 AWG S/FTP 100 ohms LSZH CAT. 7 900 MHz - VERIFIED TO ISO 11801 IEC 60332-1 EN 50173 - TIA/EIA 568B - VPN/NVP% Batch no. + length in metres	0 to +50 °C	-20 to +60 °C
CAT. 6A F/UTP CABLE 100 OHMS	LSZH in accordance with NFC 32062 with flame retardant effect in accordance with IEC 60332-1 & NFC 32070 2.1 Ø 7.8 mm - Colour yellow RAL 1018	LEGRAND 32778 4 pair 23 AWG F/UTP 100 ohms LSZH CAT. 6A 500 MHz - VERIFIED TO ISO 11801 IEC 60332-1 EN 50173 - TIA/EIA 568B - VPN/NVP% Batch no. + length in metres	0 to +50 °C	-20 to +60 °C
CAT. 6 U/UTP CABLE 100 OHMS	PVC or LSZH in accordance with NFC 32062 with flame retardant effect in accordance with IEC 60332-1 & NFC 32070 2.1 Ø 6.4 mm - Colour blue RAL 5015	LEGRAND (4 pair or 2x4 pair) 23 AWG UTP 100 ohms 250 Mhz (PVC or LSZH) CAT. 6 250 MHz - EC VERIFIED TO ISO 11801 IEC 60332-1 EN 50173-1 TIA/EIA 568A Batch no. + length in metres	0 to +50 °C	-20 to +60 °C
CAT. 6 F/UTP CABLE 100 OHMS	PVC or LSZH in accordance with NFC 32062 with flame retardant effect in accordance with IEC 60332-1 & NFC 32070 2.1 Synthetic water repellent tape Ø 7 mm - Colour blue RAL 5015	LEGRAND (4 pair or 2x4 pair) 23 AWG FTP 100 ohms 250 Mhz (PVC or LSZH) CAT. 6 250 MHz - EC VERIFIED TO ISO 11801 IEC 60332-1 EN 50173-1 TIA/EIA 568A Batch no. + length in metres	0 to +50 °C	-20 to +60 °C
CAT. 6 SF/UTP CABLE 100 OHMS	PVC or LSZH in accordance with NFC 32062 with flame retardant effect in accordance with IEC 60332-1 & NFC 32070 2.1 Synthetic water repellent tape Ø 7.7 mm - Colour blue RAL 5015	LEGRAND 4 pair 23 AWG SFTP 100 ohms 250 Mhz (PVC or LSZH) CAT. 6 250 MHz - EC VERIFIED TO ISO 11801 IEC 60332-1 EN 50173-1 TIA/EIA 568A Batch no. + length in metres	0 to +50 °C	-20 to +60 °C
CAT. 5e U/UTP CABLE 100 OHMS	PVC or LSZH in accordance with NFC 32062 with flame retardant effect in accordance with IEC 60332-1 & NFC 32070 2.1 Ø 5.2 mm - Colour light grey RAL 7035	LEGRAND CAT.NO (4 pair or 2x4 pair) 24 AWG UTP 100 ohms (PVC or LSZH) CAT. 5e EC VERIFIED TO ISO 11801 IEC 60332-1 EN 50173-1 TIA/EIA 568A Batch no. + length in metres	-15 to +70 °C	+5 to +40 °C
CAT. 5e F/UTP CABLE 100 OHMS	PVC or LSZH in accordance with NFC 32062 with flame retardant effect in accordance with IEC 60332-1 & NFC 32070 2.1 Ø 5.5 mm - Colour light grey RAL 7035	LEGRAND CAT.NO (4 pair or 2x4 pair) CAT. 5e EC VERIFIED TO ISO 11801 IEC 60332-1 EN 50173-1 TIA/EIA 568A Batch no. + length in metres	-15 to +70 °C	+5 to +40 °C



Ensure high-quality continuity: perfect plug connection and transmission performance... Available in several colours.

■ Individually tested cords

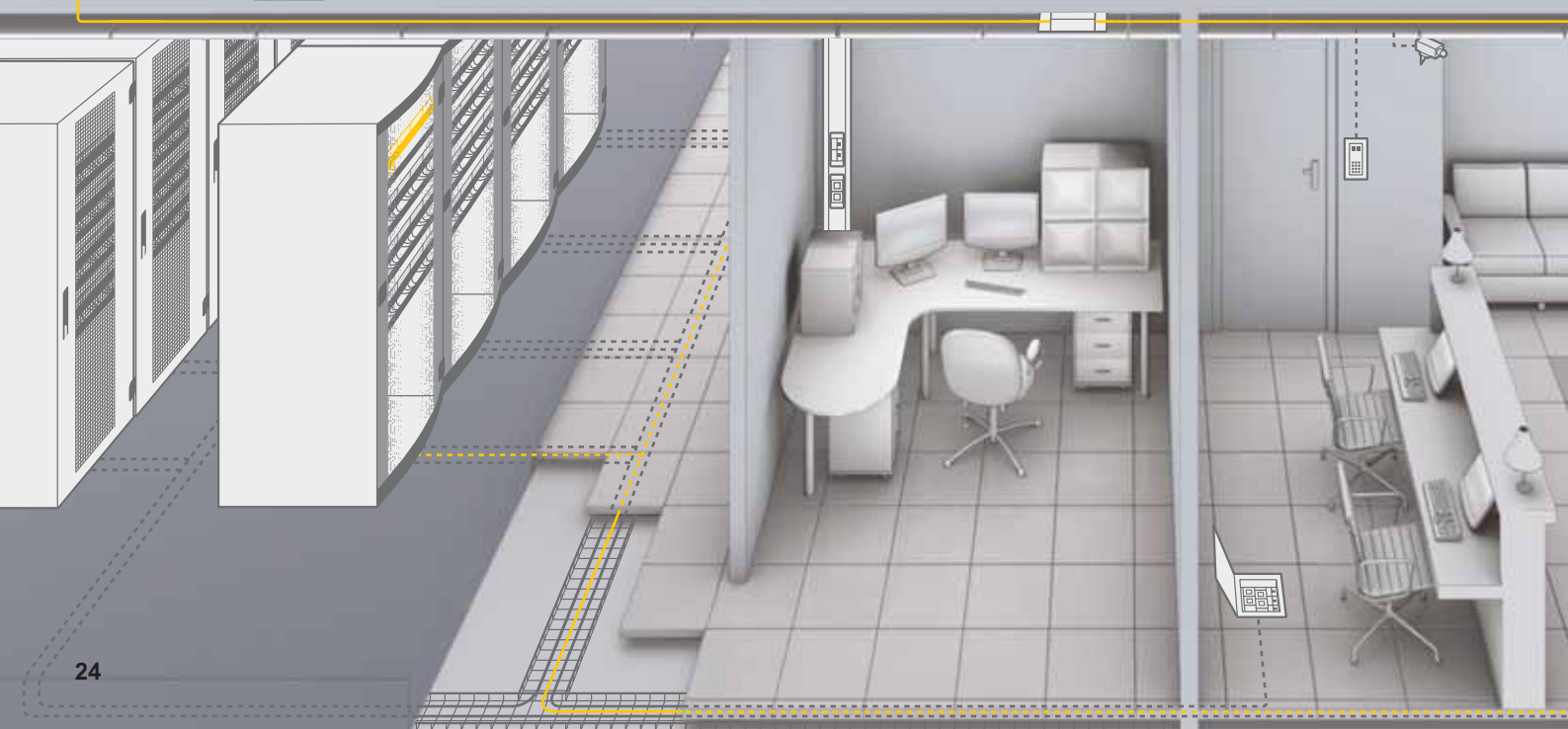
Legrand patch cords ensure high-quality continuity in a cabling system like other components. Legrand therefore takes the same care with the quality of its complete range of RJ 45 cords, which are certified by the 3P laboratory as compliant with the standards.

■ Tests on all parameters

Legrand cords are individually tested, both for continuity and transmission performance. All the parameters are measured: CR, ACR, NEXT, Return loss, Attenuation, etc. Cords which do not meet the criteria are rejected. These tests guarantee transmission performance from one end of the system to the other, with both class D and class E.

■ Universal cords

Available in cat. 6A, cat. 6 and cat. 5e versions and in the three cabling types (U/UTP, F/UTP and SF/UTP). Legrand cords are available in different lengths, thus offering considerable flexibility of use.





LCS² FIBRE OPTIC

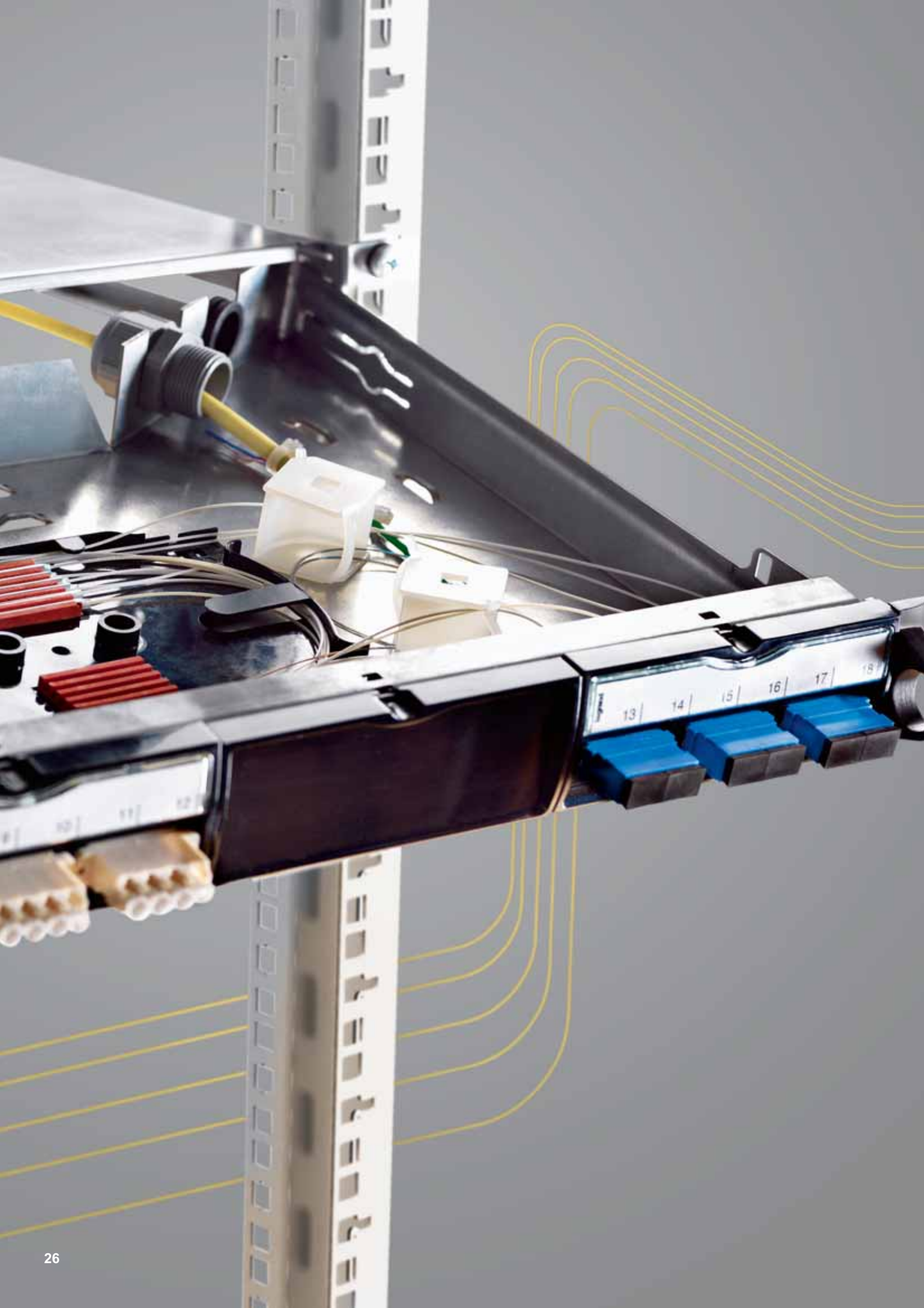
A simple and reliable option



Fibre optic drawers
See page 26 to 27



Connecting fibres
See page 28 to 29



LCS² Fibre optic drawer

Complete accessibility and ease in coiling

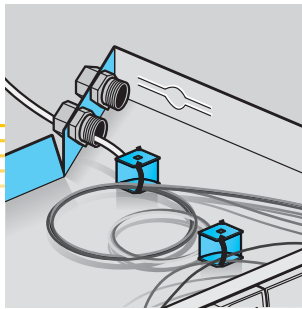
The new LCS² Fibre optic drawer gives a better comfort in installation and maintenance.

Reinforcements facilitating the opening and closing, end stop inclined at 30° for complete accessibility, coiling the fibres ensured by the in-built coiling accessories...



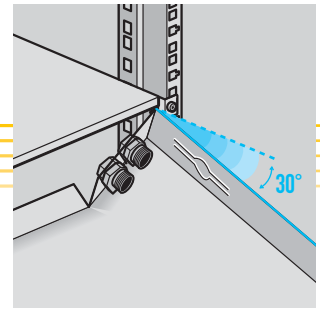
19" Fibre optic drawer

Up to 4 fibre optic blocks can be fitted. Equipped with grip handles. Height: Modular 1U.



Easier cable management.

Integrated coiling accessories. Rear in the form of a tail to facilitate connection of incoming cables.



Total accessibility

End stop, inclined at 30°.

Can take all fibre optic connector blocks



LC connector block.



SC connector block.



ST connector block.

Connecting fibres

Legrand simplicity and performance

Legrand solutions, including the rapid crimping connection process and pre-fitted fibre optic links on demand have made a significant contribution to placing fibre optics within the reach of installers, particularly for links within buildings or between buildings, over distances of less than two kilometres.



Split the fibre



Cleave the fibre



Inspect the fibre



Insert the fibre

■ Connection takes just 3 minutes with Legrand rapid connectors

The average time for making this connection is less than 3 minutes with rapid connectors Cat.Nos 0331 06 to 0331 13 incorporating a factory pre-polished fibre. After the operations to prepare the fibre, there is no longer any need to glue or polish, or to check the quality of the connection under a microscope! No oven, no drying. The factory pre-polished connectors and the crimping tool ensure that the operation is simple and results in a high-quality connection.

Tip

Consider leaving some fibres in reserve for future development of the installation. If you require 2 or 4 fibres now, install cables with 6 or 8, or if you require 6 to 8 fibres now, install cables with 10 to 12.



Align the fibre



Crimp the fibre

Pre-fitted fibre optic

Pre-fitted fibre optic links on demand: save time and cut risk to a minimum.

Order your own individual solution: pre-fitted and factory tested, it will save you time on site while ensuring a high level of link reliability. This minimises the risk of malfunction during the installation, thereby simplifying the acceptance test.

What is delivered?

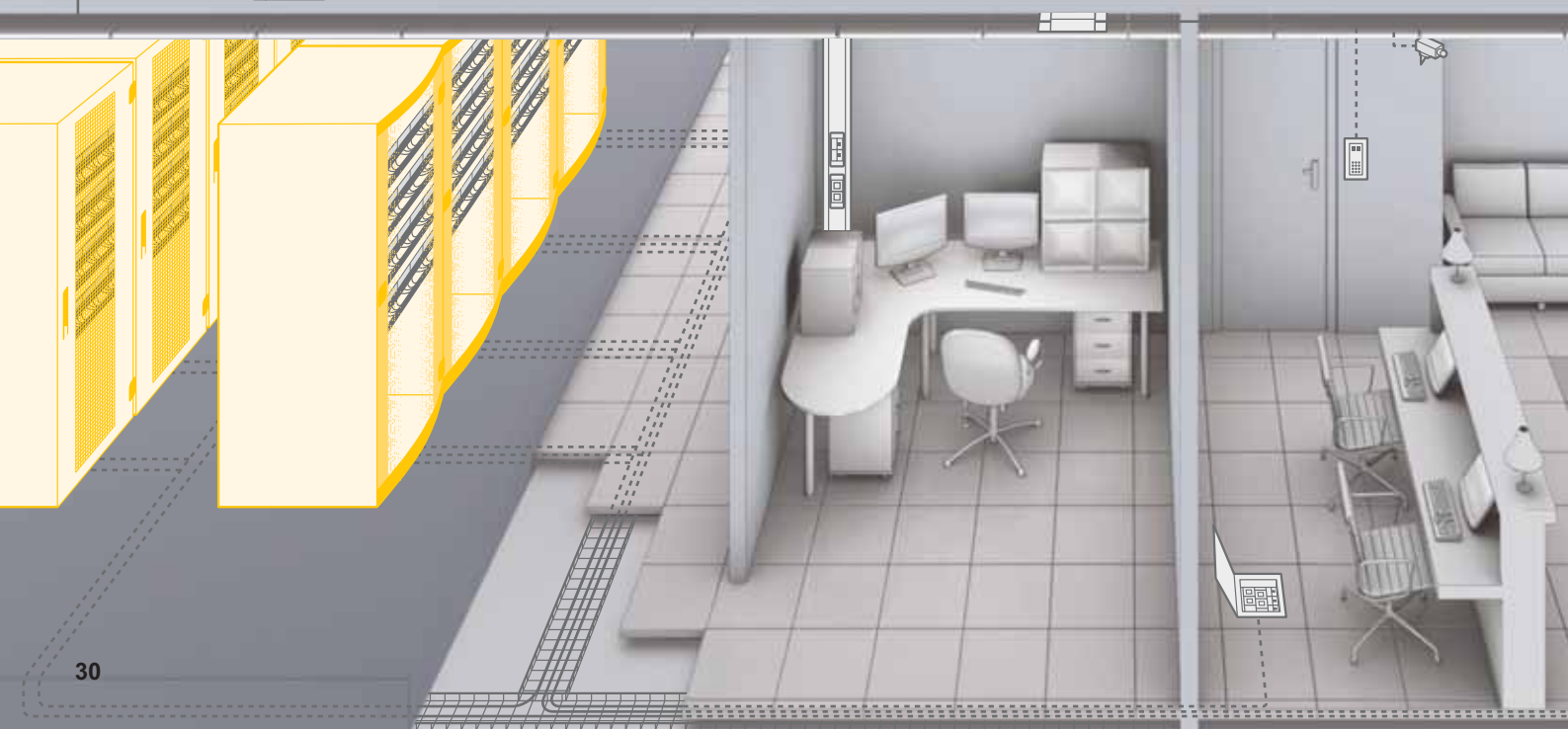
Each link is supplied with a test report. Length stands from connector to connector, in metres. Links up to 50 m are conditioned in boxes (reel optional) and those over 50 m are supplied by reel. Connectors are protected by a sheath. Pulling ring included. Multimode 62.5/125 μm cable complies with OM1 category, 50/125 μm with OM2 or OM3 category and single mode with OS1 category.



How to order

1. Once your preparatory installation work is done, determine the required length of cable.
2. Indicate the required type of fibre:
 - indoor, indoor/outdoor or outdoor
 - multimode 62.5/125 μm or 50/125 μm or single mode 9/125 μm
 - number of cores (4, 6, 12, 24 for indoor applications, outdoor applications and indoor/outdoor applications)
3. Specify the type of connector: ST, SC or LC.
4. State your preferred form of delivery: box or reel.

For Technical Assistance
Please contact us
at
(022) 3041 6258 / 00





LCS² ENCLOSURES AND CABINETS

Easy installation and efficient maintenance



Enclosures
See page 32 to 35



Server enclosures
See page 36 to 37



**Wall-mounting
cabinets**
See page 38 to 39



4

1

2

5

3

19" LCS² enclosures Optimised management of cables and cords

The design of the new LCS² enclosures facilitates managing the cables and cords.

Easy association of a unit dedicated for cords, cable entry at the top made easy, new feedthrough panels for perfect organisation of patching...



1

Enclosures

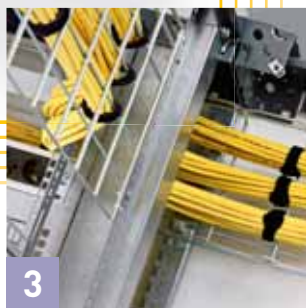
Can be fully dismantled in case of difficulty in accessing. Base allows easier cable entry and provides natural ventilation.



2

Optimised management of cords and cables

Cable guide rack in the cabling unit and on the sides of the enclosure.



3

Linking interface

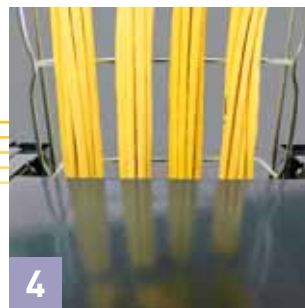
Protects and maintains the bending radius between the enclosure and cable duct.



5

Maintains the bending radius

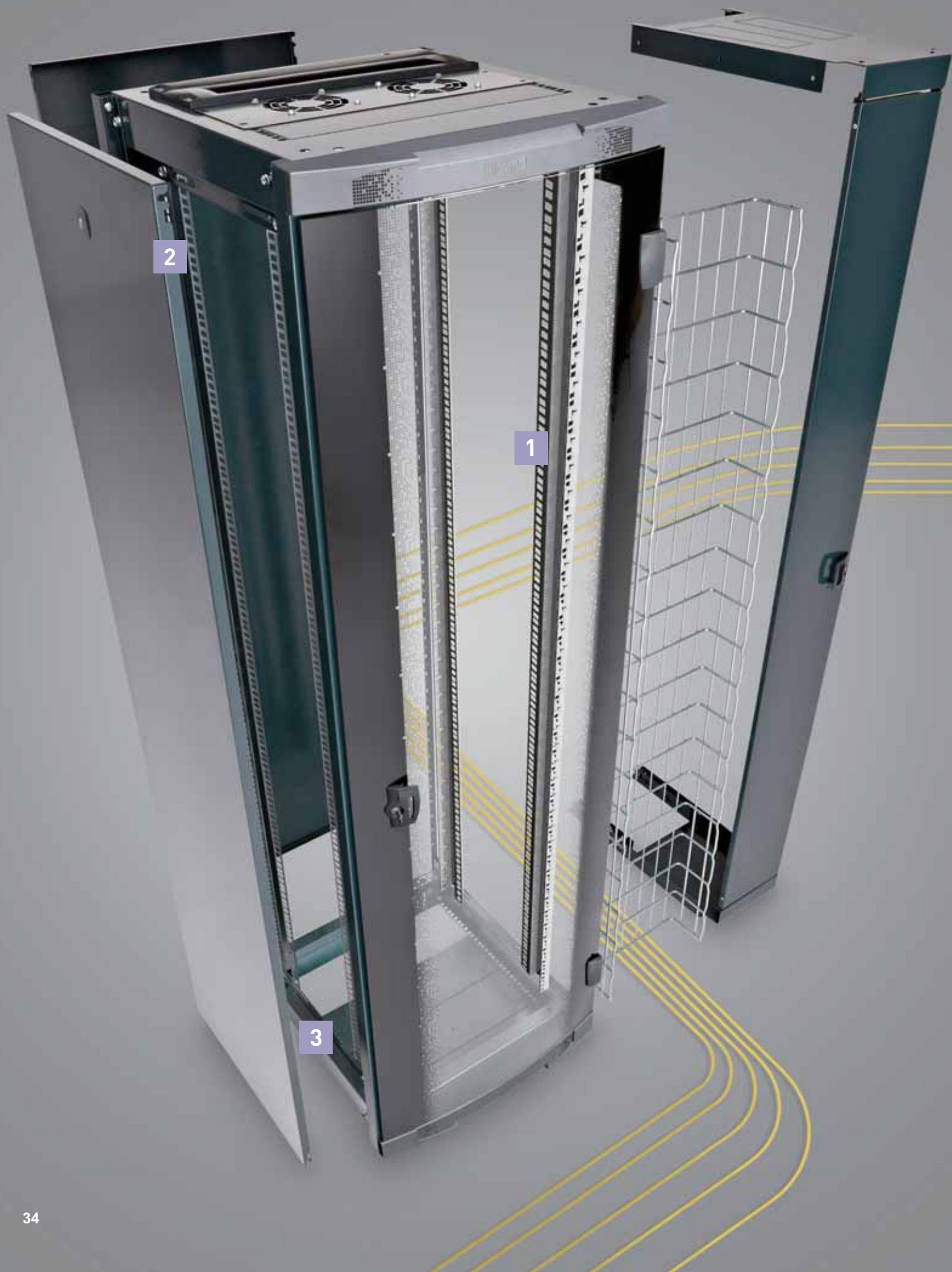
Feedthrough panels equipped with rings to guide the cords.



4

Easier cable entry

At the rear of the cabling unit or in the enclosure (extendable 19" entry plates with brushes).



19" LCS² enclosures simplified assembly

The new LCS² enclosures can be very easily assembled and dismantled.

A considerable time-saving on the sites, complete accessibility thanks to the removable side and rear panels and a structure that can be entirely dismantled.



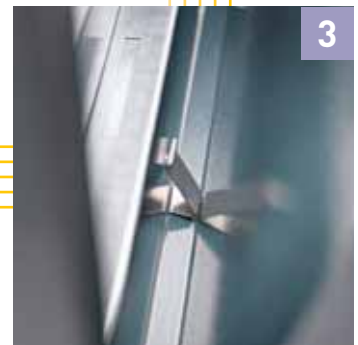
1

Easy marking
Dual marking of uprights
Example: 7 U from the top,
36 U from the base.



2

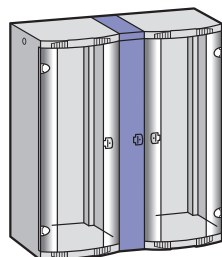
Total accessibility
A structure that can be completely dismantled.



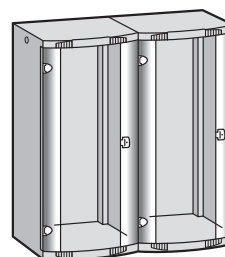
3

Equipotential bonding clamp
The side and rear panels have an automatic equipotential bonding.

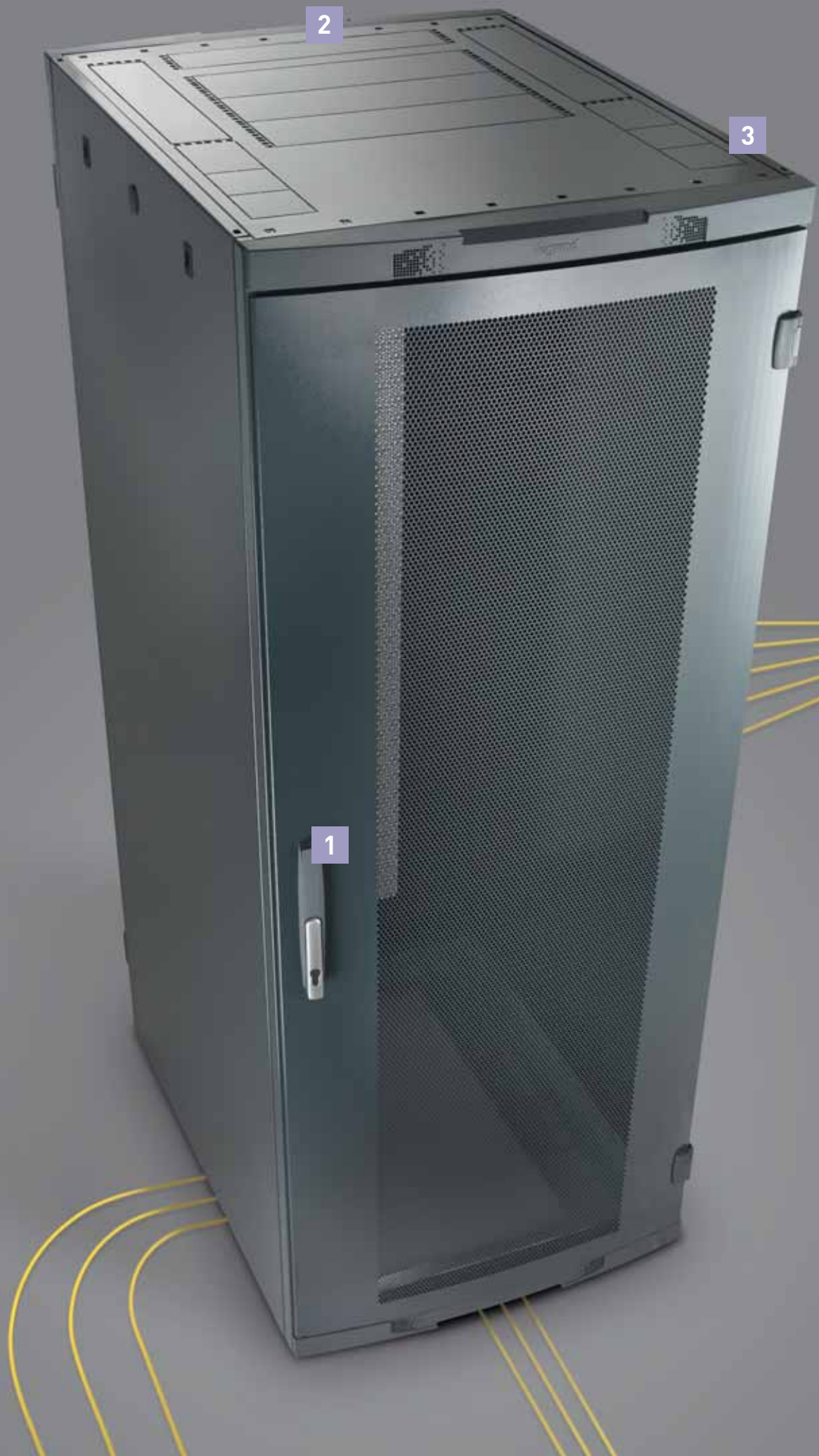
Combinations that answer various needs



Two 600-mm-wide enclosures with a cabling unit.



Two 800-mm-wide enclosures side by side.



LCS² 19" Server enclosures Complete accessibility

The new LCS² server enclosures are designed for complete accessibility.

Complete accessibility not only via the doors and panels, but also thanks to the high pre-cuts and low opening.



Doors and panels with keyless lock system

- front door with handle
- perforated front and rear doors - 70% honeycomb.



Cable entry

- 19" High pre-cuts
- Low opening.



Cable ducting

- Support with screwless tray fixing - Cablofil.



1

2

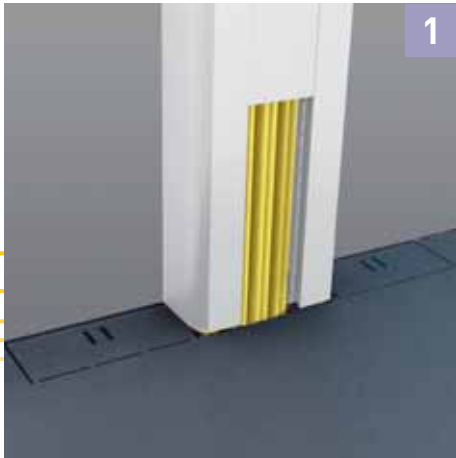
3

19" LCS² cabinets

Easy access, high-quality finish

The new LCS² wall-mounting cabinets can be fitted anywhere where maintaining aesthetic quality is very important.

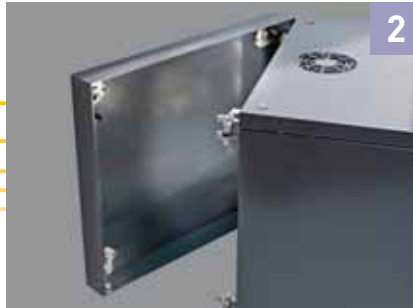
The removable side panels and flexible cable entries (in the fixed cabinets option) facilitate access for quick installation and easy maintenance.



1

Flexible cable entries
In DLP trunking system format.

Total accessibility
Also available with pivoting body to enable easy access to the rear. Removable side panels on all LCS² cabinets.



2



3

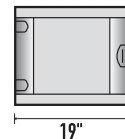


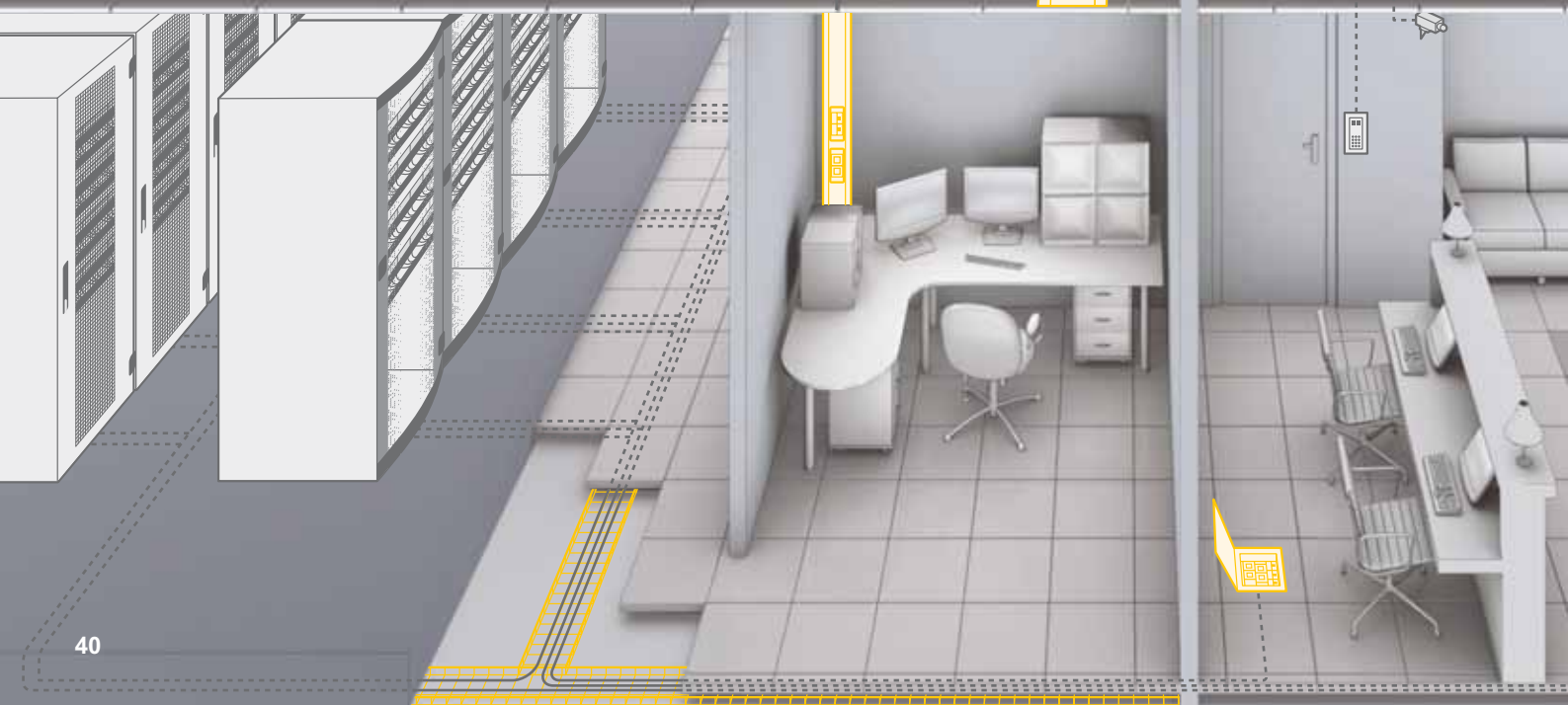
High-quality finish
Curved door, screen-printed glass.

Also available in 10" version



Compact:
LCS² cabinet for small businesses.







LCS² WORKSTATION

The network at your hand



Zone distribution boxes

See pages 42 to 43



Installation supports

See pages 44 to 45



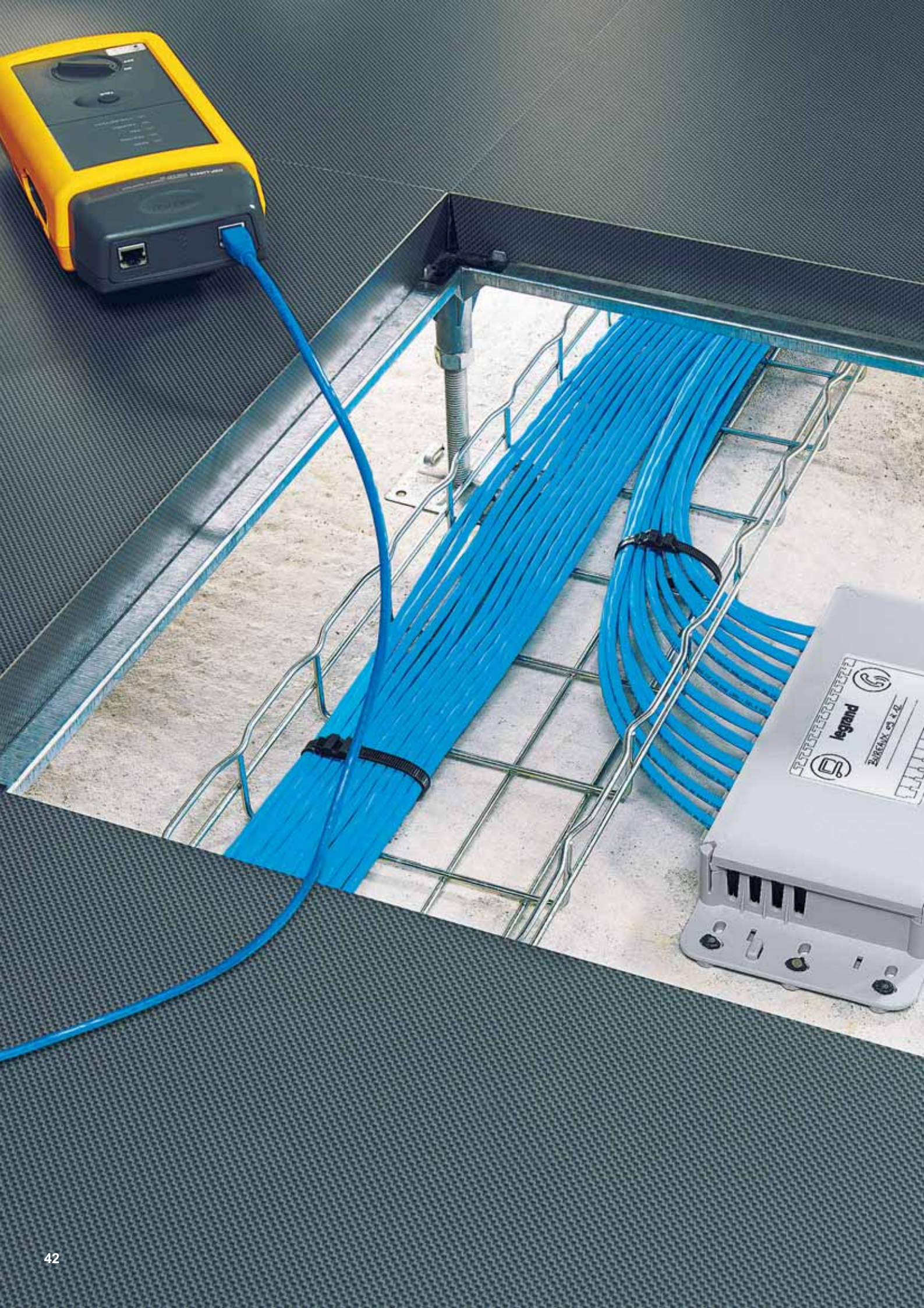
RJ 45 Sockets

See pages 46 to 47



Wi-Fi

See pages 48 to 49



Zone distribution boxes of LCS² consolidate and redistribute with complete ease

With the new LCS² zone distribution boxes connected to the Arteor™ & Mosaic™ feedthrough sockets, the result is complete flexibility.

The connections close to the workstation are centralised, copper and fibre optic are in a single box, etc. and the LCS² performances are guaranteed.



2 blocks of 6 connectors can be fitted to connect up to 12 RJ 45 sockets
Distribution close to the installation supports (see next page).

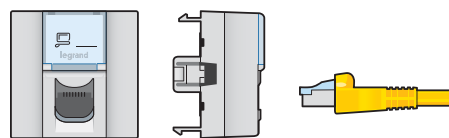


Fibre optic/RJ 45 union
Copper and fibre are placed side by side in the same box.

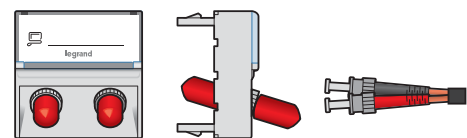


Coil rack
For fibre optic.

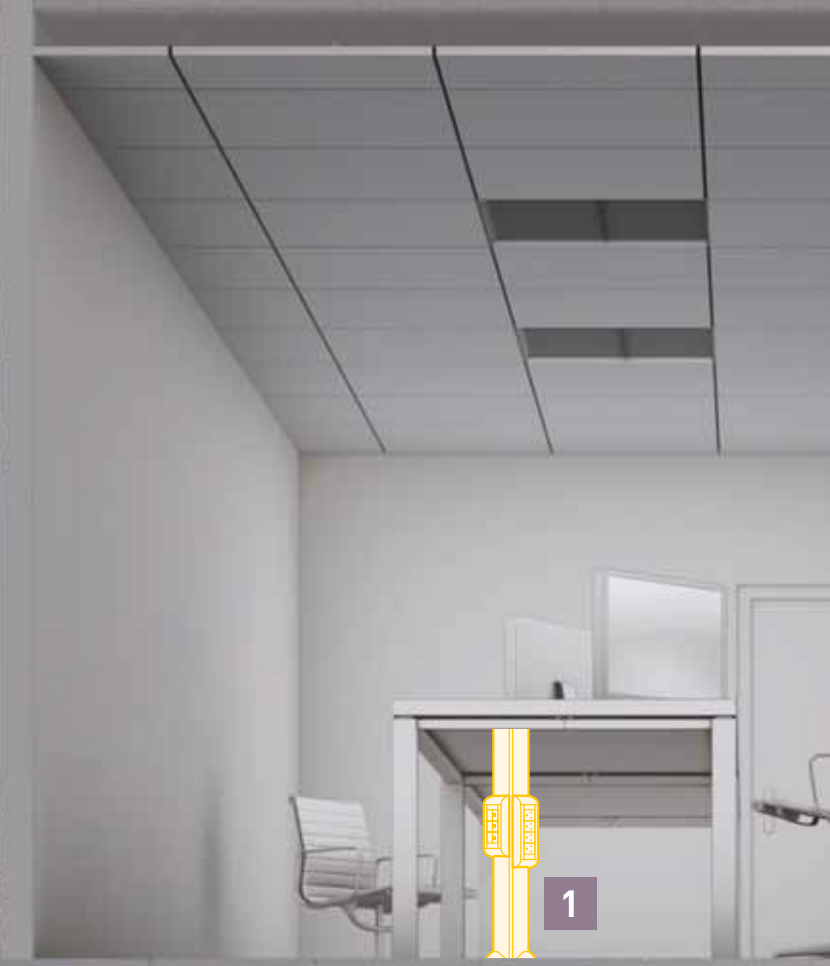
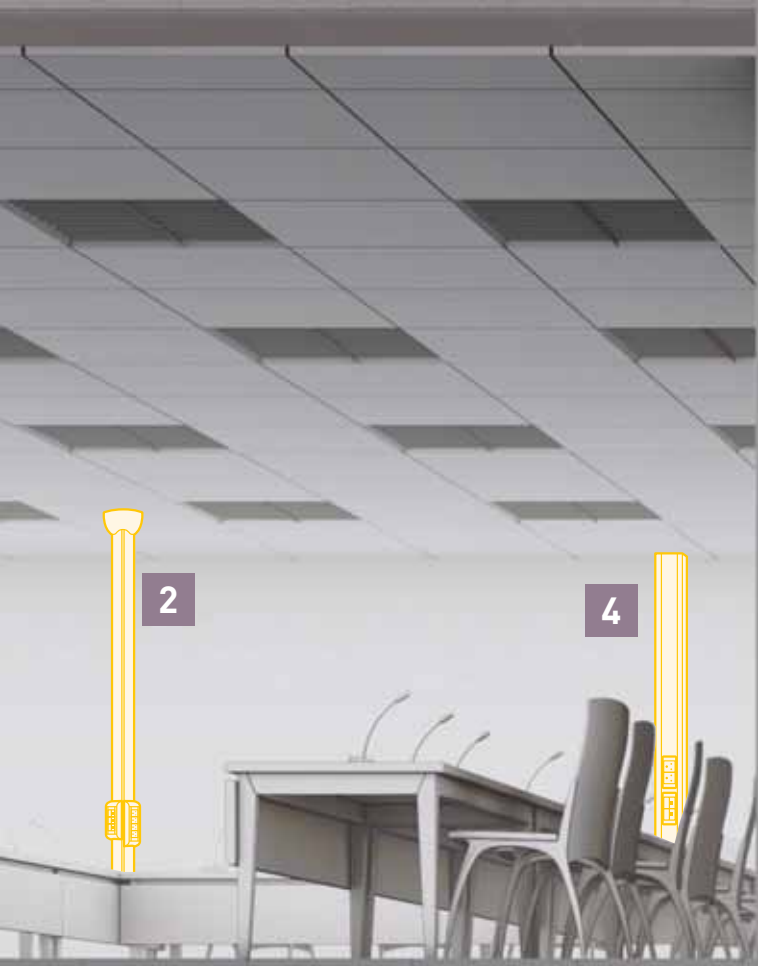
LCS² Arteor™ & Mosaic™ feedthrough sockets:
Quick and reliable connection, installation on all supports



RJ 45 socket with copper feedthrough for RJ 45 - RJ 45 cord.



2 x ST fibre optic feedthrough socket for optical patch cord.



Installation support cable management systems

Network within reach.

On the wall with trunking, on the ceiling with columns, on the ground with floor boxes and desktop multi-outlet extensions or nearby with blocks and mini-columns. They are suitable for all work space configurations.



1
Mini-columns



2
Columns



3
Cablofil



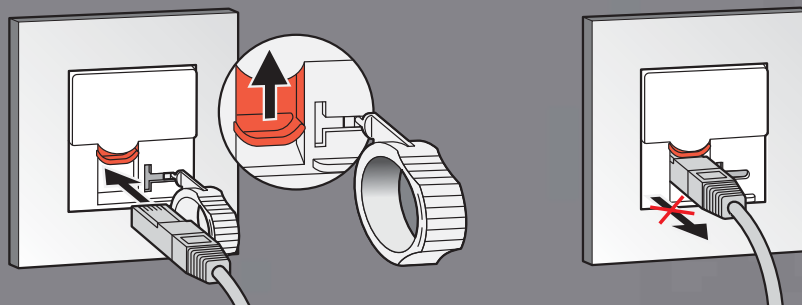
4
Snap-on trunking



5
Floor boxes

End-to-end solutions:

Legrand cable management systems allow distribution of VDI cables and power cables from the point of entry to the workstation.



Arteor RJ 45 socket
with controlled access

Organisation and safety with the new Arteor™/ Mosaic™ LCS² sockets

In the technical room, in a false ceiling or in the floor boxes and desktop multi-outlet extensions, it is necessary to identify the special networks at a single glance.

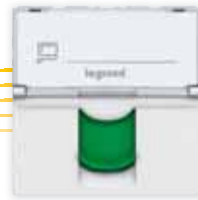
Video surveillance, access control, sensitive devices, etc.
The Arteor™/Mosaic™ LCS² sockets has coloured covers.



Structure and protect the networks by insulating the sensitive applications.



Identify the sensitive information networks and control their access using a cover that can be unlocked using a key.



Structure the remote-supply networks (PoE injector) to use telephone, video applications on IP, etc.

RJ 45 Sockets with high standards of Legrand accessories



Arteor™ - Magnesium



Arteor™ - White



Wi-Fi that can be installed just like RJ 45 sockets

Wi-Fi access points can be fitted anywhere where unrestricted access to the computer network is required.

They can be fitted just like the RJ 45 sockets and on any supports. The stability of performance and the durability of products are guaranteed (see page 14).

Wi-Fi access points: essential mobility...

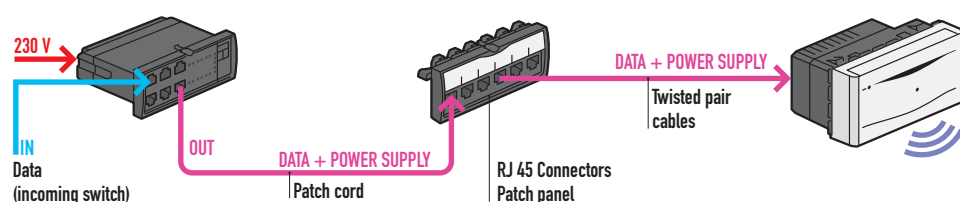
- In an environment where multiple Wi-Fi networks operate together, to optimise the available speed everywhere in the building (in compliance with 802.11 a + b/g and 802. 11 n standards).
- In reception areas and passages, to provide network access anywhere in the building (in compliance with the 802.11 b/g and 802. 11 n standards).
- In shared work areas, to connect a computer permanently and provide a wireless connection to temporary users (in compliance with the 802.11 a + b/g and 802. 11 n standards).

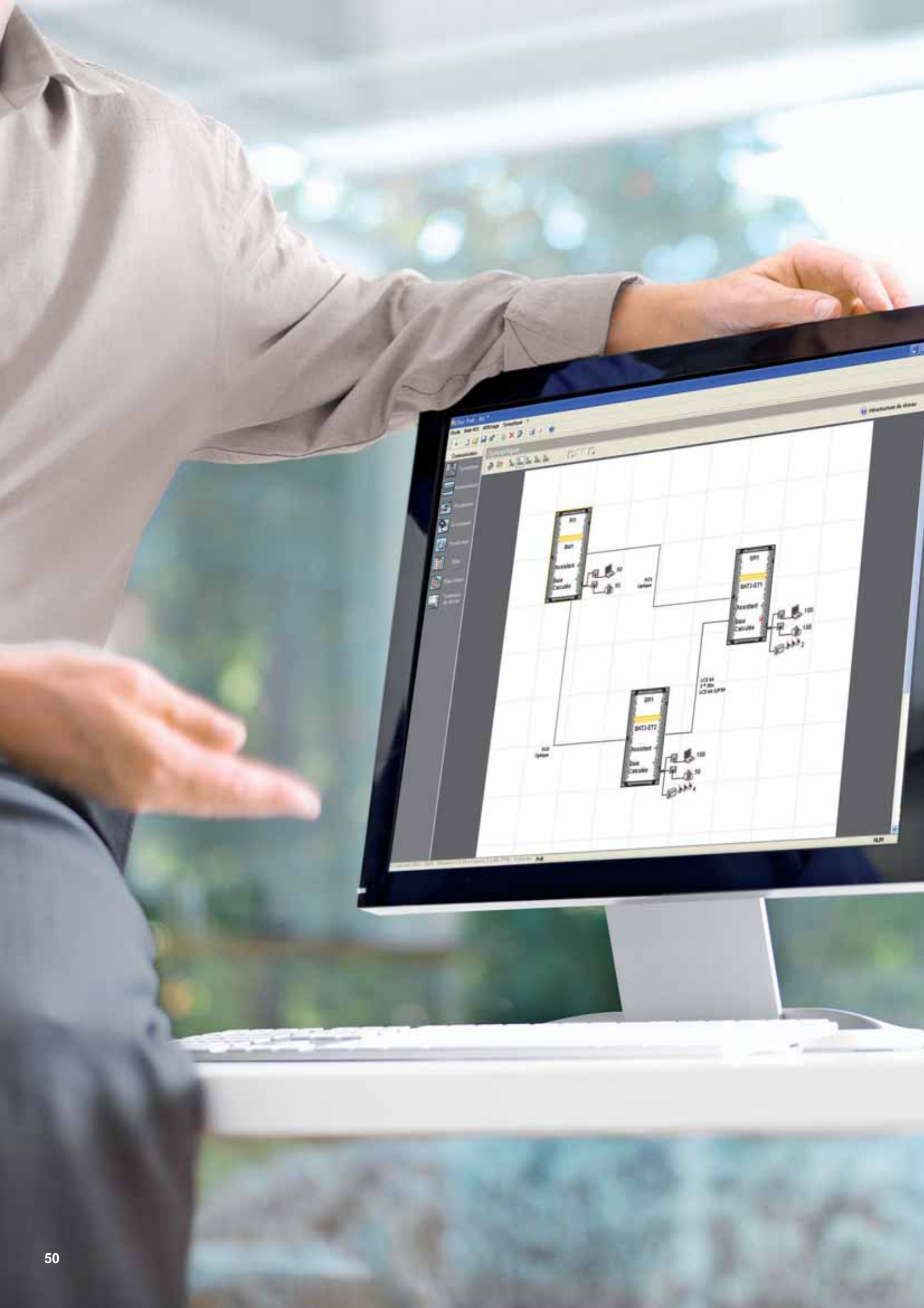
The Wi-Fi access points can be mounted on any support:

Columns, mini-columns, snap-on trunking, floor boxes, etc., wall or on Cablofil.



LCS² PoE injector:
Power supply to
Wi-Fi access
points from the
patch panels





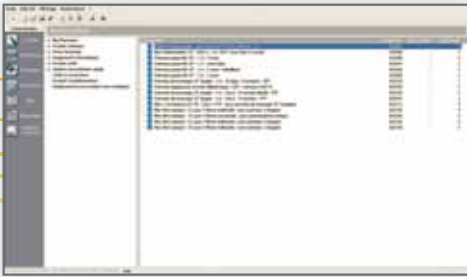
To be introduced shortly

New LCS Pro² software

Your LCS² enclosure in a few clicks

With the new LCS Pro² software, you can now very easily and quickly select your products, view your enclosure, etc.

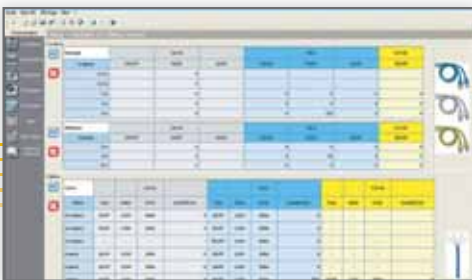
LCS² SERVICES



Automatic determination
of catalogue numbers by selecting the features and options.



Visual display of the installation
of the enclosure, modifications possible.



Easy management of studies
Technical records, purchase orders, document printing.

For more information

Contact local sales office

New Delhi : (011) 2699 0028

Kolkata : (033) 4021 3535 / 36

Mumbai : (022) 3385 6200

Chennai : (044) 3024 7200,
2836 4165 / 67 / 68

Hyderabad : (040) 2341 4398 / 67

Structured cabling workshop: A top-level training at Legrand Training Centre

Being in close contact with engineers at the cutting edge of technological advances, Legrand trainers offer you practical sessions in workshops.

These are experienced people who understand your business and speak your language. We offer you very useful and practical training.



Comprehensive training

- Copper installation: essential for commercial sites
- Optical fibre: use and testing of an installation
- Copper: use and testing of an installation.



Training in understanding different methods

of using an optical backbone and of connecting and testing the optical links, as per the standards in force.



Training modules to help you in conversion of telephone and computer network needs of your clients into complete and upgradeable solutions, and cabling them as per the standards in force.

Assurance of performance



Two guarantees to ensure the durability of your installations

The 20-year performance guarantee:

Legrand offers the installer the guarantee of continuity of performance levels of an LCS² cat. 6A, LCS² cat. 6 or LCS² cat. 5e system on link or channel over time.

The 20-year components guarantee: Legrand offers the installer the possibility of extending the usual guarantee from 2 years to 20 years on all products used in link or channel.

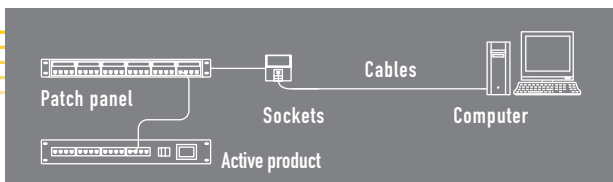
- The components guarantee of the LCS² cat. 6A, LCS² cat. 6 or LCS² cat. 5e systems: Legrand offers an extended guarantee on the components of the LCS² cat. 6A, LCS² cat. 6 or LCS² cat. 5e systems. 20 years for the components of channel or link, i.e. patch panels, RJ 45 sockets, cables and cords.

The contractual 2 years guarantee on these products is thus extended to 20 years.



- The channel performance guarantee:

A channel is defined by the standards as being an assembly consisting of the following components: patch cord, patch panel, cable, RJ 45 socket, user cord. During acceptance testing, the performance of the channel is measured over a maximum length of 100 m. It must remain constant over time.



The performance of an installation must stand the test of time.

This is why Legrand guarantees the performance and the components of its LCS² cat. 6A, cat. 6 and cat. 5e systems over the entire channel or link for 20 years.

Conditions of the 20-year Performance Guarantee

As with any guarantee contract, certain conditions must be met in order to qualify for the Legrand 20-year Performance Guarantee. These conditions are naturally within the capabilities of any company specialised in the installation of structured cabling systems. The main conditions are given below (extracts from the 20-year Performance Guarantee issued by Legrand). The installer has stored the components in storage conditions suitable for their type.

The installation has been built in strict compliance with good practice and abiding by all the conditions listed below.

All the components used in the cabling system must be Legrand LCS² cat. 6A, LCS² cat. 6 or LCS² cat. 5e Cabling Systems components.

All the patch cords used must be original Legrand products.

The max. length of a cord must be 5 m.

The installation must be built in accordance with the recommendations defined in installation standards EN 50174, EN 55022 and UTE C 15-900 in force at the time of issue of the guarantee.

Prior to the signature of the guarantee contract, Legrand will check that the installation acceptance test data comply with the values specified in the standard.

The installer must submit the following 4 documents to Legrand:

- The installation acceptance test for the link or the channel
- The "14 key points of a high performance installation" form, ticked and signed as agreement on its part of having complied with the 14 points
- A full list of the products installed
- An installation diagram of the patch cabinets and the RJ 45 sockets.

Any subsequent modifications or extensions must comply with the conditions listed above.

selection chart for equipment and enclosures

configure your LCS² system

SELECT RJ 45 SOCKETS AND WI-FI ACCESS POINTS				ARTEOR			MOSAIC		
				LCS ² cat. 6A	LCS ² cat. 6	LCS ² cat. 5e	LCS ² cat. 6A	LCS ² cat. 6	LCS ² cat. 5e
	1 module	STP	White	5734 32	5734 34	-	0765 73	0765 63	-
			Magnesium	5728 06	5736 34	-			
		FTP	White	-	5723 22	5734 30			
			Magnesium	-	5728 22	5736 30			
UTP	White	-	5734 28	5734 29	-	0765 61	0765 51		
	Magnesium	-	5736 28	5736 29					
	2 modules	STP	White	-	5734 77	-	0765 76	0765 66	-
			Magnesium	-	5736 77	-			
		FTP	White	-	5734 76	-			
			Magnesium	-	5736 76	-			
UTP	White	-	5734 74	5734 75					
	Magnesium	-	5736 74	5736 75	-	0765 64	0765 54		
	2 modules with 45° incline	UTP	White				-	0765 03	0765 01
	2 modules with controlled access	STP	White	5723 50	-	-	0765 99	0765 96	-
			Magnesium	5728 50	-	-			
		UTP	White	-	5723 53	-			
			Magnesium	-	5728 53	-	-	0765 94	0765 97
	Sockets at 90°	STP	White				-	0765 93	-
		UTP	White				-	0765 91	-
	2 x RJ 45 sockets	UTP	White				-	0765 44	0765 41
	Green shutter	STP	White	5723 52	-	-	0765 24	-	-
			Magnesium	5728 52	-	-			
		FTP	White	-	5723 55	-			
			Magnesium		5728 55	-	-	0765 22	-
	Orange shutter	STP	White	5723 51	-	-	0765 25	-	-
			Magnesium	5728 51	-	-			
		FTP	White	-	5723 54	-			
			Magnesium	-	5728 54	-	-	0765 23	-
	Copper feedthroughs	UTP	White				-	0786 22	0786 20
	Doubler sockets	Ethernet/Ethernet UTP					0765 38	0765 38	0765 38
		Telephone/Ethernet UTP					0765 36	0765 36	0765 36
		Telephone/telephone					0765 35	0765 35	0765 35
	Manageable Wi-Fi access points	With RJ 45 socket, dual-band and dual-radio					0779 14	0779 14	0779 14
		Dual-band and dual-radio					0779 13	0779 13	0779 13

SELECT LCS² PANELS AND CONNECTOR UNITS

	Patch panels 1U Fitted with 24 connectors	STP	0335 73	0335 63	-
		UTP	-	0335 61	0335 51
	Units of 6 x RJ 45 connectors	STP	0335 76	0335 66	-
		UTP	-	0335 64	0335 54
Blanking plate			0335 91	0335 91	0335 91
Patch panel 1 u To be fitted with 4 units			0335 90	0335 90	0335 90

Bold catalogue numbers are products normally available with Legrand (India) stockists.
Cat. nos. that are not bold - delivery within 4 - 8 weeks from the date of order.

Bold packing quantity is our mandatory packing. Orders to be placed by Legrand (India) stockists in multiples of the same.

selection chart for equipment and enclosures

configure your LCS² system (continued)

SELECT FIBRE OPTIC EQUIPMENT

		Monomode	Multimode	
	LC units	For 6 fibres	0335 13	0335 18
		High density - For 12 fibres	-	0335 19
	SC units	For 6 fibres	0335 12	0335 17
	ST unit	For 6 fibres	-	0335 16
	Copper/fibre optic converters	10/100 base T to 10/100 base SX	-	0335 06
		1000 base T to 1000 base SX/LX	-	0335 07
	Switch units	6 x RJ 45 ports + 1 LC type optic port	0335 05	0335 05
	Fibre optic enclosures 1 U - For 4 fibre optic units		0335 10	0335 10
Fibre optic cassettes for patch panel		0335 11	0335 11	

SELECT 19" LCS² FEEDTHROUGH PANELS

	Metal, 2 axes and quick-fixing	1 U	0465 22
		2 U	0465 23
	Plastic with brushes, snap on	1 U	0465 28
		2 U	0465 29
	Metal with brushes and quick-fixing	1 U	0465 30
		2 U	0465 31

SELECT 19" LCS²

	Power Supply Units	5 x 2P+ \pm sockets + switch	6339 10
		5 x 2P+ \pm sockets + MBC	6339 11
	Replacement module for surge suppressor 2 U	Replacement module	0775 41
	Modular unit 2 U	Takes 16 Mosaic modules	0332 79
	DIN rail kit IP 2X - 2 U	For Lexic modular devices	0465 45

SELECT PATCH CORDS AND RJ 45 USERS

	SF/UTP	Impedance 100 Ohms	1 m	0517 80	0517 52	-
			2 m	0517 81	0517 53	-
			3 m	0517 82	0517 54	-
			5 m	0517 83	0517 55	-
	F/UTP	Impedance 100 Ohms	0.3 m	-	-	0516 91
			0.6 m	-	-	0517 17
			1 m	-	0517 62	0516 40
			2 m	-	0517 63	0516 41
			3 m	-	0517 64	0516 42
			5 m	-	0517 65	0516 43
	U/UTP	Impedance 100 Ohms	1 m	-	0517 72	-
			2 m	-	0517 73	-
			3 m	-	0517 74	-
			5 m	-	0517 75	-

SELECT COPPER CABLES (305 OR 500 M REELS)

	S/FTP	4 pairs	500 m	0327 77	-	-
	SF/UTP	4 pairs	500 m	-	0327 57	-
		2 x 4 pairs	500 m	-	0328 59	-
	F/UTP	4 pairs	305 m	-	0328 56	0327 52
		500 m	0327 78	0327 56	0328 50	
		2 x 4 pairs	500 m	-	0327 76	0327 74
	U/UTP	4 pairs	305 m	-	0327 54	0327 50
		500 m	-	0328 61	0328 53	
		2 x 4 pairs	500 m	-	0328 63	0328 55

Bold catalogue numbers are products normally available with Legrand (India) stockists.
Cat. nos. that are not bold - delivery within 4 - 8 weeks from the date of order.

Bold packing quantity is our mandatory packing. Orders to be placed by Legrand (India) stockists in multiples of the same.

selection chart for equipment and enclosures

configure your LCS² system (continued)

SELECT 19" LCS ² ENCLOSURES			Depth 600 mm	Depth 800 mm	Depth 1000 mm
	24 U	Width 600 mm	0463 00	-	-
	29 U	Width 600 mm	0463 06	-	-
	33 U	Width 600 mm	0463 12	-	-
	42 U	Width 600 mm	0463 18	0463 19	-
		Width 800 mm	0463 21	0463 22	0463 23
47 U	Width 800 mm	-	0463 28	0463 29	
SELECT 19" LCS ² EXTENSION ENCLOSURES			Depth 600 mm	Depth 800 mm	
42 U	Width 600 mm		0463 30	-	
	Width 800 mm		-	0463 33	
SELECT 19" LCS ² SERVER ENCLOSURES			Depth 1000 mm		
42 U	Width 600 mm		0463 85		
	Width 800 mm		0463 86		
SELECT EQUIPMENT FOR 19" LCS ² ENCLOSURES			For enclosure depth 600 mm	For enclosure depth 800 mm	For enclosure depth 1000 mm
	42 U cabling units		0463 34	0463 35	-
	Base for cabling unit, trap height 100 mm		0464 64 ⁽¹⁾	0464 64 ⁽¹⁾	-
	Joining kits		0463 37	0463 38	0463 39
	Sets of 2 solid side traps for enclosure base		0464 54 ⁽²⁾	0464 56 ⁽²⁾	0464 58 ⁽²⁾
	Ventilated traps, 1 trap height 100 mm		0464 60	0464 61	-
	Traps with brushes, 1 panel height 100 mm		0464 62	0464 63	-
	Stay plates		0476 93	0476 94	0476 95
	Linking interface		0464 66	-	-
	Fixed shelves	Depth 115 mm	0465 00	0465 00	0465 00
		Depth 200 mm	0465 01	0465 01	0465 01
		Depth 360 mm	0465 02	0465 02	0465 02
	Fixed shelves. Quick mounting on 4 x 19" uprights (excludes server enclosures)		0465 05	0465 06	0465 07
	Fixed shelf. Screw fixed on 4 x 19" uprights		-	-	0465 17
	Telescopic shelves. Quick mounting on 4 x 19" uprights (excludes server enclosures)		0465 08	0465 09	0465 10
	Telescopic shelf. Screw fixed on 4 x 19" uprights		-	-	0465 18
Set of 2 fixed runners		0465 11	0465 12	0465 13	
Enclosure base kits	For width 600 mm		0464 50	0464 52	
	For width 800 mm		0464 51	0464 53	
SELECT 19" LCS ² CABLE ENTRIES FOR TOP AND BOTTOM AND BLANKING PLATES			For enclosures		
	Plastic cable entries with brushes, snap on	1 U	0465 28		
		2 U	0465 29		
	Solid plastic blanking plates, snap on	1 U	0465 32		
		2 U	0465 33		
	Metal cable entries with brushes and quick-fixing	1 U	0465 30		
		2 U	0465 31		
	Solid metal blanking plates and quick-fixing	1 U	0465 38		
		2 U	0465 39		
		3 U	0465 40		
SELECT CABLING MANAGEMENT EQUIPMENT					
	Sets of 3 cable management supports	For enclosure width/depth 600 mm	0464 72		
		For enclosure width/depth 800 mm	0464 73		
		For enclosure depth 1000 mm	0464 74		
	Flat cable guides	For enclosure 33 U	0464 76		
		For enclosure 42 U	0464 77		
	U-shaped cable guides	Width 200 mm	0464 69		
		Width 400 mm	0464 70		
	Cord management grille	For enclosure 42 U, width 800 mm	0331 35		
Vertical feedthrough	For enclosure 42 U, width 800 mm	0464 80			
Patch extension	For enclosure 42 U, width 800 mm	0464 81			
SELECT THERMAL MANAGEMENT EQUIPMENT AND ACCESSORIES					
	19" plates 3U with 230 V fans	2 fans	0464 87		
		3 fans	0464 88		
	Ventilation enclosures	For enclosure depth 600/800 mm	0464 89		
		For enclosure depth 800/1000 mm	0464 90		
	Thermostat	Adjustable range 5 to 60 °C	0348 48		
		Set of 4 casters	0464 83		
	Accessories	Set of 4 casters for server enclosure	0464 82		
		230 V Lighting kit	0464 85		
		Level adjustment kit	0464 84		
		Floor fixing kit	0464 86		

(1) Double the number of traps for a height of 200 mm
 (2) Order 2 sets for a base height of 200 mm (Cat.Nos 0464 52/53)

Bold catalogue numbers are products normally available with Legrand (India) stockists.
Cat. nos. that are not bold - delivery within 4 - 8 weeks from the date of order.

Bold packing quantity is our mandatory packing. Orders to be placed by Legrand (India) stockists in multiples of the same.

selection chart for equipment and enclosures

configure your LCS² system (continued)

SELECT 19" LCS ² CABINETS AND EQUIPMENT			FIXED		PIVOTING
			Depth 400 mm	Depth 580 mm	Depth 600 mm
	6 U	Height 350 mm	0462 00	-	-
	9 U	Height 500 mm	0462 01	0462 06	0462 11
	12 U	Height 600 mm	0462 02	0462 07	0462 12
	16 U	Height 800 mm	0462 03	0462 08	0462 13
	21 U	Height 1000 mm	-	0462 09	0462 14
	Fixed shelves	Depth 115 mm	0465 00	0465 00	0465 00
		Depth 200 mm	0465 01	0465 01	0465 01
		Depth 360 mm	-	0465 02	0465 02
	Equipment	Cable entry plate with brush	-	-	0462 55
		230 V~ fan	0462 60	0462 60	0462 60
		Thermostat	0348 48	0348 48	0348 48
		Set of 4 casters	-	-	0462 64
SELECT FIBRE OPTIC PATCH CORDS			OS 1 (UPC) monomode 9/125 µm	OM 3 multimode 50/125 µm	OM 2 multimode 50/125 µm
	ST/ST duplex cords	1 m	-	-	0330 80
		2 m	-	-	0330 81
		3 m	-	-	0330 82
	SC/SC duplex cords	1 m	0326 00	0326 09	0330 69
		2 m	0326 01	0326 10	0330 70
		3 m	0326 02	0326 11	0330 71
	SC/LC duplex cords	1 m	0326 03	0326 12	0330 75
		2 m	0326 04	0326 13	0330 63
		3 m	0326 05	0326 14	0330 76
	ST/SC duplex cords	2 m	-	-	0330 72
		3 m	-	-	0330 73
	LC/LC duplex cords	1 m	0326 06	0326 15	-
		2 m	0326 07	0326 16	0330 61
		3 m	0326 08	0326 17	-
	LC/ST duplex cord	2 m	-	-	0330 65
SELECT OPTIC CABLES (2000 M REELS)					
	Internal/external, anti-rodent	6 fibres	0325 12	0325 10	0325 08
		12 fibres	-	0325 11	0325 09
	External, anti-rodent reinforced steel	6 fibres	0325 13	-	-
LCS ² zone distribution boxes			LCS ² cat. 6	LCS ² cat. 5e	
	Zone distribution boxes Fitted with 12 x RJ 45 connectors	STP	0335 46	-	
		FTP	0335 45	-	
		UTP	0335 44	-	
	Units of 6 x RJ 45 connectors	STP	0335 66	-	
		FTP	0335 65	0335 55	
		UTP	0335 64	0335 54	
	Fibre optic accessory		0335 20	0335 20	
	Zone distribution box To be fitted with 4 units		0335 40	0335 40	

Bold catalogue numbers are products normally available with Legrand (India) stockists.
Cat. nos. that are not bold - delivery within 4 - 8 weeks from the date of order.

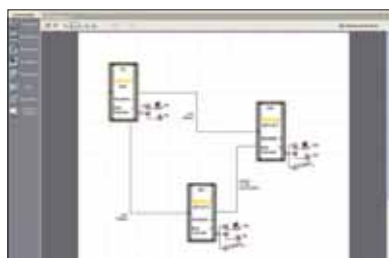
Bold packing quantity is our mandatory packing. Orders to be placed by Legrand (India) stockists in multiples of the same.



To be introduced shortly

Your LCS² enclosure in a few clicks

Select your products and visualise your enclosure simply and quickly with the new LCS Pro² software...



LCS Pro² allows you to **automatically find** Cat.Nos by selecting characteristics options



LCS Pro² lets you **visualise the enclosure installation** and amend it if required



LCS Pro² allows you to **easily manage your studies**: technical summaries, purchase orders, document printing

Legrand cabling system LCS² category 6A

patch panels, blocks of connectors



0335 73



0335 90



0335 76



Connector cat. 6A shielded STP

Pack	Cat.Nos	
1	0335 73	<p>Patch panel cat. 6A 24 x RJ 45 connectors</p> <p>Panel supplied with quick-fixing All enclosures or cabinets general assembly Panel ensures automatic grounding of each connector Fitted with rear cable guide to hold cables during maintenance Fitted with 4 units of 6 LCS² RJ 45 connectors cat. 6A with fast connection thanks to integrated crimping, with 568 A/B labelling Supplied with numbered colour labels Conform to standards ISO/IEC 11801 Ed. 2.0, draft amendment 2, EN 50173-2 and EIA/TIA 568 B2.10 19" panel - 1 U STP - Metal shielding 360°</p>
1	0335 90	<p>Modular panel</p> <p>Panel supplied with quick-fixing All enclosures or cabinets general assembly Panel ensures automatic grounding of each connector Fitted with rear cable guide to hold cables during maintenance Modular empty panel for up to 4 units Take the following equipment: - units of 6 x LCS² RJ 45 connectors - telephone inlet units - fibre optic units - PoE injector units - video streaming units - switch units - telephone/Ethernet doubler units - copper/fibre optic converter units - blanking plates 19" panel - 1 U</p>
2	0335 76	<p>Units of 6 x RJ 45 connectors cat. 6A</p> <p>Fitted with 6 x LCS² RJ 45 connectors cat. 6A with fast connection thanks to integrated crimping, with 568 A/B labelling Supplied with colour labels Conform to standards ISO/IEC 11801 Ed. 2.0, draft amendment z, EN 50173-2 and EIA/TIA 568 B2.10 STP unit - metal shielding 360° Blanking plate for 19" panel - Black</p>
10	0335 91	

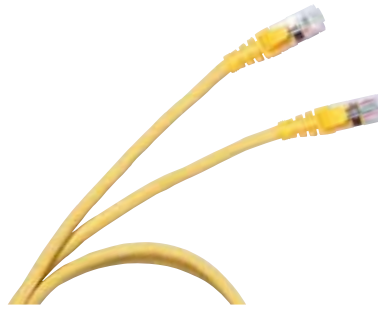
Legrand cabling system LCS² category 6A cables



0327 77

Pack	Cat.Nos	Cables for local networks cat. 6A
		Cables 4 pairs or 2 x 4 twisted pairs 100 ohms LSZH sleeve: halogen-free Yellow RAL 1018 Colour code EIA/TIA Conform to standards ISO/IEC 11801 Ed. 2.0, EN 50173-1 and EIA/TIA 568 B2.10 Performance 500 MHz
	LSZH	
500 ⁽¹⁾	0327 78	F/UTP - 4 pairs Performance 500 MHz Length 500 m Supplied on reel. Weight 25 kg
500 ⁽¹⁾	0328 78	F/UTP - 2x4 pairs Performance 500 MHz Length 500 m Supplied on reel. Weight 65 kg
500 ⁽¹⁾	0327 77	S/FTP - 4 pairs Performance 600 MHz Length 500 m Supplied on reel. Weight 30 kg

Legrand cabling system LCS² category 6A cords



0517 82

Pack	Cat.Nos	RJ 45 patch cords and user cords cat. 6A
		RJ 45 - RJ 45 right Conform to standards ISO/IEC 11801 Ed. 2.0, EN 50173-1 and EIA/TIA 568 B2.10 S/FTP shielded impedance 100 Ω
	PVC	
5	0517 80	Length 1 m
5	0517 81	Length 2 m
5	0517 82	Length 3 m
5	0517 83	Length 5 m
	LSZH	
5	0518 70	Length 1 m
5	0518 71	Length 2 m
5	0518 72	Length 3 m
5	0518 73	Length 5 m
5	0518 66	Length 1 m
5	0518 67	Length 2 m
5	0518 68	Length 3 m
5	0518 69	Length 5 m

(1) in metre(s)



Accessory connection equipment

Complete flexibility with the new LCS² zone boxes: centralisation of connections close to the work station, coexistence of copper and fibre optics



> Flexible installation with lines in reserve to meet future requirements quickly



> Reliable and fast connection to the LCS² zone box with sockets with copper and fibre optic feedthrough and RJ 45/RJ 45 cords

> Guaranteed performance across the whole LCS² system

Legrand cabling system LCS² category 6A zone distribution boxes



0335 40

Pack	Cat.Nos	Zone distribution boxes
1	0335 40	<p>For distribution of low current in a zone fitted with 1 to 12 RJ 45 sockets Centralise connections to guarantee flexibility and adaptability of the installation Installed on false ceiling or false floor Connect to the patch panel or the floor cabinet Connection to workstation for RJ 45 cords Can take switch Cat.No 0335 02 or PoE injector Cat.No 0335 01 or 6 connector unit Cat.No 0335 76 Conform to standards UTE C 15-900, NF C 15-100, NF C 20-730, EN 50-174.2, CEI 60950, ISO/IEC 11801 Ed. 2.0, EN 50173-2 and EIA/TIA 568 Colour code EIA/TIA 568 A and B Cords and cables: ISO 11801 id.2.0, EN 50173-1, EIA/TIA 568 Technical characteristics: - polycarbonate PC hood - polypropylene PP base - RAL 7035 - holds connector units in place on the box: 100 N - cables anchored on support using Colring cable ties</p> <p>Self-assembly zone distribution box Used for mounting LCS² RJ 45 connector blocks cat. 6A (p. 58), cat. 6 (p. 62) and cat. 5e (p. 68), of fibre optic accessories or blanking plates</p>

Legrand cabling system LCS² category 6A RJ 45 sockets



5734 32



0765 73



0765 76




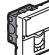
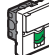

0765 24



0765 25

Sockets with LCS² connector with fast connection thanks to integrated crimping
Take AWG 22 single-core cables up to AWG 26 and AWG multicore cables
Contacts marked with dual colour code and numbers 568 A and B
Conforms to standards ISO/IEC 11801 Ed. 2.0, draft amendment 2, EN 50173-1 and EIA/TIA 568 B2.10

Pack	Cat.Nos	Arteor RJ 45 socket cat. 6A
		360° metal shielding
		STP - 1 module
20	5734 32	○ White
10	5728 06	● Magnesium
10	5723 52	○ White with green shutter
10	5728 52	● Magnesium with green shutter
10	5723 51	○ White with orange shutter
10	5728 51	● Magnesium with orange shutter
		STP with controlled access - 2 modules
		Supplied with 2 keys for 5 sockets
5	5723 50	○ White with red shutter
5	5728 50	● Magnesium with red shutter

Pack	Cat.Nos	Mosaic RJ 45 sockets cat. 6A
		360° metal shielding
		STP - 1 module
10	0765 73	○ White 
		STP - 2 modules
10	0765 76	○ White 
10	0765 24	○ White with green shutter 
10	0765 25	○ White with orange shutter 



Arteor Program audio/video sockets

see p. 82

Bold catalogue numbers are products normally available with Legrand (India) stockists.
Cat. nos. that are not bold - delivery within 4 - 8 weeks from the date of order.
Bold packing quantity is our mandatory packing. Orders to be placed by Legrand (India) stockists in multiples of the same.

Legrand cabling system LCS²

category 6

patch panels, blocks of connectors



0335 62



0335 90



0335 65



Connecteur cat. 6
STP blindé

Pack	Cat.Nos	Patch panels cat. 6 24 x RJ 45 connectors
		<p>Panels supplied with quick-fixing All enclosures or cabinets general assembly Panels ensure automatic grounding of each connector Fitted with rear cable guide to hold cables during maintenance Fitted with 4 units of 6 LCS² RJ 45 connectors cat. 6 connection with 110 tool, with 568 A/B labelling Supplied with colour labels numbered from 1 to 24 Conform to standards ISO/IEC 11801 Ed. 2.0, EN 50173-2 and EIA/TIA 568 19" 1 U panels</p>
1	0335 61	UTP panel - 8 contacts
1	0335 62	FTP panel - 9 contacts
1	0335 63	STP panel - metal shielding 360°
		UTP through panel
		24 x RJ 45 connectors
1	0335 89	UTP through panel

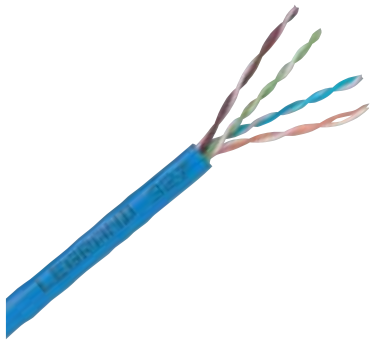
Pack	Cat.Nos	Modular panels
		<p>Panels supplied with quick-fixing General all-purpose assembly of all enclosures or cabinets Panels ensure automatic earthing of each connector Fitted with rear cable guide to hold cables during maintenance Empty panels to be fitted with 4 units Take the following equipment: - 6 LCS² RJ 45 connector units - telephone inlet units - fibre optic units - PoE injector units - video streaming units - switch units - telephone/Ethernet doubler units - copper/fibre optic converter units - blanking plates 19" panel - 1 U</p>
1	0335 90	

Pack	Cat.Nos	Units of 6 x RJ 45 connectors cat. 6
		<p>Fitted with 6 x LCS² RJ 45 connectors cat. 6 with fast connection thanks to integrated crimping, with 568 A/B labelling Supplied with colour labels Conform to standards ISO/IEC 11801 Ed. 2.0, EN 50173-1 and EIA/TIA 568</p>
2	0335 64	UTP unit - 8 contacts
2	0335 65	FTP unit - 9 contacts
2	0335 66	STP unit - metal shielding 360°
10	0335 91	Blanking plate for 19" panel - Black

Bold catalogue numbers are products normally available with Legrand (India) stockists.
Cat. nos. that are not bold - delivery within 4 - 8 weeks from the date of order.

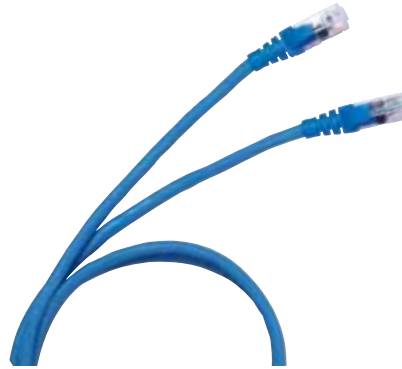
Bold packing quantity is our mandatory packing. Orders to be placed by Legrand (India) stockists in multiples of the same.

Legrand cabling system LCS² category 6 cables



0327 54

Legrand cabling system LCS² category 6 cords



0517 62

Pack	Cat.Nos	Cables for local networks cat. 6
		Cables 4 pairs or 2 x 4 twisted pairs 100 ohms Blue RAL 5015 Colour code EIA/TIA Conform to standards ISO/IEC 11801 Ed. 2.0, EN 50173-1 and EIA/TIA 568 B2.10
		U/UTP - 4 pairs
305 ⁽¹⁾	0327 54	Length 305 m Supplied in cardboard box. Weight 16 kg
500 ⁽¹⁾	0328 61	Length 500 m Supplied on reel. Weight 18 kg
1000 ⁽¹⁾	0328 71	Length 1000 m Supplied on reel
305 ⁽¹⁾	0327 55	Length 305 m Supplied in cardboard box. Weight 13 kg
500 ⁽¹⁾	0328 62	Length 500 m Supplied on reel. Weight 19 kg
1000 ⁽¹⁾	0328 72	Length 1000 m Supplied on reel
500 ⁽¹⁾	0328 63	U/UTP - 2 x 4 pairs Length 500 m Supplied in cardboard box. Weight 38 kg
305 ⁽¹⁾	0328 56	F/UTP - 4 pairs Length 305 m Supplied on reel. Weight 17 kg
500 ⁽¹⁾	0327 56	Length 500 m Supplied on reel. Weight 25 kg
305 ⁽¹⁾	0328 57	F/UTP - 4 pairs Length 305 m Supplied in cardboard box. Weight 17 kg
500 ⁽¹⁾	0327 58	Length 500 m Supplied on reel. Weight 25 kg
500 ⁽¹⁾	0327 76	F/UTP - 2 x 4 pairs Length 500 m Supplied on reel. Weight 48 kg
500 ⁽¹⁾	0328 58	Length 500 m Supplied on reel. Weight 45 kg
500 ⁽¹⁾	0327 57	SF/UTP - 4 pairs Length 500 m Supplied on reel. Weight 29 kg
500 ⁽¹⁾	0327 59	Length 500 m Supplied on reel. Weight 30 kg
500 ⁽¹⁾	0328 59	SF/UTP - 2 x 4 pairs Length 500 m Supplied on reel. Weight 52 kg

(1) in metre(s)

Pack	Cat.Nos	RJ 45 patch cords and user cords cat. 6	
		RJ 45 - RJ 45 right U/UTP unshielded impedance 100 Ω	
		PVC	
1	0517 72	Length 1 m	
1	0517 73	Length 2 m	
1	0517 74	Length 3 m	
1	0517 75	Length 5 m	
		LSZH	
1	0518 62	0518 58	Length 1 m
1	0518 63	0518 59	Length 2 m
1	0518 64	0518 60	Length 3 m
1	0518 65	0518 61	Length 5 m
		PVC	
1	0517 62	Length 1 m	
1	0517 63	Length 2 m	
1	0517 64	Length 3 m	
1	0517 65	Length 5 m	
		LSZH	
1	0518 54	0518 50	Length 1 m
1	0518 55	0518 51	Length 2 m
1	0518 56	0518 52	Length 3 m
1	0518 57	0518 53	Length 5 m
		PVC	
5	0517 52	Length 1 m	
5	0517 53	Length 2 m	
5	0517 54	Length 3 m	
5	0517 55	Length 5 m	

F/UTP screened impedance 100 Ω**SF/UTP shielded impedance 100 Ω**

Bold catalogue numbers are products normally available with Legrand (India) stockists.
Cat. nos. that are not bold - delivery within 4 - 8 weeks from the date of order.

Bold packing quantity is our mandatory packing. Orders to be placed by Legrand (India) stockists in multiples of the same.

Legrand cabling system LCS² category 6 zone distribution boxes



0335 46



0335 40



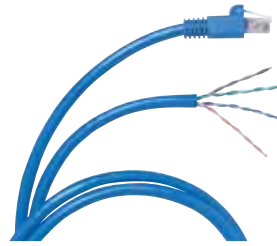
0335 40 fitted with SC fibre optic unit, accessory
Cat.No 0335 20 and a 6 x RJ 45 connector unit



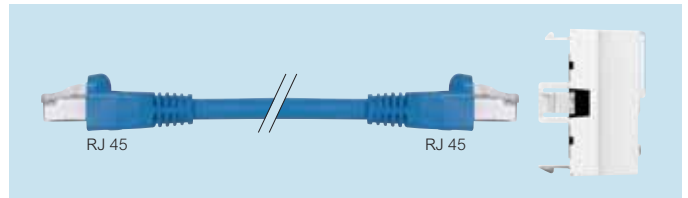
0335 20 accessory
fibre optics

Pack	Cat.Nos	Zone distribution boxes
		<p>For distribution of low current in a zone fitted with 1 to 12 RJ 45 sockets Centralise connections to guarantee flexibility and adaptability of the installation Installed on false ceiling or false floor Connect to the patch panel or the floor cabinet Connection to an RJ 45 socket with stripped cord or to a Arteur or Mosaic RJ 45 socket with copper feedthrough with an RJ 45/RJ 45 cord IP 21 - IK 07 Conform to standards UTE C 15-900, NF C 15-100, NF C 20-730, EN 50-174.2, CEI 60950, ISO/IEC 11801 Ed. 2.0, EN 50173-2 and EIA/TIA 568 Colour code EIA/TIA 568 A and B Cords and cables: ISO 11801 id.2.0, EN 50173-1, EIA/TIA 568 Technical characteristics: - polycarbonate PC hood - polypropylene PP base - RAL 7035 - holds connector units in place on the box: 100 N - Cables anchored on support using Colring cable ties</p> <p>Zone distribution boxes cat. 6 Fitted with 2 x 6 LCS² connector blocks RJ 45 cat. 6 and RJ 45 blanking plates Supplied with Colring cable ties</p>
1	0335 44	UTP
1	0335 45	FTP
1	0335 46	STP
1	0335 40	Self-assembly zone distribution box Used for mounting LCS ² RJ 45 connector blocks cat. 6 (p. 62)

Legrand cabling system LCS² category 6 cords specifically for zone distribution boxes



0517 57



Connection principle

Pack	Cat.Nos	Cords cat. 6 - RJ 45/stripped AWG 24
		<p>RJ 45 - straight stripped Clip on and off in the zone distribution boxes and connection via LCS² connector of an RJ 45 socket by the stripped side Cords prepared in factory, "ready for wiring". Conform to standards ISO/IEC 11801 Ed. 2.0, EN 50173-1 and EIA/TIA 568 Blue RAL 5015</p> <p>U/UTP unscreened impedance 100 Ω Length 8 m Length 15 m Length 20 m</p> <p>F/UTP screened impedance 100 Ω Length 8 m Length 15 m Length 20 m</p>
4	0517 57	
4	0517 58	
4	0517 59	
4	0517 96	
4	0517 97	
4	0517 98	
		<p>Cords cat. 6 - RJ 45/RJ 45 For direct connection via RJ 45 male plug to the zone distribution box and to the RJ 45 socket with copper feedthrough to ensure: - safe connection - speed and reliability of connection Blue RAL 5015</p> <p>U/UTP unscreened impedance 100 Ω Length 8 m Length 15 m Length 20 m</p> <p>F/UTP screened impedance 100 Ω Length 8 m Length 15 m Length 20 m</p>
4	0515 10	
4	0515 11	
4	0515 12	
4	0515 13	
4	0515 14	
4	0515 15	

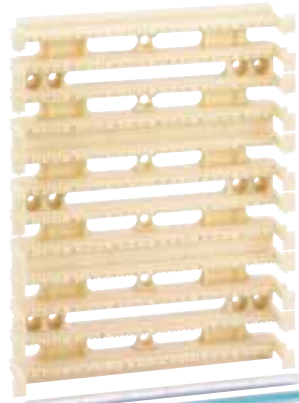
Legrand cabling system LCS² category 6 feedthrough sockets



5723 31

Pack	Cat.Nos	Sockets with copper feedthrough cat. 6
		<p>Easy connection at the rear through simply attaching a male plug Ensures network access for the RJ 45 socket Used to create links cat. 6 According to standards ISO 11801 Ed.2, EN 50173-1 and EIA/TIA 568 within the framework of operation with zone distribution boxes Multidirectional cord entry Installation possible in all supports with min. 40 mm depth 2 modules</p> <p>Cat. 6 UTP Arteor <input type="radio"/> White <input checked="" type="radio"/> Magnesium</p> <p>Cat. 6 FTP Arteor <input type="radio"/> White <input checked="" type="radio"/> Magnesium</p>
10	Arteor 5723 31	
10	5728 31	
10	5723 33	
10	5728 33	

Legrand cabling system LCS² category 6 110 Cross Connect System blocks and patch cords cat. 6

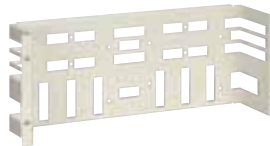


6339 70



6339 72

6339 29



6339 73

Pack	Cat.Nos	Block kits
		<ul style="list-style-type: none"> • block connection • 110C connecting blocks • includes base wiring block • label holders for designation <p>With legs</p>
1	6339 24	48-pair in 50-pair footprint
1	6339 25	96-pair in 100-pair footprint
1	6339 26	288-pair in 300-pair footprint
		Without legs
1	6339 27	48-pair in 50-pair footprint
1	6339 28	96-pair in 100-pair footprint
1	6339 29	288-pair in 300-pair footprint

Pack	Cat.Nos	Patch cords
		110/110 - 4 pairs
10	6339 12	Length 1 m
10	6339 13	Length 1.5 m
10	6339 14	Length 3 m
		110/RJ 45 - 4 pairs
10	6339 15	Length 1 m
10	6339 16	Length 1.5 m
10	6339 17	Length 3 m

Pack	Cat.Nos	Accessories
		110 tool
1	0332 60	110 tool
1	0332 61	Replacement blade
		Designation labelling Kits
5	6339 68	Pack of two clear strips and white paper
		Rivets
1	6339 71	Rivets (pack of 12)
		110 jumper troughs
1	6339 69	With legs, 27.3 x 6.83 x 11.9 mm
1	6339 70	Without legs, 21.6 x 6.83 x 6.83 mm
		19" enclosure mount 110 panel
1	6339 72	Panel for 2 x 100-pair blocks without legs, 2 U
1	6339 73	Panel for 2 x 100-pair blocks and two troughs without legs, 4 U

Legrand cabling system LCS²

category 6

RJ 45 sockets



5736 76



5736 28



0765 64

Sockets with LCS² connector with fast connection thanks to integrated crimping

Take AWG 22 single-core cables up to AWG 26 and AWG multicore cables

Contacts marked with dual colour code and numbers 568 A and B. Conforming to standards ISO/IEC 11801 Ed. 2.0, EN 50173-1 and EIA/TIA 568

Pack Cat.Nos **Arteor RJ 45 socket cat. 6**

Pack	Cat.Nos	Product Name	Options
20	5734 28	UTP - 1 module	○ White
20	5736 28		● Magnesium
10	5734 74	UTP - 2 modules	○ White
10	5736 74		● Magnesium
10	5723 24	UTP - 2 modules - round	○ White
10	5728 24		● Magnesium
5	5723 53	UTP with controlled access - 2 modules	○ White with red shutter
5	5728 53	Supplied with 2 keys for 5 sockets	● Magnesium with red shutter
1	5723 39	UTP retractable RJ 45 sockets - 4 modules	○ White
1	5728 39	With integrated retractable cord (0.9 m) Winds up automatically with a pushbutton	● Magnesium
10	5723 22	FTP - 1 module	○ White
10	5728 22		● Magnesium
10	5723 54		○ White with orange shutter
10	5728 54		● Magnesium with orange shutter
10	5723 55		○ White with green shutter
10	5728 55		● Magnesium with green shutter
10	5734 76	FTP - 2 modules	○ White
10	5736 76		● Magnesium
10	5734 34	Shielded STP - 1 module	○ White
10	5736 34		● Magnesium
10	5734 77	Shielded STP - 2 modules	○ White
10	5736 77		● Magnesium

Pack Cat.Nos **Prises RJ 45 Mosaic cat. 6**

Pack	Cat.Nos	Product Name	Options
10	0765 61	UTP - 1 module	○ White
10	0765 64	UTP - 2 modules	○ White
5	0765 94	UTP with controlled access - 2 modules	○ White with red shutter
10	0765 91	UTP 90° - 2 modules	○ White
1	0765 03	UTP 45° - 2 modules	○ White
1	0765 04	UTP 45° - 2 x RJ 45 - 2 modules	○ White
5	0765 44	UTP 2 x RJ 45 with Soluclip accessory - 3 modules	○ White
		For snap-on mounting on DLP trunking with 45 mm cover	

Bold catalogue numbers are products normally available with Legrand (India) stockists.

Cat. nos. that are not bold - delivery within 4 - 8 weeks from the date of order.

Bold packing quantity is our mandatory packing. Orders to be placed by Legrand (India) stockists in multiples of the same.

Legrand cabling system LCS² category 6 RJ 45 sockets



0765 63



0765 96



0765 33 + cover plate 6745 54

Sockets with LCS² connector with fast connection thanks to integrated crimping

Take AWG 22 single-core cables up to AWG 26 and AWG multicore cables

Contacts marked with dual colour code and numbers 568 A and B. Conforming to standards ISO/IEC 11801 Ed. 2.0, EN 50173-1 and EIA/TIA 568

Pack Cat.Nos Mosaic RJ 45 sockets cat. 6 (continued)

Pack	Cat.Nos	Mosaic RJ 45 sockets cat. 6 (continued)
10	0765 62	FTP - 1 module ○ White
10	0765 65	FTP - 2 modules ○ White
10	0765 22	○ White with green shutter
10	0765 23	○ White with orange shutter
5	0765 46	FTP 2 x RJ 45 with Soluclip accessory - 3 modules For snap-on mounting on trunking with 45 mm cover ○ White
5	0765 95	FTP with controlled access - 2 modules Supplied with 2 keys for 5 sockets ○ White with red shutter
10	0765 05	FTP 45° - 2 modules ○ White
5	0765 06	FTP 2 x RJ 45 45° - 2 modules ○ White

Pack Cat.Nos Mosaic RJ 45 sockets cat. 6 (continued)

Pack	Cat.Nos	Mosaic RJ 45 sockets cat. 6 (continued)
1/10	0765 33	FTP retractable RJ 45 sockets - 4 modules With integrated retractable cord (0.9 m) Winds up automatically with a pushbutton ○ White
10	0765 92	FTP 90° - 2 modules Vertical snap-on socket for column module ○ White
10	0765 63	Shielded STP - 1 module ○ White
10	0765 66	Shielded STP - 2 modules ○ White
5	0765 96	Shielded STP with controlled access - 2 modules Supplied with 2 keys for 5 sockets ○ White with red shutter
10	0765 93	Shielded STP 90° - 2 modules Vertical snap-on socket for column module ○ White

Bold catalogue numbers are products normally available with Legrand (India) stockists.

Cat. nos. that are not bold - delivery within 4 - 8 weeks from the date of order.

Bold packing quantity is our mandatory packing. Orders to be placed by Legrand (India) stockists in multiples of the same.

Legrand cabling system LCS²

category 5e

patch panels, blocks of connectors



0335 52



0335 90



0335 55



Connecteur cat. 5e FTP

Pack	Cat.Nos	Patch panels cat. 5e 24 x RJ 45 connectors
		<p>Panels supplied with quick mounting All enclosures or cabinets general assembly Panels ensure automatic grounding of each connector Fitted with rear cable guide to hold cables during maintenance Fitted with 4 units of 6 LCS² RJ 45 connectors cat 5e with fast connection thanks to integrated crimping, with 568 A/B labelling Supplied with colour labels numbered from 1 to 24 Conform to standards ISO/IEC 11801 Ed. 2.0, EN 50173-1 and EIA/TIA 568 19" panel - 1 U</p>
1	0335 51	UTP panel UTP panel - 8 contacts
1	0335 52	FTP panel FTP panel - 9 contacts
1	0335 88	UTP through panel 24 RJ 45 connectors UTP through panel

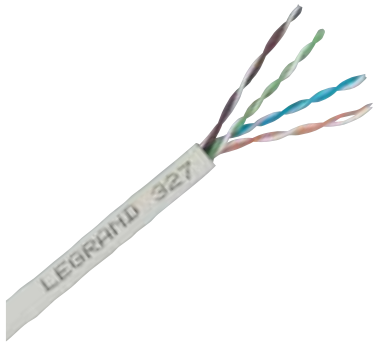
Pack	Cat.Nos	Modular panels
		<p>Panels supplied with fast assembly All enclosures or cabinets general assembly Panels ensure automatic grounding of each connector Fitted with rear cable guide to hold cables during maintenance Modular empty panels for up to 4 units Takes the following equipment: - units of 6 LCS² RJ 45 connectors - units for telephone inlets - fibre optic units - PoE injector units - video streaming units - switch units - telephone/Ethernet doubler units - copper/fibre optic converter units - blanking plates</p>
1	0335 90	19" panel - 1 U

Pack	Cat.Nos	Units of 6 x RJ 45 connectors cat. 5e
		<p>Fitted with 6 x LCS² RJ 45 connectors cat. 5e with fast connection thanks to integrated crimping, with 568 A/B labelling Supplied with colour labels Conforms to standards ISO/IEC 11801 Ed. 2.0, EN 50173-1 and EIA/TIA 568</p>
2	0335 54	UTP unit
2	0335 55	FTP unit
10	0335 91	Blanking plate for 19" panel - Black

Bold catalogue numbers are products normally available with Legrand (India) stockists.
Cat. nos. that are not bold - delivery within 4 - 8 weeks from the date of order.

Bold packing quantity is our mandatory packing. Orders to be placed by Legrand (India) stockists in multiples of the same.

Legrand cabling system LCS² category 5e cables



0328 50

Legrand cabling system LCS² category 5e cords



0516 40

Pack	Cat.Nos	Cables for local networks cat. 5e
		4 twisted pair cables 100 ohms LSZH sleeve: non-halogen Grey RAL 7035 Colour code EIA/TIA
		U/UTP - 4 pairs
305 ⁽¹⁾	LSZH 0327 50 PVC	Length 305m Supplied in cardboard box. Weight 10 kg
500 ⁽¹⁾	0328 53	Length 500 m Supplied on reel. Weight 15 kg
1000 ⁽¹⁾	0328 73	Length 1000 m Supplied on reel
305 ⁽¹⁾	0327 51	Length 305m Supplied in cardboard box. Weight 9 kg
500 ⁽¹⁾	0328 54	Length 500 m Supplied on reel. Weight 15 kg
1000 ⁽¹⁾	0328 74	Length 1000 m Supplied on reel
		U/UTP - 2x4 pairs
500 ⁽¹⁾	0328 55	Length 500 m Supplied on reel. Weight 34 kg
500 ⁽¹⁾	0327 73	Length 500 m Supplied on reel
		F/UTP - 4 pairs
305 ⁽¹⁾	0327 52	Length 305 m Supplied in cardboard box. Weight 12 kg
500 ⁽¹⁾	0328 50	Length 500 m Supplied on reel. Weight 21 kg
305 ⁽¹⁾	0327 53	Length 305 m Supplied by box. Weight 11 kg
500 ⁽¹⁾	0328 51	Length 500 m Supplied on reel. Weight 20 kg
		F/UTP - 2x4 pairs
500 ⁽¹⁾	0327 74	Length 500 m Supplied on reel. Weight 38 kg
500 ⁽¹⁾	0328 52	Length 500 m Supplied on reel. Weight 34 kg

Pack	Cat.Nos	RJ 45 patch cords and user cords cat. 5e
		RJ 45 - RJ 45 right
		U/UTP unscreened impedance 100 Ω
	PVC	Grey
1	0516 36	Length 1m
1	0516 37	Length 2m
1	0516 38	Length 3m
1	0516 39	Length 5m
		F/UTP screened impedance 100 Ω
		Grey
1	0516 40	Length 1 m
1	0516 41	Length 2 m
1	0516 42	Length 3 m
1	0516 43	Length 5 m

(1) in metre(s)

Bold catalogue numbers are products normally available with Legrand (India) stockists.
Cat. nos. that are not bold - delivery within 4 - 8 weeks from the date of order.
Bold packing quantity is our mandatory packing. Orders to be placed by Legrand (India) stockists in multiples of the same.

Legrand cabling system LCS² category 5e zone distribution boxes



0335 40



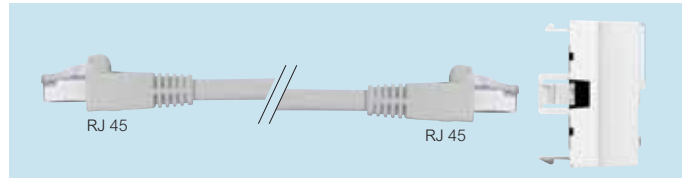
0335 40 fitted with SC fibre optic unit, accessory
Cat. No. 0335 20 and a 6 x RJ 45 connector unit

Pack	Cat.Nos	Zone distribution boxes
1	0335 40	<p>For distribution of low current in a zone fitted with 1 to 12 RJ 45 sockets Centralise connections to guarantee flexibility and adaptability of the installation</p> <p>Installed on false ceiling or false floor Connect to the patch panel or the floor cabinet Connection to an RJ 45 socket with stripped cord or (see p.64) to a Arteor or Mosaic RJ 45 socket with copper feedthrough with an RJ 45/RJ 45 cord IP 21 - IK 07</p> <p>Conform to standards UTE C 15-900, NF C 15-100, NF C 20-730, EN 50-174.2, CEI 60950, ISO/IEC 11801 Ed. 2.0, EN 50173-2 and EIA/TIA 568 Colour code EIA/TIA 568 A and B Cords and cables: ISO 11801 id.2.0, EN 50173-1, EIA/TIA 568</p> <p>Technical characteristics: - polycarbonate PC hood - polypropylene PP base - RAL 7035 - holds connector units in place on the box: 100 N - Cables anchored on support using Colring cable ties</p> <p>Self-assembly zone distribution box Used for mounting LCS² RJ 45 connector blocks cat. 5e (p. 68)</p>

Legrand cabling system LCS² category 5e cords specifically for zone distribution boxes feedthrough sockets



0515 03



Connection principle

Pack	Cat.Nos	Cords cat. 5e - RJ 45 / stripped
4	0517 90	<p>RJ 45 - straight stripped. Clip on and off in the zone distribution boxes and RJ 45 socket connection via LCS² connector via the stripped side. Cords prepared in factory, "ready for wiring". Conforms to standards ISO/IEC 11801 Ed. 2.0, EN 50173-1 and EIA/TIA 568. Grey RAL 7035</p> <p>U/UTP unscreened impedance 100 Ω Length 8 m Length 15 m Length 20 m</p> <p>F/UTP screened impedance 100 Ω Length 8 m Length 15 m Length 20 m</p>
4	0517 91	
4	0517 92	
4	0517 93	<p>Cords cat. 5e - RJ 45/RJ 45</p> <p>For direct connection via RJ 45 male plug to the zone distribution box and to the RJ 45 socket with copper feedthrough to ensure: - safe connection - speed and reliability of connection Grey RAL 7035</p> <p>U/UTP unscreened impedance 100 Ω Length 8 m Length 15 m Length 20 m</p> <p>F/UTP unscreened impedance 100 Ω Length 8 m Length 15 m Length 20 m</p>
4	0517 94	
4	0517 95	
10	Arteor 5723 30	<p>Sockets with copper feedthrough cat. 5e</p> <p>Easy connection at the rear through simply attaching a male plug. Ensures network access for the RJ 45 socket. Used to create cat. 5e links. According to standards ISO 11801 Ed.2, EN 50173-1 and EIA/TIA 568 within the framework of operation with zone distribution boxes. Multidirectional cord entry. Installation possible in all supports with a min. 40 mm depth. 2 modules</p> <p>Cat. 5e UTP</p> <p>○ White ● Magnesium</p>
10	5728 30	
10	Arteor 5723 32	<p>Cat. 5e FTP</p> <p>○ White ● Magnesium</p>
10	5728 32	

Legrand cabling system LCS²

category 5e

RJ 45 sockets



5734 75



0765 52



0695 57


Sockets with LCS² connector with fast connection thanks to integrated crimping
 Take AWG 22 single-core cables up to AWG 26 and AWG 26 multicore cables
 Contacts marked with dual colour code and numbers 568 A and B
 Side cable inlet for easy installation in all supports
 Conforms to standards ISO/IEC 11801 Ed. 2.0, EN 50173-1 and EIA/TIA 568

Pack Cat.Nos Arteur RJ 45 socket cat. 5e

Pack	Cat.Nos	Arteur RJ 45 socket cat. 5e
20	5734 29	UTP - 1 module ○ White ● Magnesium
20	5736 29	
10	5734 75	UTP - 2 modules ○ White ● Magnesium
10	5736 75	
10	5734 30	FTP - 1 module ○ White ● Magnesium
10	5736 30	

Pack Cat.Nos Mosaic RJ 45 sockets cat. 5e

Pack	Cat.Nos	Mosaic RJ 45 sockets cat. 5e
10	0765 51	UTP - 1 module ○ White
10	0765 54	UTP - 2 modules ○ White
5	0765 97	UTP with controlled access - 2 modules Supplied with 2 keys for 5 sockets ○ White with red shutter
5	0765 41	UTP - 2 x RJ 45 with Soluclip accessory - 3 modules For snap-on mounting on DLP trunking with 45 mm cover ○ White
1	0765 30	UTP retractable RJ 45 socket - 4 modules With integrated retractable cord (0.9m) Winds up automatically with a pushbutton ○ White
10	0765 01	UTP 45° - 2 modules ○ White
5	0765 02	2 x RJ 45 UTP 45° - 2 modules ○ White
10	0765 52	FTP - 1 module ○ White
10	0765 55	FTP - 2 modules ○ White
5	0765 42	FTP - 2 x RJ 45 with Soluclip accessory - 3 modules For snap-on mounting on Mosaic trunking with 45 mm cover ○ White



Arteur audio/video sockets

see p. 82

Pack	Cat.Nos	Plexo RJ 45 sockets, cat. 5e - IP 55 closed flap IK 07
1/20	0695 57	Protection against water, dust For industrial sites FTP socket ○ Grey/White
1/20	0695 56	
1	0695 81	UTP socket ○ Grey/White Adapter for RJ 45 socket Ensures weatherproofing (IP 44) with the plug inserted ○ Grey/White

Arteur sockets with copper feedthrough
 (p. 70)

Legrand cabling system LCS²

LCS² system additional products cat. 6A, LCS² cat. 6, LCS² cat. 5e



0335 39



0335 34



0335 12



0335 16



0335 02



0332 93



0335 01



0327 37

Pack	Cat.Nos	Modular panels
1	0335 90	<p>Panels supplied with captive screws and cage nuts or with fast fixing Universal mounting for all enclosures or cabinets Panels ensure automatic earthing of each connector Fitted with rear cable guide to hold cables in place during maintenance Modular empty panels for up to 4 units Take the following equipment: - units of 6 x LCS² RJ 45 connectors - units for telephone inlets - fibre optic units - PoE injector units - video streaming units - switch units - telephone/Ethernet doubler units - copper/fibre optic converter units - blanking plates 19" panel - 1 U</p>

Pack	Cat.Nos	Doubler units
2	0335 54	UTP unit
2	0335 55	FTP unit
10	0335 91	Blanking plate for 19" panel - Black
1	0335 39	Ethernet/Ethernet doublers 100 base T
1	0335 38	FTP - 9 contacts UTP - 8 contacts
1	0335 37	Telephone/Ethernet doublers 100 base T
1	0335 36	FTP - 9 contacts UTP - 8 contacts
1	0335 35	Telephone/telephone doubler 45 contacts

Pack	Cat.Nos	Video streaming unit
1	0335 34	Block of 6 "F" connectors for video circuits

Pack	Cat.Nos	Fibre optic units
1	0335 13	Clip directly onto optic enclosure Cat.No 0335 10 (p. 78), on the patch panels with fibre optic cassette Cat.No 0335 11 (p. 78) or in the zone distribution boxes with fibre optic accessory Cat.No 0335 20 (p. 80)
1	0335 12	Monomode fibre units (9/125 µm) LC unit for 6 monomode fibres SC unit for 6 monomode fibres
1	0335 16	Multimode fibre units (62.5 and 50/125 µm) ST unit for 6 multimode fibres
1	0335 17	SC unit for 6 multimode fibres
1	0335 18	LC unit for 6 multimode fibres
1	0335 19	High-density LC unit for 12 multimode fibres

Pack	Cat.Nos	Blanking plates
10	0517 40	Set of 12 blanking plugs for RJ 45 LCS² connector White
10	0517 41	Black
10	0335 91	Blanking plate for 19" panel Black

Pack	Cat.Nos	Ethernet switches 100 Mbps
1	0335 02	<p>Mounted in the patch panel Conform with standards IEEE 802-3, EN 500 81-1 and EN 500 82-1 (Conformity with EMC requirements)</p> <p>Switch units for patch panel Clip directly onto the patch panels 7 RJ 45 ports at the front, 1 of which is a cascade port</p>
1	0335 05	<p>Power supply with transformer provided 6 RJ 45 ports + 1 LC type optic port with front-mounted cascade 100 base FX type LC Power supply via transformer provided</p> <p>Boxes to be installed on shelf 5 RJ 45 port switch Power supply via transformer provided Dimensions : 116 x 70 x 25</p>
1	0332 91	<p>8 RJ 45 port switch Power supply via transformer provided Dimensions : 171 x 98 x 29</p> <p>Mini shelf For switch Cat.Nos 0332 91/93 Dimensions: 220 x 220 x 43 mm For horizontal, vertical or projecting mounting of the switch Supplied with system for retaining the live product</p>

Pack	Cat.Nos	Copper/fibre optic converter units
1	0335 06	Simply and quickly permit copper to fibre conversion and vice versa Clip directly onto the patch panels Fitted with an SC type fibre optic connector
1	0335 07	10/100 base T to 10/100 base FX type SC 1000 base T to 1000 base SX type SC

Pack	Cat.Nos	Midspan Power over Ethernet (PoE) injectors
1	0335 01	4 inlets/outlets Used for supplying 4 Wi-Fi access points Clips directly onto a patch panel
1	0327 37	1 inlet / outlet Used for supplying a Wi-Fi access point Direct connection to the patch panel

Bold catalogue numbers are products normally available with Legrand (India) stockists.
Cat. nos. that are not bold - delivery within 4 - 8 weeks from the date of order.

Bold packing quantity is our mandatory packing. Orders to be placed by Legrand (India) stockists in multiples of the same.

Legrand cabling system LCS²

doubler sockets and accessories



RJ 45 doubler sockets

Pack	Cat.Nos	Description
10	Arteor 5723 36	Telephone/Ethernet FTP - 9 contacts ○ White
10	5728 36	FTP - 9 contacts ● Magnesium
10	Mosaic 0765 37	FTP - 9 contacts
10	Arteor 5723 35	UTP - 8 contacts ○ White
10	5728 35	UTP - 8 contacts ● Magnesium
10	Mosaic 0765 36	UTP - 8 contacts
10	Mosaic 0765 39	Ethernet/Ethernet FTP - 9 contacts
10	0765 38	UTP - 8 contacts
10	Mosaic 0765 35	Telephone/telephone 45 contacts

Cable protection accessories

Pack	Cat.Nos	Description
		Plastic material IP 66/67 guaranteed connection with the pair 0533 02 IP 55 with no connection for base with shutter Protection for RJ 45 shielded or unshielded cables ensuring a link of category 5 Conform to standards of the IEC 60603-7 series and to standard IEC 61076-3-106 (version 5) Compatible with products on the market Compatible with products on the market conforming to the standards listed
3	0533 00	Plug Integrated PE with sealing ring and clamping blades Tool-free assembly Ability to protect cables of category 5, 6 and 10 Gb
3	0533 01	Flush-mounting base Locking base Supplied with RJ 45 female / female coupler cat. 5
3	0533 02	Kit Flush-mounting base + plug
3	0533 03	Protective flap Fits on base Cat.No 0533 01

Mobile doublers

Pack	Cat.Nos	Description
10	0327 83	Clip into RJ 45 sockets to double applications TV/computer network or telephone double connector
10	0327 47	Telephone/telephone doubler
10	0327 45	Computer network/telephone doubler
10	0327 46	L1/L2 telephone doubler
10	0327 48	Computer network/computer network double connector

RJ plugs for round cables

Pack	Cat.Nos	Description
50	0517 01	Gold coated contacts 1.2 µm RJ 11 4 contacts, width 9.65 mm
50	0517 02	RJ 12 6 contacts, width 9.65 mm
50	0517 03	RJ 45 cat. 5e 8 contacts, width 11.70 mm
50	0517 04	9 contacts, width 11.70 mm
50	0517 06	RJ 45 sleeves Black
50	0517 07	White

Weatherproof adaptors

Pack	Cat.Nos	Description
10	Grey/White 0695 80	IP 55 - IK 07 Allows all functions to be adapted 2 Mosaic modules IP 55 operation Adapter with smoked flap
1	0695 79	Adapter with smoked flap lockable by special tool
1	0695 81	Adapter for RJ socket ensuring IP 44 waterproofness cable already connected
1	0919 45	Locking tool (used for changing vandal-proof screws)
		Soliroc adapter Used for adapting all functions 2 Mosaic modules IK 10 - IP 55
1	0778 80	Adapter with flap
1	0778 81	Adapter without flap
5	0539 49	Hypra adapter IP 55 adapter base

Stripping tool

Pack	Cat.Nos	Description
		Slits the sheath and releases the conductors by rotation For twisted pair cables Does not damage the conductors
1	0332 62	Stripper For twisted pair and fibre optic cable
1	0327 60	Cutting pliers Cuts wires cleanly without damaging the copper

Crimping tool for RJ 45 plugs

Pack	Cat.Nos	Description
1	0517 09	Used for crimping plugs RJ 4/6/8/9 contacts Ratchet control of crimping mechanism Able to cut and strip cables Tool with 3 crimping points High resistance steel material

110 tool

Pack	Cat.Nos	Description
1	0332 60	110 tool
1	0332 61	Replacement blade

Legrand cabling system LCS² telephone panels, units and cables



0335 79

Legrand cabling system LCS² Wi-Fi switches, distributors and Wi-Fi access points



5720 83



0332 80



Technical characteristics (p. 105)

Patch panel telephone 50 ports 110 connect

Pack	Cat.Nos
1	0335 79

19" panel - 1 U

Cables for telephone networks cat. 3

1	0328 91	PVC sleeve Colour white Colour code EIA/TIA U/UTP - 50 pairs Length 500m Supplied on reel
1	0328 88	U/UTP - 100 pairs Length 500m Supplied on reel

Panels and units for incoming telephone

Panels assembled - 1 U	
1	0335 31
1	0335 30
Incoming telephone units for self-assembly panels	
2	0335 33
2	0335 32

Fitted with 4 LCS² RJ 45 units of 12 ports with fast tool-free connection
3-6/4-5 contacts for digital telephone
4-5/7-8 contacts for analogue telephone

Fitted with 12 LCS² RJ 45 ports with fast tool-free connection

3-6/4-5 contacts for digital telephone
4-5/7-8 contacts for analogue telephone

Flush-mounting 10/100 base T switches

Pack	Cat.Nos
1	5720 84
1	5728 84
1	5720 83
1	5728 83
1	Arteor 5720 85
1	5728 85

For networking computer peripherals without a patch panel: computers, printers, servers, etc.
Possibility of extending an existing network by simply replacing an RJ 45 socket
Tool-free connection
Conform with standards IEEE 802.3 (Ethernet) and EN 500 81/82-2 (EMC requirements)
Installation in all supports with minimum 40 mm depth
6 ports at the front + 1 side RJ 45 connector for cabling and carrying out link tests
Port status display integrated into the RJ 45 connectors
Labelling of each port from 1 to 6 and marker holder for switch identification
6 modules

Non-manageable

PoE power supply (Power over Ethernet - standard 802.3 af)
○ White
● Magnesium

230 V~ power supply
○ White
● Magnesium

Manageable

230 V~ power supply
○ White
● Magnesium

Mosaic VDI distribution block without connectors

1	0332 80
---	---------

16 modules
Dimensions: 135 x 223 x 57 mm
For small patch panel
For mounting a Mosaic switch
Cat.Nos 0779 00/01/20

RJ 45 Patch cords and user cords cat. 6 (p. 63)

Bold catalogue numbers are products normally available with Legrand (India) stockists.
Cat. nos. that are not bold - delivery within 4 - 8 weeks from the date of order.

Bold packing quantity is our mandatory packing. Orders to be placed by Legrand (India) stockists in multiples of the same.

Legrand cabling system LCS²

Wi-Fi

switches, distributors and Wi-Fi access points (continued)



5723 76



0779 13

Manageable Wi-Fi access points 802.11a & b/g

Pack	Cat.Nos	
		Dual-band and dual-radio. Conform with standards 802.11a and 802.11b/g Gross speed: 54 Mbps max. on each frequency (802.11a and 802.11g) simultaneously Can be installed in addition to a new or existing LCS/LCS ² structured wiring system to meet mobile working requirements Can be integrated into all compatible supports with minimum 40 mm depth Tool-free network connection via RJ 45 connector PoE power supply (Power over Ethernet - standard 802.3 af) The installation must include at least: - Wi-Fi access point - a PoE injector conforming with 802.3 af (LCS ² unit format) to be installed in the patch panel The management function allows the network administrator to manage Wi-Fi access points remotely via a web interface Security via WPA2 encryption (802.11i) and 802.1x authentication Guest access: allows visitors free access to the Internet (access independent of the main Wi-Fi network). 4 modules
1	Arteor 5723 76	With RJ 45 socket on front ○ White
1	5728 76	With RJ 45 socket on front ● Magnesium
1	5723 77	With no RJ 45 socket ○ White
1	5728 77	With no RJ 45 socket ● Magnesium
1	5723 78	With no RJ 45 socket Standard 802.11 only ○ White
1	5728 78	With no RJ 45 socket Standard 802.11 only ● Magnesium
1	Mosaic 0779 14	With RJ 45 socket on front ○ White
1	0779 13	With no RJ 45 socket ○ White

Manageable Wi-Fi access points 802.11n

1	0335 21	Wi-Fi ceiling mounted access point 802.11n
1	0335 22	Wi-Fi surface mounted access point 802.11n

Wi-Fi network management system

		Controller 5APs
1	0335 25	Controller 5APs
		Extension licence
		Ability to control up to 25 APs (for more than 25 APs please contact Legrand) Card that adds to the controller Cat.No 0335 25
1	0335 26	Up to 10 AP
1	0335 27	Up to 25 AP
		Access point manager (disembodied)
		Aps centralised configuration software
1	0335 24	Access point manager

Midspan Power over Ethernet (PoE) injectors

1	0335 01	4 inlets/outlets Used for supplying 4 Wi-Fi access points Clips directly onto a patch panel
1	0327 37	1 inlet / outlet Used for supplying a Wi-Fi access point Direct connection to the patch panel

←←← LCS² WI-FI ACCESS POINTS

Optimised installation of Wi-Fi access points

Wi-Fi performance is linked closely to its installation. It is the key for success in guaranteeing good connectivity for each user for each application.



KEY ELEMENTS FOR DETERMINING THE INSTALLATION AND SIZING OF A WI-FI NETWORK

- ▶ **Features of the building:** types of walls, surface, coverage area, environment, etc.
- ▶ **Wi-Fi network usages:** telephone and office information systems, public access, hot spots, etc., directly determine connection speed
- ▶ **Number of users in each room:** capacity in terms of who can connect to the Wi-Fi network.

V THE LEGRAND WI-FI SYSTEM OFFER

The offer is based on quick and intuitive installation and settings. Legrand's sales teams will help you with your projects.

Bold catalogue numbers are products normally available with Legrand (India) stockists.
Cat. nos. that are not bold - delivery within 4 - 8 weeks from the date of order.

Bold packing quantity is our mandatory packing. Orders to be placed by Legrand (India) stockists in multiples of the same.

Legrand cabling system LCS² fibre optic fibre cables



0325 15



0325 06



0325 10



0325 08

Fibre cables:

- fibre colour code: FOTAG
- standard: EN 50173-2, ISO IEC 11801

Pack	Cat.Nos		OS 1 singlemode optical cables (9/125 µm)
	Loose tube	900 µm Tight tube	For 9/125 µm singlemode installations (OS 1) Yellow jacket Indoor/outdoor (universal) 6 fibres
2000 ⁽¹⁾	0325 12		Outdoor, corrugated steel tape 6 fibres
2000 ⁽¹⁾	0325 13	0325 50	Indoor/outdoor (universal) 12 fibres
2000 ⁽¹⁾	0325 14		Outdoor, corrugated steel tape 12 fibres
2000 ⁽¹⁾	0325 15		Indoor/outdoor (universal) 24 fibres
2000 ⁽¹⁾	0325 51		

Pack	Cat.Nos		OM 3 multimode optical cables (50/125 µm)
	Loose tube	900 µm Tight tube	For 50/125 µm multimode installations (OM 3) Green jacket 10 Gigabit Ethernet compliant Indoor/outdoor (universal) 6 fibres
2000 ⁽¹⁾	0325 10		Indoor/outdoor (universal) 12 fibres
2000 ⁽¹⁾	0325 11		Indoor/outdoor (universal) 24 fibres
2000 ⁽¹⁾	0325 53	0325 52	

Pack	Cat.Nos		OM 2 multimode optical cables (50/125 µm)
	Loose tube	900 µm Tight tube	For 50/125 µm multimode installations (OM 2) Orange jacket Indoor/outdoor (universal) 2 fibres
2000 ⁽¹⁾	0325 54		Indoor/outdoor (universal) 4 fibres
2000 ⁽¹⁾	0325 59	0325 55	Indoor/outdoor (universal) 6 fibres
2000 ⁽¹⁾	0325 04	0325 08	Outdoor, corrugated steel tape 6 fibres
2000 ⁽¹⁾	0325 05		Outdoor, corrugated steel tape 12 fibres
2000 ⁽¹⁾	0325 06	0325 09	Indoor/outdoor (universal) 12 fibres
2000 ⁽¹⁾	0325 07		Outdoor, corrugated steel tape 12 fibres
2000 ⁽¹⁾	0325 60	0325 58	Indoor/outdoor (universal) 24 fibres

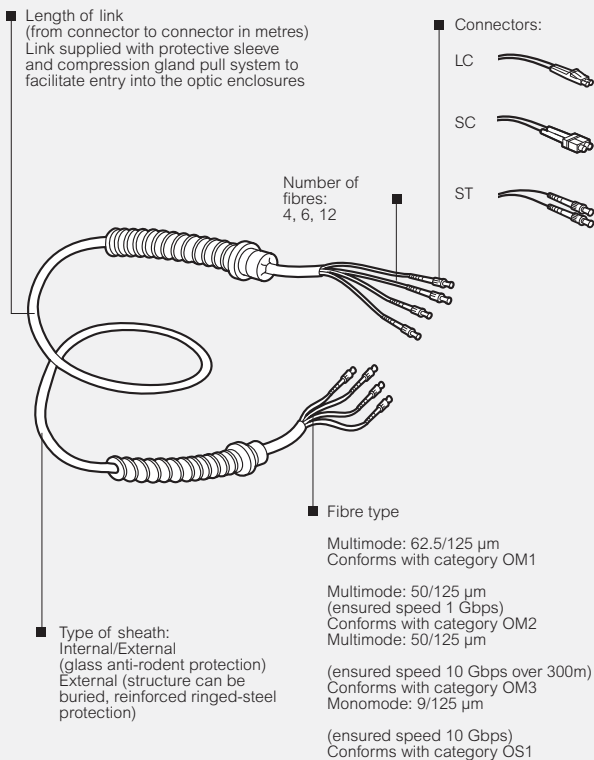
Pack	Cat.Nos		OM 1 multimode optical cables (62.5/125 µm)
	900 µm Tight tube		For 62.5/125 µm multimode installations (OM 1) Orange jacket Indoor/outdoor (universal) 6 fibres
2000 ⁽¹⁾	0325 00		Indoor/outdoor (universal) 12 fibres
2000 ⁽¹⁾	0325 01		

(1) in metre(s)

customised fibre optic links

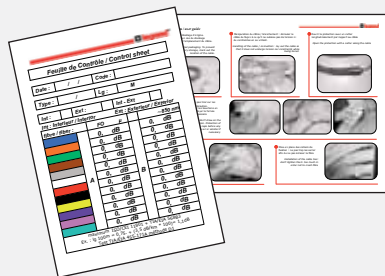


↓ FIBRES PRE-FITTED WITH CONNECTORS



↓ DOCUMENTS

Each link is supplied with a test report (fibre by fibre) and illustrated operating instructions



↓ PACKAGING

According to length of link:
- packed on a reel
- packed on a ring
Connector protection by tube



Reel

Legrand cabling system LCS² fibre optic case and rapid crimping connectors

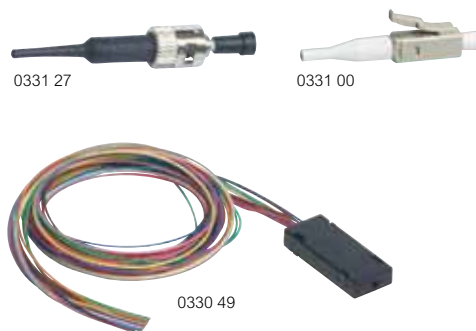


Installation and performance principles (p. 81)

Pack	Cat.Nos	Rapid crimping connectors 900 µm
		Prepolished connectors with ceramic ferrule (UPC) Attenuation < 0.3 dB No glue, polishing or current supply required Unlimited storage period For exclusive use with case Cat.No 0331 93
		Monomode connectors
10	0331 12	LC connector for 9/125 µm fibre
10	0331 13	SC connector for 9/125 µm fibre
		Multimode connectors
10	0331 06	LC 10 Gb connector for 50/125 µm
10	0331 07	SC 10 Gb connector for 50/125 µm
10	0331 08	ST 10 Gb connector for 50/125 µm
10	0331 09	LC connector for 62.5/125 µm fibre
10	0331 10	SC connector for 62.5/125 µm fibre
10	0331 11	ST connector for 62.5/125 µm fibre

Pack	Cat.Nos	Installation case for rapid crimping connector
1	0331 93	Used for quick and simple installation of ST, SC or LC fibre connectors Complete kit supplied with: - installation instructions and video - stripping tool (for fibres and cables) - cleaving tool - microscope for checking the quality of the cut - crimping tool - accessories (scissors, marker, wipes)

Legrand cabling system LCS² fibre optic Mosaic glue-on connectors and sockets



Pack	Cat.Nos	Precision Fibre Optic Cleaver
1	0331 97	FO cleaver

Pack	Cat.Nos	Pigtails
		Supplied with 900 µm sleeve, 1 m
6	0326 22	10 Gb - 50/125 µm SC connector
6	0326 23	LC connector
1	0326 27	6 x LC-PC connectors
1	0326 26	12 x LC-PC connectors
		9/125 µm
6	0326 20	SC connector
6	0326 21	LC connector
1	0326 25	6 x LC-UPC connectors
1	0326 24	12 x LC-UPC connectors
		Thermoretractable sleeve for pigtails
1	0327 44	40 mm - pack of 50 sleeves

Pack	Cat.Nos	Glue-on connectors 50/125 and 62.5/125 µm
		Supplied with sleeve 900 µm Connectors with ceramic ferrule Typical attenuation: 0.3 dB
10	0331 27	ST connector
10	0331 47	SC connector
10	0331 00	LC connector

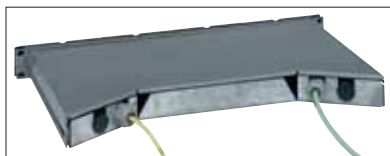
Pack	Cat.Nos	Spreaders
		For 900 µm of optical fibres Take 250 µm fibre diameters
1	0330 48	6 fibre spreader
1	0330 49	12 fibre spreader

Bold catalogue numbers are products normally available with Legrand (India) stockists.
Cat. nos. that are not bold - delivery within 4 - 8 weeks from the date of order.

Bold packing quantity is our mandatory packing. Orders to be placed by Legrand (India) stockists in multiples of the same.

Legrand cabling system LCS²

fibres optic 19" optic drawers



"Tail-coat" enclosure rear for easier cable entry



0335 10 fitted with fibre optic units



0335 13



0335 12



0335 16



0335 11 fitted with fibre optic unit 0335 17

Pack	Cat.Nos	19" optic drawer
1	0335 10	Modular optic drawer Slide-in and modular drawer Limit switch stop with 45° slope Maximum capacity: - 24 x ST and SC connectors ST - 48 x LC connectors Depth 220 mm, height 1 U Supplied with screws and wiring accessories Takes up to 4 fibre optic units (see below)

Pack	Cat.Nos	Fibre optic cassette for patch panel
1	0335 11	Ensures fibre coiling (from 2 to 12 fibres) Takes a fibre optic unit Cat.Nos 0335 12/13/16/17/18/19 Used for linking copper and fibre optic blocks on the same LCS ² patch panel

Pack	Cat.Nos	Blanking plate for 19" panel
10	0335 91	Black

Pack	Cat.Nos	Fibre optic units
1		Clip directly onto the optic drawer Cat.No 0335 10 or on the patch panels with fibre optic cassette Cat.No 0335 11
1	0335 13	Monomode fibre units (9/125 µm) LC unit for 6 monomode fibres
1	0335 12	SC unit for 6 monomode fibres
1	0335 16	Multimode fibre units (62.5 and 50/125 µm) ST unit for 6 multimode fibres
1	0335 17	SC unit for 6 multimode fibres
1	0335 18	LC unit for 6 multimode fibres
1	0335 19	High-density LC unit for 12 multimode fibres

Pack	Cat.Nos	Switch/fibre optic unit
1	0335 05	Clips directly onto the patch panels 6 x RJ 45 ports + 1 cascade LC type optic port at the front Power supply via transformer provided

Pack	Cat.Nos	Copper/fibre optic converter units
1	0335 06	For simply and fast copper to fibre conversion and vice versa Clip directly onto the patch panels Fitted with an SC type fibre optic connector 10/100 base T to 10/100 base FX type SC
1	0335 07	1000 base T to 1000 base SX type SC

Bold catalogue numbers are products normally available with Legrand (India) stockists.
Cat. nos. that are not bold - delivery within 4 - 8 weeks from the date of order.

Bold packing quantity is our mandatory packing. Orders to be placed by Legrand (India) stockists in multiples of the same.

Legrand cabling system LCS² fibre optic 19" high density optical drawer



0325 69

Pack	Cat.Nos	19" high density optical drawer
1	0325 69	Modular optical drawer Slide-in and modular drawer Maximum capacity: - 36 ST and SC connectors - 72 LC connectors Depth 220 mm, height 1 U Supplied with screws and wiring accessories Receives up to 3 fibre optic units below

Fibre optic units

Clip directly onto the optic drawer
Cat.No 0325 69

Monomode fibre units (9/125 µm)

1	0325 73	LC duplex unit for 12 monomode fibres - blue
1	0325 74	LC duplex unit for 24 monomode fibres - blue
1	0325 70	ST duplex unit for 12 monomode fibres - blue
1	0325 71	SC duplex unit for 12 monomode fibres - blue
1	0325 72	MPO unit type A for 6x12 monomode fibres - blue

Multimode fibre units (62.5 and 50/125 µm)

1	0325 78	LC duplex unit for 12 multimode fibres - beige
1	0325 79	LC duplex unit for 24 multimode fibres - beige
1	0325 75	ST duplex unit for 12 multimode fibres - beige
1	0325 76	SC duplex unit for 12 multimode fibres - beige
1	0325 77	MPO unit type A for 6x12 multimode fibres - beige

Accessory

1	0335 93	Blanking plate
---	---------	----------------

Accessories common to 2 optical drawers

1	0329 07	Cassette for pigtails 12 fibre capacity
8	0335 94	Bend limiting clip Fibre management bend limiting clip

Legrand cabling system LCS² fibre optic fibre sockets



0786 16



0786 17



0786 18

Pack	Cat.Nos	Fibre sockets
1	0786 16	Fitted with duplex feedthrough 2 inlets 2 outlets Used for connecting 2 fibres (fitted with their connector) Supplied with protective caps Fitted with transparent marker holder 2 modules Socket with fibre optic feedthrough 2 x ST Bayonet connection (STII compatible) ○ White
1	0786 17	Socket with fibre optic feedthrough 2 x SC Push-pull connection ○ White
1	0786 18	Socket with fibre optic feedthrough 2 x LC Push-pull connection ○ White

Legrand cabling system LCS² fibre optic zone distribution boxes



0335 40

0335 20 accessoire
fibre optique

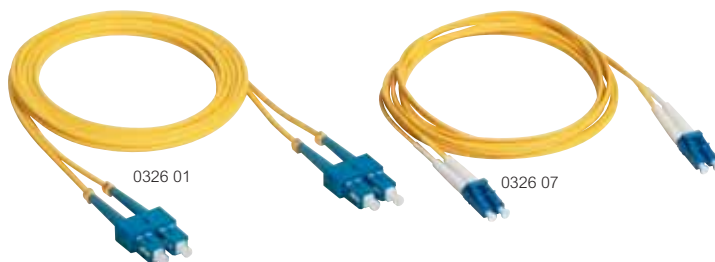
0786 16

Pack	Cat.Nos	Zone distribution boxes
1	0335 40	<p>For distribution of low current in a zone fitted with 1 to 12 RJ 45 sockets Centralise connections to guarantee flexibility and adaptability of the installation</p> <p>Installed on false ceiling or false floor</p> <p>Connect to the patch panel or the floor cabinet</p> <p>Conform to standards UTE C 15-900, NF C 15-100, NF C 20-730, EN 50-174.2, CEI 60950, ISO/IEC 11801 Ed. 2.0, EN 50173-2 and EIA/TIA 568</p> <p>Colour code EIA/TIA 568 A and B</p> <p>Cords and cables: ISO 11801 id.2.0, EN 50173-1, EIA/TIA 568</p> <p>Technical characteristics:</p> <ul style="list-style-type: none"> - polycarbonate PC hood - polypropylene PP base - RAL 7035 - holds connector units in place on the box: 100 N - Cables anchored on support using Colring cable ties <p>Self-assembly zone distribution box</p> <p>Used for fitting fibre optic accessory units</p>

1	0335 20	<p>Fibre optic accessory</p> <p>Used for fitting fibre optic units (see p. 74) and the fibre coil in the zone distribution box</p>
---	---------	---

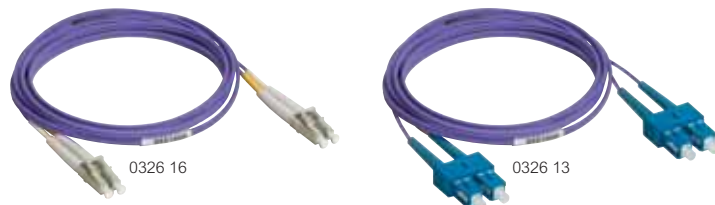
1	0786 16	<p>Socket with fibre optic feedthrough</p> <p>Fitted with duplex feedthrough 2 inlets / 2 outlets</p> <p>Used for connecting 2 fibres (fitted with their connector)</p> <p>Supplied with protective caps</p> <p>Fitted with transparent marker holder</p> <p>2 modules</p> <p>Socket with fibre optic feedthrough 2 x ST</p> <p>Bayonet connection (STII compatible)</p> <p> ○ White</p>
1	0786 17	<p>Socket with fibre optic feedthrough 2 x SC</p> <p>Push-pull connection</p> <p> ○ White</p>
1	0786 18	<p>Socket with fibre optic feedthrough 2 x LC</p> <p>Push-pull connection</p> <p> ○ White</p>

Legrand cabling system LCS² fibre optic Patch cords



0326 01

0326 07



0326 16

0326 13

Technical characteristics (p. 106)

Fitted with 2 connectors with ceramic ferrule at either end
Packed and tested singly (report supplied)
Zipcord LSZH sleeve

Pack	Cat.Nos	OS 1 (UPC) monomode optical cords
		<p>Max. optical losses: 0.3 dB</p> <p>For OS1 9/125 µm monomode installations, OS 1 type</p> <p>Yellow sheaths</p>
3	0326 00	SC/SC duplex cords Length: 1 m
3	0326 01	Length: 2 m
3	0326 02	Length: 3 m
3	0326 03	SC/LC duplex cords Length: 1 m
3	0326 04	Length: 2 m
3	0326 05	Length: 3 m
3	0326 06	LC/LC duplex cords Length: 1 m
3	0326 07	Length: 2 m
3	0326 08	Length: 3 m

		<p>OM 3 multimode optical cords (50/125 µm)</p> <p>Suitable for 10 Gb Ethernet network</p> <p>Max. optical losses: 0.3 dB</p> <p>For 50/125 µm multimode installations, OM 3 type</p> <p>Purple sheaths</p>
3	0326 09	SC/SC duplex cords Length: 1 m
3	0326 10	Length: 2 m
3	0326 11	Length: 3 m
3	0326 12	SC/LC duplex cords Length: 1 m
3	0326 13	Length: 2 m
3	0326 14	Length: 3 m
3	0326 15	LC/LC duplex cords Length: 1 m
3	0326 16	Length: 2 m
3	0326 17	Length: 3 m

Bold catalogue numbers are products normally available with Legrand (India) stockists.
Cat. nos. that are not bold - delivery within 4 - 8 weeks from the date of order.

Bold packing quantity is our mandatory packing. Orders to be placed by Legrand (India) stockists in multiples of the same.

Legrand cabling system LCS² fibre optic Patch cords



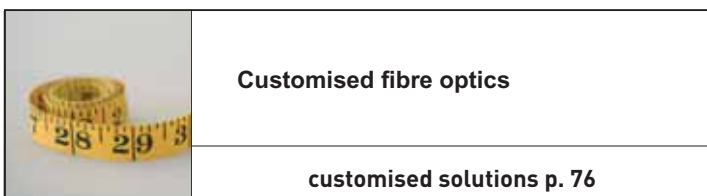
0330 70



0330 65

Pack	Cat.Nos	OM 2 multimode optical cords (50/125 µm)
		Max. optical losses: 0.3 dB For 50/125 µm multimode installations, OM 2 type Orange sheaths
3	0330 80	ST/ST duplex cords Length: 1 m
3	0330 81	Length: 2 m
3	0330 82	Length: 3 m
		SC/SC duplex cords
3	0330 69	Length: 1 m
3	0330 70	Length: 2 m
3	0330 71	Length: 3 m
		ST/SC duplex cords
3	0330 72	Length: 2 m
3	0330 73	Length: 3 m
		LC/LC duplex cord
3	0330 61	Length: 2 m
		SC/LC duplex cords
3	0330 75	Length: 1 m
3	0330 63	Length: 2 m
3	0330 76	Length: 3 m
		LC/ST duplex cord
3	0330 65	Length: 2 m

		OM 1 multimode optical cords (62.5/125 µm) Max. optical losses: 0.3 dB For 62.5/125 µm multimode installations, OM 1 type Orange sheaths
		SC/SC duplex patch cords
3	0331 51	Length: 1 m
3	0331 52	Length: 2 m
3	0331 53	Length: 3 m
		ST/SC duplex patch cords
3	0331 57	Length: 1 m
3	0331 58	Length: 2 m
		LC/SC duplex patch cords
3	0330 77	Length: 1 m
3	0330 62	Length: 2 m
3	0330 78	Length: 3 m



Customised fibre optics

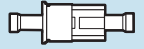
customised solutions p. 76

Legrand cabling system LCS² fibre optic

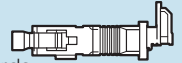
Fast crimping with kit Cat.No 0331 93

Types of connector

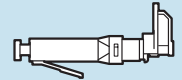
- ST connector: Helical shape
locked by "push and turn" bayonet type connector



- SC connector: Rectangular shape
"push-pull" latch type locking.
Suitable for a large number of active devices
Recommended in the generic standards ISO/IEC 11801 and EN 50173



- LC connector: Rectangular shape
tab locking
Half the size of a conventional connector



The 6 essential steps for fast crimping

Step 1: Strip the fibre



Step 2: Cleave the fibre



Step 3: Inspect the fibre



Step 4: Insert the fibre



Step 5: Align the fibre



Step 6: Crimp the connector



Technical characteristics

- The kit is used for attaching the connectors to 900 µm fibre
- Average loss of a connection: 0.3 dB
- Ideal for high-speed systems: 10 Gb Ethernet supplied with 50/125 µm connector
- Operating temperature: from 0°C to 65°C

Advantages:

- High quality finish
- No polishing: connectors pre-polished in factory
- No Epoxy type glue required
- Easy connection
- No complex tools or consumables required: the termination is made in less than 3 minutes and is very cost-effective
- Practical, lightweight kit
- Both multimode and singlemode fibres can be crimped (50/125 µm and 62.5/125 µm)

Bold catalogue numbers are products normally available with Legrand (India) stockists.
Cat. nos. that are not bold - delivery within 4 - 8 weeks from the date of order.

Bold packing quantity is our mandatory packing. Orders to be placed by Legrand (India) stockists in multiples of the same.

Legrand cabling system LCS²

Arteor™

audio and video sockets



Pack	Cat.Nos		Audio and video sockets
	White	Magnesium	
1/20	5722 72	5727 72	2 x female RCA For the stereo audio connection of any DVD drive, camera, video recorder, etc. type peripheral Recommended cable: 1 shielded audio pair Square version 1 module 22.5 x 45 mm
1/20	5732 72	5737 72	Round version 2 modules 45 x 45 mm
			3 x female RCA For the composite video and stereo audio connection of a DVD drive, camera, video recorder, video conference equipment etc. Recommended cable: 1 shielded audio pair + 1 x 3 mm mini-coaxial
1/20	5722 73	5727 73	Square version 1 module 22.5 x 45 mm
1/20	5732 73	5737 73	Round version 2 modules 45 x 45 mm
			Female 3.5 mm jack - square version For stereo audio connection from a portable source Recommended cable: 1 x 0.22 mm ² shielded audio pair
1/20	5722 74	5727 74	Connection on screw terminals 1 module 22.5 x 45 mm
1/20	5722 78	5727 78	Solder connection 1 module 22.5 x 45 mm
			YUV - square version For analog high definition connection of a DVD, PC monitor, plasma screen, video projector, graphic paintbox, etc. Recommended cable: 3 x 3 mm mini-coaxial (max. cable length 25 m) or 3 x RG59 coaxial (max. cable length 50 m)
1/20	5722 71	5727 71	1 module 22.5 x 45 mm

Pack	Cat.Nos		Audio and video sockets (continued)
	White	Magnesium	
1/20	5722 81	5727 81	HDMI For digital high definition audio and video connection of a PC monitor, plasma screen, video projector, graphic paintbox, etc. Recommended cable Cat.No 0327 80 2 modules 45 x 45 mm Square version
1/20	5722 85	5727 85	Round version
			S-video sockets (4-pin mini-DIN) 1-gang Provides the YC video link for any peripheral device such as a DVD drive, camera, video recorder, videoconferencing, etc.
1/20	5744 01	5744 51	Square version 1 module 22.5 x 45 mm
1/20	5745 01	5745 51	Round version 2 modules 45 x 45 mm
			Female BNC 75 For the composite video connection of any DVD drive, camera, video recorder, etc. Recommended cable: RG59 coaxial Max. cable length: 10 m 1 module 22.5 x 45 mm
1/20	5722 76	5727 76	Female BNC 75 For the composite video connection of any DVD drive, camera, video recorder, etc. Recommended cable: RG59 coaxial Max. cable length: 10 m 1 module 22.5 x 45 mm
			Female HD 15 For VGA, XGA or VESA connection of a PC monitor, plasma screen, video projector, graphic paintbox, etc. Recommended cable Cat.No 0327 81 Max. cable length 25 m (beyond this a VGA amplifier is recommended)
1/20	5722 82	5727 82	Connection on screw terminals 2 modules 45 x 45 mm
1/20	5722 79	5727 79	Solder connection 1 module 22.5 x 45 mm

Pack	Cat.Nos		Female HD 15 + jack 3.5 mm
	White	Magnesium	
1/20	5722 88	5727 88	2 modules 45 x 45 mm Square version
1/20	5722 89	5727 89	Round version

Bold catalogue numbers are products normally available with Legrand (India) stockists.
Cat. nos. that are not bold - delivery within 4 - 8 weeks from the date of order.

Bold packing quantity is our mandatory packing. Orders to be placed by Legrand (India) stockists in multiples of the same.

Legrand cabling system LCS²

Arteor™

HD 15 amplifier + Jack kit, equipment cords



Pack	Cat.Nos	HD 15 amplifier + Jack kit						
1	<table border="1"> <tr> <td></td> <td></td> </tr> <tr> <td>White</td> <td>Magnesium</td> </tr> <tr> <td>5723 70</td> <td>5728 70</td> </tr> </table>			White	Magnesium	5723 70	5728 70	<p>Used to connect audio/video terminals at a distance of more than 20 m The video link is via an HD 15 connector (resolution up to UXGA), and the audio link via a 3.5 mm jack Comprises:</p> <ul style="list-style-type: none"> - One 4-module Arteor transmitter supplied with cover plate equipped with an HD 15 connector and a 3.5 mm jack - One 4-module Arteor receiver equipped with an HD 15 connector and a 3.5 mm jack - One 4-module Arteor power supply to be connected on the mains then linked to the receiver <p>The transmitter and receiver are supplied with an RJ 45 LCS jack for tool-free connection The link between the transmitter and receiver is via a network cable (Cat.No 0327 56) (consult us)</p>
White	Magnesium							
5723 70	5728 70							

Pack	Cat.Nos	Equipment cords
1	0517 20	<p>HDMI cord Length 10 m For connecting an HDMI socket to the audio/video terminal (plasma screen, DVD drive, Home Cinema, games console, etc) For use at more than 10 m, use the HDMI Booster Cat.No 0779 30</p>
1	0517 22	<p>HD 15 cord + 3.5 mm Jack cord Length 2 m For connecting an HD 15 video socket and a 3.5 mm audio jack to a terminal (PC, video projector)</p>
1	0779 30	<p>HDMI booster Used to extend an HDMI connection Consists of 2 female connectors and used as an addition to the HDMI cord (for example cord Cat.No 0517 20) Does not need an external power supply</p>

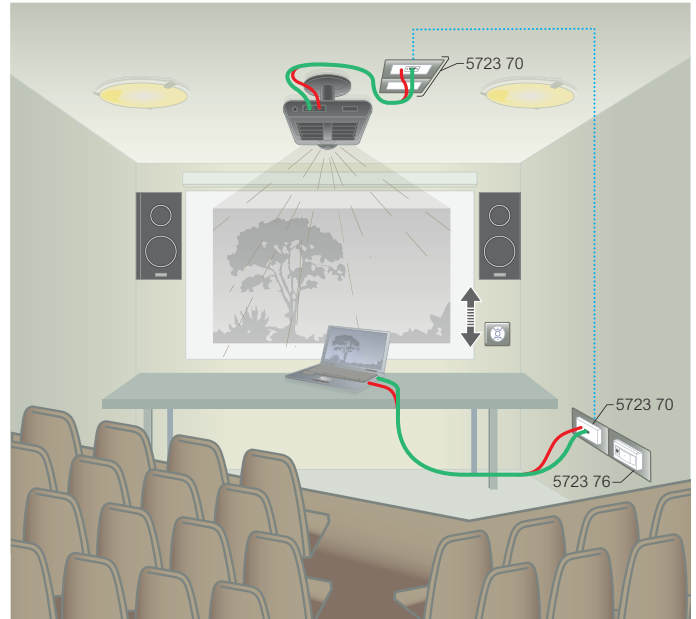
Pack	Cat.Nos	Cables
1	0327 80	<p>For connecting 2 sockets HDMI cable Length 20 m For connecting HDMI sockets at a distance of up to 10 m</p>
1	0327 81	<p>VGA cable Length 20 m For connecting full pin HD 15 sockets at a distance of up to 20 m</p>

Legrand cabling system LCS²

Arteor™

audio and video sockets

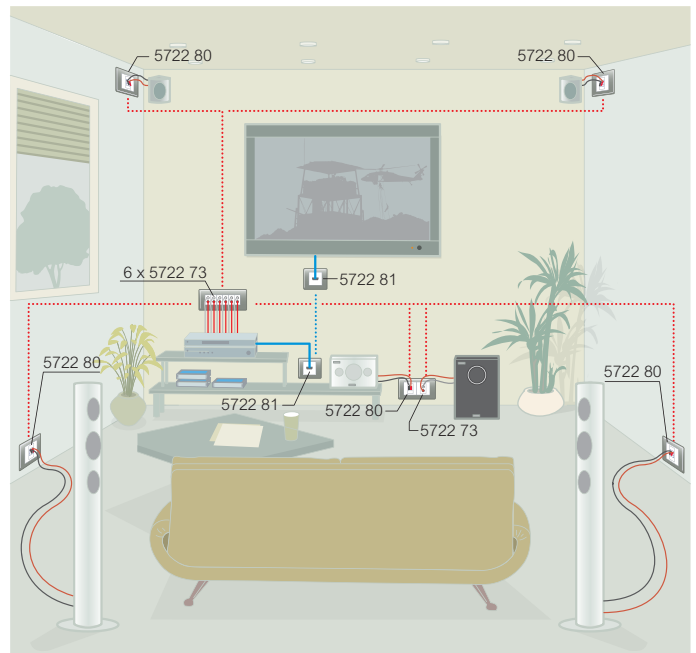
Installation of audio and video sockets in a meeting room



Depending on the size and configuration of your meeting room, it is recommended to link the system 5723 70 to an audio amplification device

..... Cat. 6 cable (Cat.No 0327 56)
 ——— HD 15 + 3.5 mm Jack cord (Cat.No 0517 22)

Installation of audio and video sockets for Home Cinema



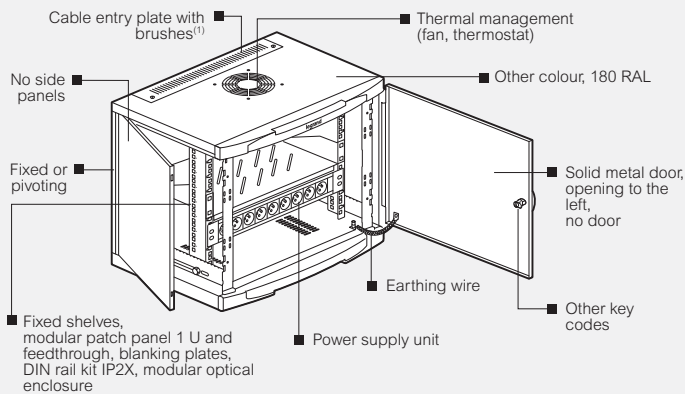
..... HDMI cable (Cat.No 0327 80)
 ——— HDMI cord
 Audio cable

customised 19" LCS² cabinets and enclosures

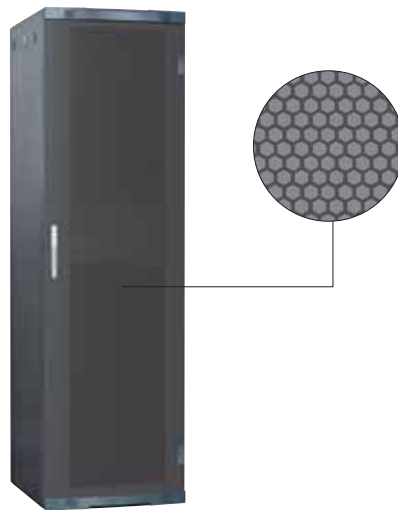


Legrand cabling system LCS² 19" LCS² server enclosures

19" LCS² CABINETS



(1) Pivoting cabinets



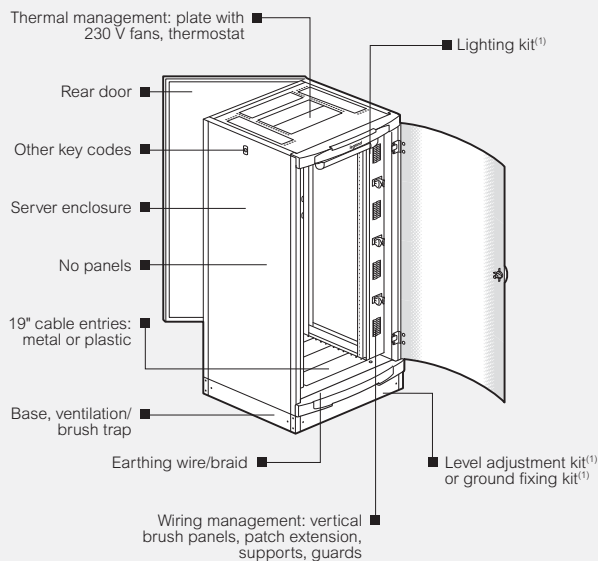
0463 85

19" LCS² ENCLOSURES

30 SIZES

Capacity	24 U	29 U	33 U	42 U	47 U
Width	600 or 800 mm				
Depth	600, 800 or 1,000 mm				

PANEL DEFINITION



(1) Supplied ready for assembly

Option of solid or micro perforated metal doors, screen print glass doors, double doors or no door

180 RAL colours available

Contact us for advice on assembling 19" equipment

Technical characteristics (p. 97)

IP 20 - IK 08

Enclosures with front and rear metal micro perforated door, handles with no deadbolt
 Front door can be fitted with a DIN European cylinder (Cat.No 0307 10) with option of fitting a handle Cat.No 0347 71/72
 Rear door can be fitted with a key barrel Cat.No 0368 22/23/24/25/26/27
 Removable side panels
 Levelling feet adjustable from the inside
 Top cable inlets in 19" cut-out format, capable of taking 19" plates with brushes, fans, etc.
 Open bottom cable inlet
 Supplied with 4 x 19" uprights with marking of the U and depth adjustment
 Enclosures can be dismantled completely where access is difficult
 Enclosures can be linked with kit Cat.No 0463 39
 Supplied with earthing kit
 Charcoal grey RAL 7016

Pack	Cat.Nos	Server enclosures					Permissible load (kg)
1	0463 85	Capacity	Height (mm)	Width (mm)	Depth (mm)	630	
1	0463 86	42 U	2026	600	1000		
1	0463 86	42 U	2026	800	1000	630	

Accessories

Set of 4 caster wheels
 Set of 4 caster wheels for server cabinet
 Load on the 4 wheels: 500 kg

Shelves
 Screw-fixing on 4 x 19" uprights
 For enclosure depth 1000 mm
 Fixed shelf depth 850 mm, 100 kg
 Telescopic shelf depth 850 mm, 100 kg

Cable guide supports
 Fast screw-free assembly of cable guides (p. 87)
 For width 600/800 mm
 Fitted between 2 supports Cat.No 0464 79
 For width 1000 mm
 Pre-cut every 100 mm for height 500 to 200 mm

Earth braid		Capacity (mm ²)	Fixing spacing (mm)	Ø of holes (mm)
20	0347 95	6	200	8,5

Bases, cable inlet plates, thermal management, other accessories (p. 86)

19" equipment, cable management (p. 89)

Legrand cabling system LCS²

19" LCS² enclosures

enclosures and cabling units



0463 18



0463 34 + 1 enclosure 0463 18
+ 1 extension enclosure 0463 30

Legrand cabling system LCS²

Linkeo 19" LCS² enclosures

enclosures and cabling units



0463 58 + additional 19" uprights Cat.No 0463 73



Technical characteristics (p. 97)

IP 20 - IK 08 Enclosures with reversible curved front door made of screen-printed safety glass. Side and rear removable panels Panels with automatic equipotential link. Lock with 2433 A key for locking of the 4 sides. Levelling feet adjustable from the inside. Top and bottom cable inlets, 19" cut-out format, capable of taking 19" plates with brushes, fans, etc.

Supplied with 4 x 19" uprights with marking of the U and depth adjustment. Option of cable and patch cord management in cabling unit Cat.Nos 0463 34/35. Enclosures can be dismantled completely where access is difficult. Enclosures can be linked with kit Cat.Nos 0463 37/38/39 Charcoal grey RAL 7016

Pack	Cat.Nos	19" LCS ² enclosures					Permissible load (kg)
		Capacity	Height (mm)	Width (mm)	Depth (mm)		
1	0463 00	24 U	1226	600	600	240	
1	0463 06	29 U	1448	600	600	290	
1	0463 12	33 U	1626	600	600	330	
1	0463 18	42 U	2026	600	600	420	
1	0463 19	42 U	2026	600	800	420	
1	0463 21	42 U	2026	800	600	420	
1	0463 22	42 U	2026	800	800	420	
1	0463 23	42 U	2026	800	1000	420	
1	0463 28	47 U	2248	800	800	470	
1	0463 29	47 U	2248	800	1000	470	

		19" LCS ² extension enclosures					Permissible load (kg)
		No side panels Supplied with joining kit					
Pack	Cat.Nos	Capacity	Height (mm)	Width (mm)	Depth (mm)		
1	0463 30	42 U	2026	600	600	420	
1	0463 33	42 U	2026	800	800	420	

		LCS ² cabling units				
		Can be attached to LCS ² 42 U enclosures Easier cable and patch cord management Width 250 mm Charcoal grey RAL 7016 For enclosure depth (mm):				
Pack	Cat.Nos	600	800			
1	0463 34					
1	0463 35					

		LCS ² joining kits				
		For linking 2 LCS ² enclosures For enclosure depth (mm):				
Pack	Cat.Nos	600	800	1000		
1	0463 37					
1	0463 38					
1	0463 39					



Technical characteristics (p. 97)

IP 20 - IK 08 Enclosures with reversible front door made of screen-printed safety glass. Removable side and rear panels Panels with automatic equipotential link 2433 A key for locking of the 4 sides

Levelling feet adjustable from the inside
2 top and bottom cable inlets, 19" cut-out format, capable of taking 19" plates with brushes, fans, etc.

Supplied with 2 x 19" uprights with marking of the U and depth adjustment. Option of cable and patch cord management in cabling unit Cat.Nos 0463 75/76

Enclosures can be dismantled completely where access is difficult Enclosures can be linked with kit Cat.Nos 0463 78/79 Grey RAL 7035

Pack	Cat.Nos	Linkeo 19" LCS ² enclosures					Permissible load (kg)
		Capacity	Height (mm)	Width (mm)	Depth (mm)		
1	0463 52	33 U	1626	600	600	330	
1	0463 58	42 U	2026	600	600	420	
1	0463 59	42 U	2026	600	800	420	
1	0463 60	42 U	2026	800	600	420	
1	0463 61	42 U	2026	800	800	420	

		Linkeo 19" LCS ² extension enclosures					Permissible load (kg)
		No side panels Supplied with joining kit					
Pack	Cat.Nos	Capacity	Height (mm)	Width (mm)	Depth (mm)		
1	0463 81	42 U	2026	600	600	420	
1	0463 84	42 U	2026	800	800	420	

		Linkeo LCS ² cabling units				
		Can be attached to Linkeo LCS ² 42 U enclosures Easier cable and patch cord management Width 250 mm Grey RAL 7035 For enclosure depth (mm):				
Pack	Cat.Nos	600	800			
1	0463 75					
1	0463 76					

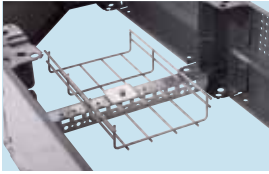
		Linkeo LCS ² joining kits				
		For linking 2 Linkeo LCS ² enclosures For enclosure depth (mm):				
Pack	Cat.Nos	600	800			
1	0463 78					
1	0463 79					

		Linkeo 19" LCS ² uprights				
		Set of 2 additional 19" uprights				
Pack	Cat.Nos	33 U	42 U			
1	0463 72					
1	0463 73					

Bold catalogue numbers are products normally available with Legrand (India) stockists.
Cat. nos. that are not bold - delivery within 4 - 8 weeks from the date of order.

Bold packing quantity is our mandatory packing. Orders to be placed by Legrand (India) stockists in multiples of the same.

Legrand cabling system LCS² enclosure bases



Stay plate 0476 93 with cable guide



0464 61



0464 63



Kit 0464 52 consisting of 4 corner blocks and solid traps at front/rear



0464 66

Technical characteristics (p. 98)

Pack	Cat.Nos	Enclosure bases
		Opening on 4 sides Charcoal grey RAL 7016
		Plinth kits Consisting of 4 corner blocks and solid traps at front / rear. Side traps to be ordered separately For enclosure width (mm):
1	Height 100 0464 50 Height 200 0464 52	600
1	0464 51 0464 53	800
		Sets of 2 solid side traps Traps height 100 mm Order 2 sets for a base height of 200 mm (Cat.Nos 0464 52/53) For enclosure depth (mm):
1	0464 54	600
1	0464 56	800
1	0464 58	1000
		Ventilated traps 1 trap height 100 mm For enclosure width/depth (mm):
1	0464 60	600
1	0464 61	800
		Traps with brush 1 trap height 100 mm For enclosure width/depth (mm):
1	0464 62	600
1	0464 63	800
		Base for cabling units
1	0464 64	Assembled at front or rear between the bases of associated enclosures Trap height 100 mm. Double the number of traps for a height of 200 mm Charcoal grey RAL 7016
		Stay plates
		Fixed between 2 corner blocks of enclosure base For clamping cables between associated enclosures and fixing a cable guide For enclosure depth (mm):
1	0476 93	600
1	0476 94	800
1	0476 95	1000
		Linking interface
1	0464 66	Protection allowing enclosure base and cable duct to be linked Supplied with weatherproof brush Reversible cover with cut-outs ensuring a high-quality finish Height 200 mm Charcoal grey RAL 7016 For enclosure depth 600 mm

Legrand cabling system LCS² cable inlets and thermal management for enclosures



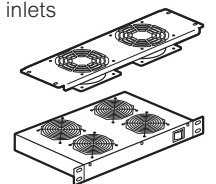
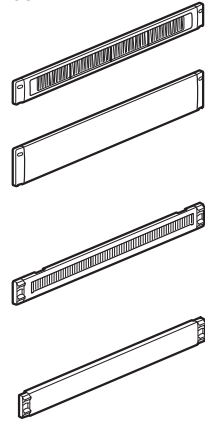
0465 29



0465 32

Technical characteristics (p. 98)

Pack	Cat.Nos	19" cable entry inlets
		19" cable inlet plates for enclosures Black RAL 9005
		Plastic with brushes, snap on
1	0465 28	1 U
1	0465 29	2 U
		Solid plastic, direct clipping
1	0465 32	1 U
1	0465 33	2 U
		Metal with brushes Supplied with quick-fixing
1	0465 30	1 U
1	0465 31	2 U
		Solid metal Supplied with quick-fixing
1	0465 38	1 U
1	0465 39	2 U
1	0465 40	3 U
		Thermal management
		19" 3 U plates with fans Fixed to the enclosure 19" cable inlets or on 19" uprights
1	0464 87	2 x 230 V~ fans
1	0464 88	3 x 230 V~ fans
		1 U ventilation drawers For circulation of internal air Fit onto 2 x 19" uprights On/off switch
1	0464 89	19" Ventilation shelf with 2 fans - depth 150 mm
1	0464 90	19" Ventilation shelf with 4 fans - depth 300 mm
		Thermostat
1	0348 48	Adjustable from 5 to 60 °C, 12 V to 250 V~ Back contact (10 A) and front contact (5 A) Fixed by magnet



Bold catalogue numbers are products normally available with Legrand (India) stockists.
Cat. nos. that are not bold - delivery within 4 - 8 weeks from the date of order.

Bold packing quantity is our mandatory packing. Orders to be placed by Legrand (India) stockists in multiples of the same.

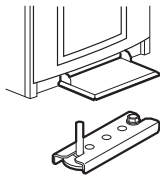
Legrand cabling system LCS² accessories and document holders for enclosures



0365 81

0365 82

Pack	Cat.Nos	Accessories
1	0464 83	Set of 4 casters for LCS ² enclosure (excludes server enclosure) Maximum permissible load on the 4 casters: 380 kg
1	0464 85	Lighting kit with switch Supplied with 230 V~ - 8 W fluorescent tube
1	0464 84	Level adjustment kit Fixing 19" - 1 U
1	0464 86	Stabilises the enclosure on removal of heavy products installed on runners Floor fixing kit Enables a enclosure to be fixed permanently into the ground



Self-adhesive document holders for plans

Pack	Cat.Nos	Ext. dimensions		Int. dimensions		
		Height (mm)	Width (mm)	Height (mm)	Width (mm)	Depth (mm)
20	0365 80	235	340	200	310	18
20	0365 81	165	260	130	230	18
Closed - RAL 9002						
1	0365 82	Stiff, plastic, IP 50 Int. dimensions: 324 x 120 x 18 mm				
Transparent						
10	0097 99	Soft plastic, A4 - 305 x 220 mm				

Legrand cabling system LCS² Altis™ enclosures



0473 62 + 0472 72 + 0482 20

0473 63 équipée

Pack	Cat.Nos	19" 42 U Altis enclosures																																								
		Protection against dust, water, knocks in demanding environments - IP55 - IK10 Suitable for exceptionally large loads (up to 720 kg) Reversible door 4-point locking with double bar (barrels: please refer to Legrand catalogue 2010) Removable rear panel Cable inlets at bottom 19" uprights and side panels to be ordered separately Compatible with 19" LCS ² equipment Cat.Nos 0331 35 and 0464 80 Grey RAL 7035																																								
		Glass door enclosures Coloured toughened glass																																								
		<table border="1"> <thead> <tr> <th rowspan="2">Height (mm)</th> <th rowspan="2">Width (mm)</th> <th rowspan="2">Depth (mm)</th> <th colspan="2">Window dim.</th> <th rowspan="2">Weight (kg)</th> </tr> <tr> <th>Height (mm)</th> <th>Width (mm)</th> </tr> </thead> <tbody> <tr> <td>1</td> <td>0473 62</td> <td>2000</td> <td>600</td> <td>600</td> <td>1775</td> <td>375</td> <td>91.7</td> </tr> <tr> <td>1</td> <td>0473 63</td> <td>2000</td> <td>800</td> <td>600</td> <td>1775</td> <td>575</td> <td>110.4</td> </tr> <tr> <td>1</td> <td>0473 91</td> <td>2000</td> <td>600</td> <td>800</td> <td>1775</td> <td>375</td> <td>95.2</td> </tr> <tr> <td>1</td> <td>0473 92</td> <td>2000</td> <td>800</td> <td>800</td> <td>1775</td> <td>575</td> <td>114.6</td> </tr> </tbody> </table>	Height (mm)	Width (mm)	Depth (mm)	Window dim.		Weight (kg)	Height (mm)	Width (mm)	1	0473 62	2000	600	600	1775	375	91.7	1	0473 63	2000	800	600	1775	575	110.4	1	0473 91	2000	600	800	1775	375	95.2	1	0473 92	2000	800	800	1775	575	114.6
Height (mm)	Width (mm)	Depth (mm)				Window dim.			Weight (kg)																																	
			Height (mm)	Width (mm)																																						
1	0473 62	2000	600	600	1775	375	91.7																																			
1	0473 63	2000	800	600	1775	575	110.4																																			
1	0473 91	2000	600	800	1775	375	95.2																																			
1	0473 92	2000	800	800	1775	575	114.6																																			
		Set of 2 side panels For enclosures																																								
		<table border="1"> <thead> <tr> <th>Height (mm)</th> <th>Depth (mm)</th> </tr> </thead> <tbody> <tr> <td>1</td> <td>0472 72</td> <td>2000</td> <td>600</td> </tr> <tr> <td>1</td> <td>0472 75</td> <td>2000</td> <td>800</td> </tr> </tbody> </table>	Height (mm)	Depth (mm)	1	0472 72	2000	600	1	0472 75	2000	800																														
Height (mm)	Depth (mm)																																									
1	0472 72	2000	600																																							
1	0472 75	2000	800																																							
		19" uprights																																								
1	0482 20	Set of 2 42 U uprights (perforations 9.4 x 9.5 mm) Supplied with mounting lugs and screws Mounting in enclosures possible width 600 or 800 mm																																								
		Interior assembly kit - IP 55 for a 1000 kg/m³ load																																								
1	0476 83	Set consisting of - 4 brackets - 2 joining feet - 1 gasket																																								
		M 14 lifting rings																																								
1	0476 96	Set of 4 rings For a load of 1000 kg/m ³																																								

Ventilation drawers (p. 86)

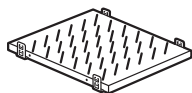
Legrand cabling system LCS²

19" LCS² equipment

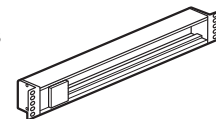
for enclosures and Altis



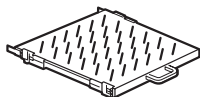
Pack	Cat.Nos	Fixed shelves
		Black RAL 9005
		Projecting mounting on 2 x 19" uprights
		Fast screw-free assembly
		Max. load 15 kg
		Height 2 U
1	0465 00	Depth 115 mm
1	0465 01	Depth 200 mm
1	0465 02	Depth 360 mm
		Quick fixing on 4 x 19" uprights
		Assembly exclusively on LCS ² enclosures (except server enclosures)
		Max. load 50 kg
1	0465 05	Depth 450 mm
1	0465 06	For enclosure depth 600 mm
1	0465 07	Depth 850 mm
		For enclosure depth 1000 mm
		Screw fixed on 4 x 19" uprights
		All purpose assembly for all enclosures
		Max. load 100 kg
1	0465 17	Depth 850 mm
		For enclosure depth 1000 mm



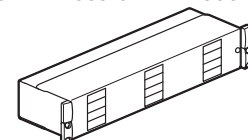
Pack	Cat.Nos	230 V~ power supply units
		Reversible front, rear and side mounting on 19" uprights
		Connection by 2.5 mm ² terminal block
		Provide a 2 U space
		Supplied with screws
1	6339 10	5 x 2P+⊕ sockets + switch
1	6339 11	5 x 2P+⊕ sockets + MBC
		Replacement module for surge suppressor
1	0775 41	For replacing the module after use
		Modular unit
1	0332 79	Takes 16 Mosaic modules



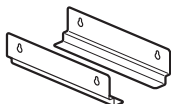
Pack	Cat.Nos	Telescopic shelves
		Black RAL 9005
		Quick fixing on 4 x 19" uprights
		Assembly exclusively on LCS ² screw-free enclosures (except server enclosures)
		Max. load 50 kg
1	0465 08	Depth 450 mm
1	0465 09	For enclosure depth 600 mm
1	0465 10	Depth 650 mm
		For enclosure depth 800 mm
		Depth 650 mm
		For enclosure depth 1000 mm
		Screw fixed on 4 x 19" uprights
		All purpose assembly for all enclosures
		Max. load 100 kg
1	0465 18	Depth 850 mm
		For enclosure depth 1000 mm



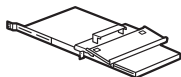
Pack	Cat.Nos	DIN rail kit IP 2X
1	0465 45	For assembling Lexic modular appliances
		Attaches directly onto 19" uprights
		Encourages consideration of EMC constraints
		Capable of taking up to 7 x Mosaic 2P+E sockets at the rear
		Composed of:
		- metal box
		- 3 x DIN profile rails
		4 modules
		- terminal block for protection conductors
		- a 2 U faceplate
		- 3 blanking plates
		- 9 cable entry glands
		Height 2 U
		Black RAL 9005




Pack	Cat.Nos	Fixed runners
		Set of 2 fixed runners
		Fit onto 4 x 19" uprights
		Max. load: 50 kg
1	0465 11	For enclosure depth 600 mm
1	0465 12	For enclosure depth 800 mm
1	0465 13	For enclosure depth 1000 mm



Pack	Cat.Nos	Keypad support shelf
1	0465 19	Screw fixed on 4 x 19" uprights
		For enclosure depth ≥ 800 mm
		Max. load 50 kg
		Accommodates:
		- a computer screen
		- un a keypad on the retractable support
		- a mouse on a sliding shelf with integrated mat
		Area for mouse or CD. Black RAL 9005





10" LCS² cabinets

see p. 90

Bold catalogue numbers are products normally available with Legrand (India) stockists.
Cat. nos. that are not bold - delivery within 4 - 8 weeks from the date of order.

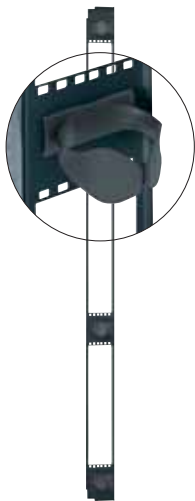
Bold packing quantity is our mandatory packing. Orders to be placed by Legrand (India) stockists in multiples of the same.

Legrand cabling system LCS²

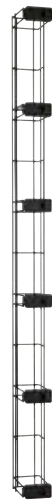
LCS² cable management



0464 80



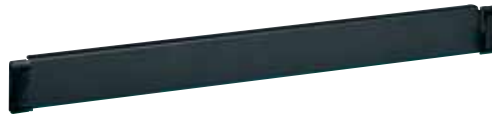
0464 81



0331 35

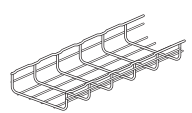
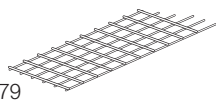


0465 32

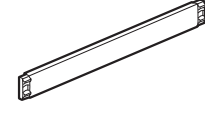
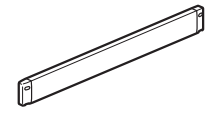
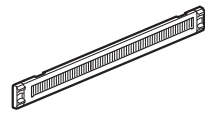
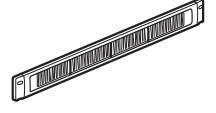
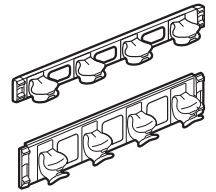


0465 38

Pack	Cat.Nos	Enclosure cable and cord management
1	0464 72	Set of 3 cable management supports Fixing on structure Fast screw-free assembly of cable guides For enclosure width/depth 600 mm Fixing centre: 508 mm
1	0464 73	For enclosure width/depth 800 mm Fixing centre: 708 mm
1	0464 74	For enclosure depth 1000 mm Fixing centre: 908 mm
		Flat cable guides Fast screw-free assembly on brackets of wiring management. Width 250 mm
1	0464 76	For enclosure 33 U
1	0464 77	For 42 U enclosures
		U Cable guides For cable ducting Join with linking crosspieces Cat.Nos 0476 93/94/95 in a base of linked enclosures and supports Cat.Nos 0464 78/79 to server enclosures
1	0464 69	3000 x 200 x 54 mm
1	0464 70	3000 x 400 x 54 mm
		Cable management grille For 42 U enclosures, width 800 mm Fix onto 19" uprights
1	0331 35 ⁽¹⁾	Guard with articulated bolts Dimensions : 1560 x 100 x 150 mm
		Vertical feedthrough For 42 U enclosures, width 800 mm Fix onto 19" uprights
1	0464 80 ⁽¹⁾	Set of 2 vertical panels with brush through-wiring Supplied with 10 cable guide connecting rings Cat.No 0465 42, 3 cable ties Cat.No 0331 94, 3 cable ties Cat.No 0331 95 and 3 cable ties Cat.No 0331 96 Black RAL 9005



Pack	Cat.Nos	Enclosure cable and cord management (continued)
1	0464 81	Patch extension For 42 U enclosures, width 800 mm Fix onto 19" uprights Set of 2 uprights allowing 12 U enclosure capacity to be increased for vertical assembly of 19" equipment (feedthrough panels, DIN rail kit, power supply units, etc.) Delivered with 8 cable guide connecting rings Cat.No 0465 42 Black RAL 9005
		19" feedthrough panels For organisation and circulation of patch cords Black RAL 9005
		Metal, 2 axes Horizontal and through run. Fitted with radiated plastic connecting rings for optimum protection of cords (respecting the curvature radius) Supplied with quick-fixing
1	0465 22	1 U
1	0465 23	2 U
		Plastic with brushes, snap on
1	0465 28	1 U
1	0465 29	2 U
		Metal with brushes Supplied with quick-fixing
1	0465 30	1 U
1	0465 31	2 U
		19" blanking plates Black RAL 9005
1	0465 32	1 U
1	0465 33	2 U
		Solid plastic, direct clipping
1	0465 38	1 U
1	0465 39	2 U
1	0465 40	3 U



(1) Can also be installed in 19" Altis width 800 mm

Customised 19" LCS² enclosures

Please consult Legrand Office

Pack	Cat.Nos	Cable guide connecting rings
4	0465 41	Snap on front structural uprights of fixed cabinets 9 U to 21 U (Cat.No 0465 41 only) and central upright of cabinets depth 580 mm
4	0465 42	1 U, plastic. Useable section 1890 mm ² 2 U, plastic. Useable section 4,070 mm ²
		Fixing screws Set of 50 cage-nuts, 50 plastic washers and 50 x M6 screws With 8.5 mm cage nuts With 9.5 mm cage nuts
1	0364 53	With 8.5 mm cage nuts
1	0364 54	With 9.5 mm cage nuts



Legrand cabling system LCS²

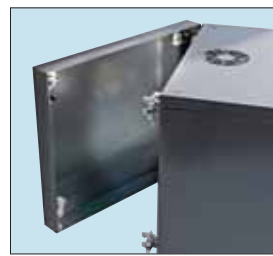
19" LCS² cabinets and accessories



0462 01



0462 11



Pivoting cabinet 0462 11



0465 01

Technical characteristics (p. 100)

IP 20 - IK 08

With reversible rounded print screen glass safety door

Pivoting side panels, tool-free removal from inside

Lock closure with key 2433 A

Supplied with 2 x 19" uprights with depth adjusting aid

Supplied with earthing kit

High and low grilles for natural ventilation, capable of taking a fan in the high part

Charcoal grey RAL 7016

Pack	Cat.Nos	Wall-mounting 19" LCS² cabinets			
		Easier cable management: ability to fix cable guide connecting rings Cat.Nos 0465 41/42 (p. 89) and cable ties (see Legrand catalogue) DLP format cable entries at the top and bottom, bendable, with ability to truss cables using cable ties Rear pre-cut cable entries			
		Cabinet depth 400 mm			
		Capacity	Width (mm)	Height (mm)	Permissible load (kg)
1	0462 00	6 U	600	350	18
1	0462 01	9 U	600	500	27
1	0462 02	12 U	600	600	36
1	0462 03	16 U	600	800	48
		Cabinet depth 580 mm			
1	0462 06	9 U	600	500	27
1	0462 07	12 U	600	600	36
1	0462 08	16 U	600	800	48
1	0462 09	21 U	600	1000	63

Pack	Cat.Nos	Pivoting 19" LCS² cabinets			
		Cabinets composed of: - base (wall fixing) - pivoting object allowing free access to the rear of the cabinet to facilitate installation and maintenance Reversible pivoting direction Full cable entry plate at top and bottom, a brush plate can be fitted Cat.No 0462 55			
		Cabinet depth 600 mm			
		Capacity	Width (mm)	Height (mm)	Permissible load (kg)
1	0462 11	9 U	600	500	27
1	0462 12	12 U	600	600	36
1	0462 13	16 U	600	800	48
1	0462 14	21 U	600	1000	63

Pack	Cat.Nos	Fixed shelves	
		Fast non-screw assembly Max. load 15 kg Black RAL 9005	
		Projecting mounting on 2 x 19" uprights	
1	0465 00	Depth 115 mm For cabinets depth 400, 580 and 600 mm	
1	0465 01	Depth 200 mm For cabinets depth 400, 580 and 600 mm	
1	0465 02	Depth 360 mm For cabinets depth 580 and 600 mm	
		Thermal management	
		Fan	
		2.5 m power supply cable	
1	0462 60	230 V~ fan	
		Thermostat	
1	0348 48	Adjustable from 5 to 60 °C, 12 V to 250 V~ Back contact (10A) and front contact (5 A) Fixed by magnet	

1	0462 55	Cable entry Cable entry plate with brush For pivoting cabinets
---	---------	---

1	0462 64	Accessories Set of 4 casters for assembly on pivoting cabinets Total load permissible on the 4 casters: 120 kg
---	---------	---

19" LCS² power supply extensions (see p. 88)



Bold catalogue numbers are products normally available with Legrand (India) stockists.
Cat. nos. that are not bold - delivery within 4 - 8 weeks from the date of order.

Bold packing quantity is our mandatory packing. Orders to be placed by Legrand (India) stockists in multiples of the same.

Legrand cabling system LCS² Linkeo 19" LCS² cabinets



0462 42

Compatible with
19" LCS² cabinet
equipment



0462 70

IP 20 - IK 08
Wall-mounting cabinets with reversible flat glass safety door with integrated lock
Supplied with 2 x 19" uprights with adjustable depth
Cable entry at top adjustable with foam seal
Rear and bottom cable entries equipped with blanking plates
High grilles for natural ventilation capable of taking the fan kit
Cat.No 0462 70
Supplied with earthing kit
Cabinets compatible with 19" LCS² cabinet equipment (except cable guide connecting rings)
Grey RAL 7035

Linkeo 19" LCS² wall-mounting cabinets

Pack	Cat.Nos	Capacity	Height (mm)	Width (mm)	Depth (mm)	Net weight (kg)	Permissible load (kg)
1	0462 30	6 U	367	600	400	18	18
1	0462 31	9 U	500	600	400	20	27
1	0462 42	12 U	625	600	600	30	36
1	0462 43	16 U	810	600	600	36	48

Linkeo LCS² fan kit

1	0462 70	Kit contains: - 2 fans - 1 thermostat - ON/OFF switch Supplied with 2.3 m cable Power supply 230 V~ - 50/60 Hz
---	---------	---

Legrand cabling system LCS² 10" LCS² cabinet for small business



0462 20



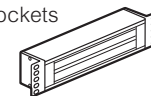
0335 92



0462 23

Technical characteristics (p. 100)

Pack	Cat.Nos	10" LCS ² cabinet			
		300 mm depth cabinet			
		Compact cabinet suitable for small business applications up to 36 RJ 45 sockets IP 20 – IK 08 Equipped with: -1 reservible curved door made of safety glass -2 side panels removable from inside -key locking n 2433A -2 depth adjustable uprights -top and bottom cable entries to DLP trunking system format -pre-cut back cable entries -top and bottom perforations for natural ventilation Charcoal grey RAL 7016			
1	0462 20	Capacity 6 U	Width (mm) 314	Height (mm) 352	Permissible load (kg) 12
		10" equipments			
1	0335 92	Modular empty panel 10" panel - 1 U For up to 2 connector units or 2 fibre optic units (p. 74)			
1	0462 23	Fixed shelf 1 U Depth 120 mm max. load. 10 kg			
1	0462 25	230 Vac power supply units To be equipped with Mosaic 2P+E sockets Capacity: 8 modules			
1	0462 26	4 x 2P+E Schuko sockets, black			



Legrand cabling system LCS² cabinets



6348 05



6348 02

Pack	Cat. Nos	Wall mounting cabinets
		Wall mounting cabinets equipped with One door made of tinted glass Top & bottom cable entry plates Ventilation grills at sides White RAL9002
1	6348 05	6U capacity cabinet
1	6348 06	9U capacity cabinet
1	6348 07	12U capacity cabinet
1	6348 08	15U capacity cabinet

Dimensions
(mm)
H x
W x D

371.30 x
600 x 500
504.65 x
600 x 500
638 x
600 x 500
771.35 x
600 x 500

Pack	Cat. Nos	Accessories
1	6348 16	Mounting accessories Pkt (20 nos. each of 3)
1	6348 17	Cable manager 1U Metal
1	6348 15	230 V AC 90 CFM fans
1	6348 10	Cantilever Trey. 1U 225D
1	6348 18	Earthing strips 150 mm H

Pack	Cat. Nos	Free Standing cabinets
		Free Standing Cabinets equipped with Reversable door made of Tinted glass Reversal metal rear door Ventilation grills on all sides Cable entry at top and bottom Reducing cable channels through the usable ht white RAL9002
1	6348 00	22U capacity cabinet
1	6348 04	27U capacity cabinet
1	6348 01	36U capacity cabinet
1	6348 02	42U capacity cabinet

Dimensions
(mm)
H x
W x D

1124.9 x
800 x 800
1357 x
800 x 800
1747.2 x
800 x 800
2013.9 x
800 x 800

Pack	Cat. Nos	Accessories
1	6348 11	Heavy duty shelf support
1	6348 16	Mounting accessories Pkt (20 nos. each of 3)
1	6348 17	Cable manager 1U Metal
1	6348 15	230 V AC 90 CFM fans
1	6348 18	Earthing strips 150 mm H

Dimensions
(mm)
H x D
600 X 475

Legrand cabling system LCS²

Arteor™

cover plates - square and round version



5757 10



5757 40



5759 10



5759 30

Pack	Cat.Nos	Neutral - square version		Dimensions in mm
	● White	Supplied with support frames		
	5757 00	Indian standard		
10/100		1 module		92 x 92
10/100	5757 10	2 modules		92 x 92
10/100	5757 20	3 modules		129 x 92
5/50	5757 30	4 modules		157 x 92
5/50	5757 40	6 modules		237.5 x 92
5/50	5757 50	8 modules		252.5 x 92
2/20	5757 60	2 x 4 modules		157 x 178
2/20	5757 70	2 x 6 modules		237.5 x 178
2/20	5757 80	2 x 8 modules		237.5 x 178
2/12	5757 90	3 x 6 modules		237.5 x 246
2/12	5758 00	3 x 8 modules		237.5 x 246

Pack	Cat.Nos	Neutral - round version		Dimensions in mm
	● White	Supplied with support frames		
	5759 00	Indian standard		
10/100		2 modules		92 x 92
10/100	5759 10	3 modules		129 x 92
5/50	5759 20	4 modules		157 x 92
5/30	5759 30	6 modules		237.5 x 92
5/30	5765 80	8 modules		252.5 x 92
2/20	5759 40	2 x 4 modules		157 x 178
2/16	5759 50	2 x 6 modules		237.5 x 178

Bold catalogue numbers are products normally available with Legrand (India) stockists.

Cat. nos. that are not bold - delivery within 4 - 8 weeks from the date of order.

Bold packing quantity is our mandatory packing. Orders to be placed by Legrand (India) stockists in multiples of the same.

Legrand cabling system LCS²

Arteor™

cover plates - square and round version



5757 21



5757 22



5759 11



5759 12



5759 22

Pack	Cat.Nos		Neutral - square version		Dimensions in mm
	Pearl Alu	Graphite	Supplied with support frames	Indian standard	
10/100	5757 01	5757 02	1 module		92 x 92
10/100	5757 11	5757 12	2 modules		92 x 92
10/100	5757 21	5757 22	3 modules		129 x 92
5/50	5757 31	5757 32	4 modules		157 x 92
5/30	5757 41	5757 42	6 modules		237.5 x 92
5/30	5757 51	5757 52	8 modules		252.5 x 92
2/20	5757 61	5757 62	2 x 4 modules		157 x 178
2/16	5757 71	5757 72	2 x 6 modules		237.5 x 178
2/16	5757 81	5757 82	2 x 8 modules		237.5 x 178
2/12	5757 91	5757 92	3 x 6 modules		237.5 x 246
2/12	5758 01	5758 02	3 x 8 modules		237.5 x 246

Pack	Cat.Nos		Neutral - round version		Dimensions in mm
	Pearl Alu	Graphite	Supplied with support frames	Indian standard	
10/100	5759 01	5759 02	2 modules		92 x 92
10/100	5759 11	5759 12	3 modules		129 x 92
5/50	5759 21	5759 22	4 modules		157 x 92
5/30	5759 31	5759 32	6 modules		237.5 x 92
5/30	5765 81	5765 82	8 modules		252.5 x 92
2/20	5759 41	5759 42	2 x 4 modules		157 x 178
2/16	5759 51	5759 52	2 x 6 modules		237.5 x 178

Bold catalogue numbers are products normally available with Legrand (India) stockists.

Cat. nos. that are not bold - delivery within 4 - 8 weeks from the date of order.

Bold packing quantity is our mandatory packing. Orders to be placed by Legrand (India) stockists in multiples of the same.

Legrand cabling system LCS² Arteor™ cover plates - square version



Legrand cabling system LCS² Arteor™ cover plates - round version



Pack	Cat.Nos	Tattoo	Dimensions in mm
1/5/30	Edition 1 5762 98	Supplied with support frames Indian standard 1 module	92 x 92
1/5/30	5763 18	2 modules	92 x 92
1/20	5763 38	3 modules	129 x 92
1/20	5763 58	4 modules	157 x 92
1/5	5763 88	6 modules	237.5 x 92
1/5	5764 08	8 modules	252.5 x 92

Pack	Cat.Nos	Tattoo	Dimensions in mm
1/5/30	Edition 1 5763 08	Supplied with support frames Indian standard 2 modules	92 x 92
1/20	5763 28	3 modules	129 x 92
1/20	5763 48	4 modules	157 x 92
1/5	5763 68	6 modules	237.5 x 92
1/5	5763 98	8 modules	252.5 x 92

For more cover plate options, refer Arteor Technical Catalogue

Bold catalogue numbers are products normally available with Legrand (India) stockists.
Cat. nos. that are not bold - delivery within 4 - 8 weeks from the date of order.
Bold packing quantity is our mandatory packing. Orders to be placed by Legrand (India) stockists in multiples of the same.

Legrand cabling system LCS²

Mosaic™ plates plastic plates



6745 51



6745 52



6745 53



6745 56

Pack	Cat. nos.	Mosaic white plates
		Superior finish, screwless curved look. Supported by metal frame behind for solid strength. Possible to adjust in horizontal or vertical direction, when flush box is tilted. Supplied with 30 mm long screws for perfect fixing if wall box is overflushed.
		White cover plates
20/200	6745 51	For 1 module (square)
20/200	6745 52	For 2 modules (square)
10/100	6745 53	For 3 modules
5/50	6745 54	For 4 modules
5/50	6745 56	For 6 modules
5/50	6745 57	For 8 modules (for specific box fits on metal flush box 689042)
5/50	6745 58	For 8 modules
5/25	6745 92	For 8 modules (2 row x 4)
10	6745 59	For 12 modules (2 row x 6)
10	6745 60	For 18 modules (3 row x 6)

Dimensions (mm)
H x W

20/200	6745 51		For 1 module (square)	86 x 86
20/200	6745 52		For 2 modules (square)	86 x 86
10/100	6745 53		For 3 modules	86 x 121
5/50	6745 54		For 4 modules	86 x 146
5/50	6745 56		For 6 modules	86 x 224
5/50	6745 57		For 8 modules (for specific box fits on metal flush box 689042)	86 x 245
5/50	6745 58		For 8 modules	86 x 224
5/25	6745 92		For 8 modules (2 row x 4)	172 x 146
10	6745 59		For 12 modules (2 row x 6)	172 x 224
10	6745 60		For 18 modules (3 row x 6)	240 x 224

Legrand cabling system LCS²

Flush boxes



6890 07

Sliding clamp for vertical adjustment



6890 09



6890 10



6890 11



6890 12

Pack	Cat.Nos	Flush boxes
		Factory made metal sheet enclosure. Top, bottom, side and back wall knockout for conduit entry from any direction. Possible to break open knockout without any special tool.
		Dimensions (mm) H x W x D
40	6890 07	For 1/2 modules
40	6890 08	For 3 modules
40	6890 09	For 4 modules
40	6890 10	For 6 modules
40	6890 42	For 8 modules
20	6890 31	For 8 modules (2 row x 4)
10	6890 11	For 12 modules (2 row x 6) & 16 modules (2 row x 8)
10	6890 12	For 18 modules (3 row x 6) & 24 modules (3 row x 8)

40	6890 07		For 1/2 modules	76.5 x 76.5 x 51.0
40	6890 08		For 3 modules	76.5 x 99.7 x 51.0
40	6890 09		For 4 modules	76.5 x 136.8 x 51.0
40	6890 10		For 6 modules	76.5 x 214.2 x 51.0
40	6890 42		For 8 modules	77.3 x 232.8 x 51.0
20	6890 31		For 8 modules (2 row x 4)	136.8 x 136.6 x 61
10	6890 11		For 12 modules (2 row x 6) & 16 modules (2 row x 8)	145.3 x 215 x 61.2
10	6890 12		For 18 modules (3 row x 6) & 24 modules (3 row x 8)	213.3 x 215 x 61.2

Important note : Fixing holes are in oblong shape for horizontal adjustments of ± 5 mm. e.g. for 1 module 60.3 ± 5mm

Bold catalogue numbers are products normally available with Legrand (India) stockists.
Cat. nos. that are not bold - delivery within 4 - 8 weeks from the date of order.

Bold packing quantity is our mandatory packing. Orders to be placed by Legrand (India) stockists in multiples of the same.

Legrand cabling system LCS²

19" LCS² enclosures and server enclosures

General characteristics

Metallic extendable enclosures. RAL 7016 textured polyester coating providing excellent resistance to corrosion and scratching
 Front glass safety door, front and rear micro perforated metal doors for server enclosures
 Protection index (weatherproof) against solid objects and liquids: IP 20. Protection index against mechanical shocks: IK 08
 Perforations in 19" uprights: 9.5 x 9.5 mm
 Permissible load: 10 kg/U (or 420 kg for a 42 U enclosure), 15 kg/U for server enclosure

Compliance with standards

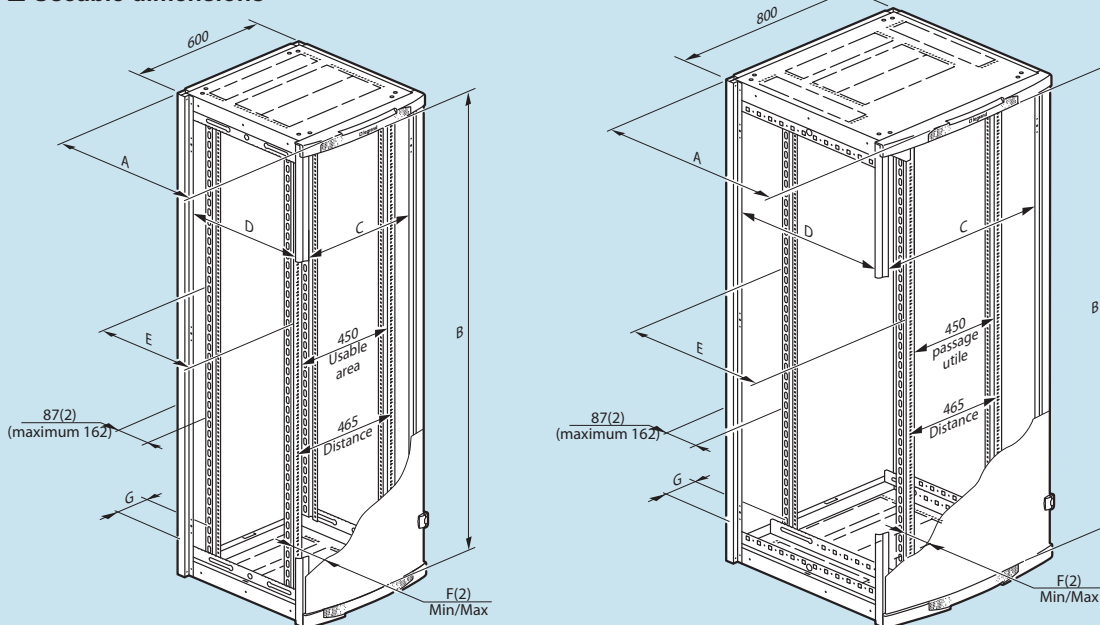
LCS² enclosures comply with the following standards:

IEC 60529 EN 60529	(NF C 20-010) Degrees of protection provided by enclosures (IP code)
IEC 62262 EN 62262	(NF EN 50102, NF C 20-015) Degree of protection provided by enclosures of electrical equipment against external mechanical impacts (IK code)
IEC 60950-1 EN 60950-1 C 77-210-1	Safety of data processing equipment
EIA-310-D	Cabinets, enclosures, panels and associated equipment (ANSI/EIA/310-D-1992)
IEC 60297-1 and 2 DIN 41414-7	(NF C 20-150, NF C 20-151) Sizes of mechanical structures of the 482.6 mm (19 in) series
IEC 60917-1 EN 60917-1	Modular order for the development of mechanical structures for electronic infrastructures
IEC 60917-2-1 EN 60917-2-1	Modular order for the development of mechanical structures for electronic infrastructures. Coordination dimensions for infrastructure interfaces in widths of 25 mm (enclosure and frame dimensions)

LCS² enclosures can be integrated into installations complying with the following standards:

EN 50173-1	Information technology - Generic cabling systems
EN 50174-1 & 2 C 90-480-1 & 2	Information technology - Cabling installation.
ISO IEC 11801	Information technology - Generic cabling for customer premises
NF C 15-100 Part 4-41	Low voltage electrical installations - recommendations

Useable dimensions



Overall dimensions (mm)

Cat.Nos	Capacity	A	Usable area			E	F ⁽¹⁾		G
			B	C	D		Min.	Max.	
0463 00	24 U	645	1085	490	490	425	118	193	44
0463 06	29 U		1307						
0463 12	33 U		1485						
0463 18/30	42 U	845	690	625	122	197	144		
0463 19		845							
0463 21		845							
0463 22/33	47 U	1045	2108	890	825				
0463 23		845							
0463 28		1045							
0463 29									

Server enclosures

Cat.Nos	Capacity	H ⁽²⁾	L	P	A	B
0463 85	42 U	2026	610	1092	1138	1608
0463 86	42 U	2026	810	1092	1525	1808

Cat.Nos	Capacity	H ⁽²⁾	L	D	A	B
0463 00	24 U	1226	610	645	1138	1208
0463 06	29 U	1448				
0463 12	33 U	1626				
0463 18/30	42 U	2026	810	845	1525	1408
0463 19				845		
0463 21				845		
0463 22/33	47 U	2248	810	1045	1525	1808
0463 23				845		
0463 28				1045		
0463 29						

Server enclosures

Cat.Nos	Capacity	A	Usable area			E	F ⁽²⁾		G
			B	C	D		Min.	Max.	
0463 85	42 U	1092	1886	490	890	825	122	197	144
0463 86	42 U	1092	1886	690	890	825	122	197	144

(1) Continuous adjustment with adjustments in widths of 12.5 mm

(2) Without adjustment levelling feet (+17 to 50 mm with feet)

All dimensions are in mm
 1 inch = 25.4mm
 Accuracy of dimensions = ± 2mm

Legrand cabling system LCS²

19" LCS² enclosures, server enclosures and accessories

■ LCS² cable entries (mm)

Pre-cut at the top and bottom in 19" format (useable area 451 mm)

	W. 600	W. 800
D. 600		
D. 800		
D. 1000	-	

■ LCS² server enclosure cable entries (mm)

Pre-cut at the top in 19" format (useable area 451 mm)
Bottom central cut (805 x 450 mm)

	Height	LOW
Width 600		
Width 800		

■ Weight enclosures (kg)

Weights shown correspond to net weight (without packaging)

Cat.Nos	Weight Enclosure	Weight Extension enclosure
0463 00	69	-
0463 06	77	-
0463 12	84	-
0463 18/30 (ext)	99	72
0463 19	110	-
0463 21	114	-
0463 22/33 (ext)	127	90
0463 23	151	-
0463 28	138	-
0463 29	163	-

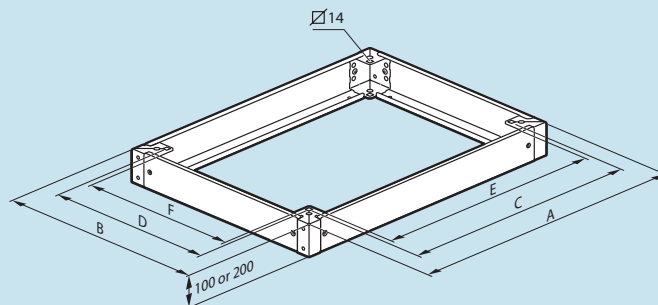
■ Server enclosures

Weights shown correspond to net weight (without packaging)

Cat.Nos	Weight Enclosure	Weight Extension enclosure
0463 85	155	-
0463 86	166	-

■ Enclosure bases (mm)

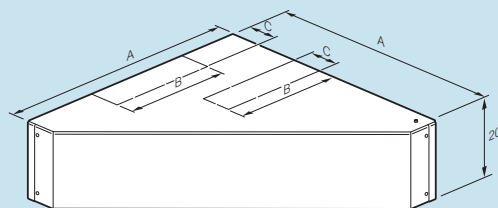
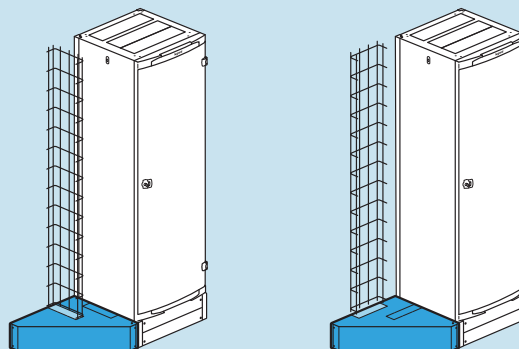
Base kit + side traps



Enclosure dim. Width x Depth	Overall		Mounting		Usable area	
	A	B	C	D	E	F
600 x 600	599	599	478	478	449	449
600 x 800	599	799	478	678	449	649
800 x 600	799	599	678	478	649	449
800 x 800	799	799	678	678	649	649
600 x 1000	599	999	478	878	449	849
800 x 1000	799	999	678	878	649	849

■ Linking interface (mm)

Left or right assembly of an enclosure fitted with a 200 mm high base
Reversible interface cover

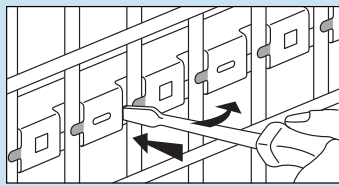
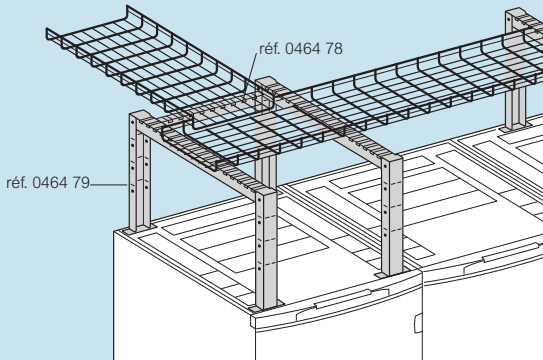


Enclosure dim. Depth	A	B	C
600	595	435	120

Legrand cabling system LCS²

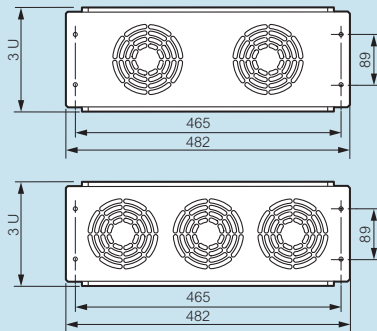
Enclosure accessories 19" LCS² (continued)

■ Supports for cable guides on server enclosures



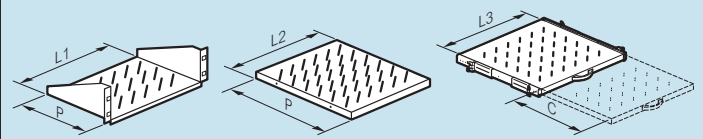
Cable guides can be installed quickly on the supports
Cat.Nos 0464 72/73/74/78/79

■ 19" plates with fans (mm)



Cat.Nos	Ventilation zone		
	Number of fans	Section (cm ²)	Output (m ³ /h)
0464 87	2	114	180
0464 88	3	172	270

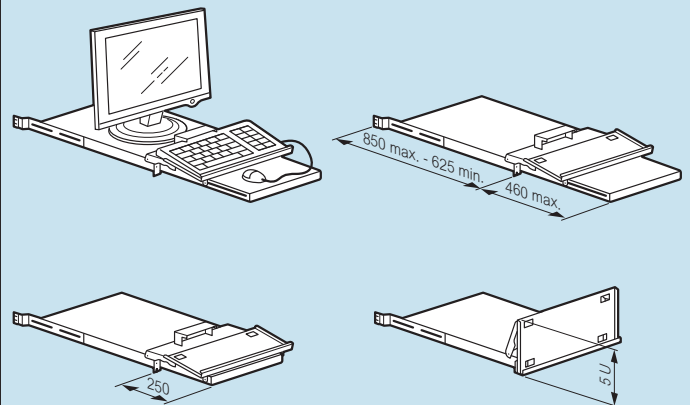
■ Shelves (mm)



Cat.Nos	D	Useable width			C
		L1	L2	L3	
0465 00	115	430			
0462 23 ⁽¹⁾	120	216			
0465 01	200	430			
0465 02	360	430			
0465 05	450		435		
0465 06	650		435		
0465 07	850		435		
0465 08	450			425	320
0465 09	650			425	420
0465 10	650			425	420
0465 17	850		435		
0465 18	850			425	420

(1) Fixing centre 236.5 mm

■ Keyboard support shelf (mm)



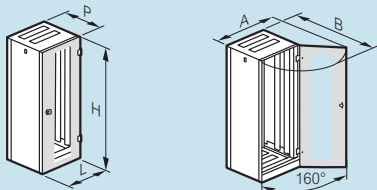
Legrand cabling system LCS² Linkeo 19" LCS² enclosures

General characteristics

Metallic extendable enclosures
RAL 7035 textured polyester coating providing excellent resistance to corrosion and scratching
Front glass safety door
Protection index (weatherproof) against solid objects and liquids: IP 20
Protection index against mechanical shocks: IK 08
Perforations in uprights: 9.5 x 9.5 mm
Permissible load: 10 kg/U (or 420 kg for a 42 U cabinet)

Compliance with standards: identical to LCS²

Overall dimensions (mm)



Cat.Nos	Capacity	H ⁽¹⁾	L	D	A	B
0463 52	33 U	1626	610	635	1138	1208
0463 58/81	42 U	2026		835		
0463 59			810	635	1525	1408
0463 60				835		
0463 61/84						

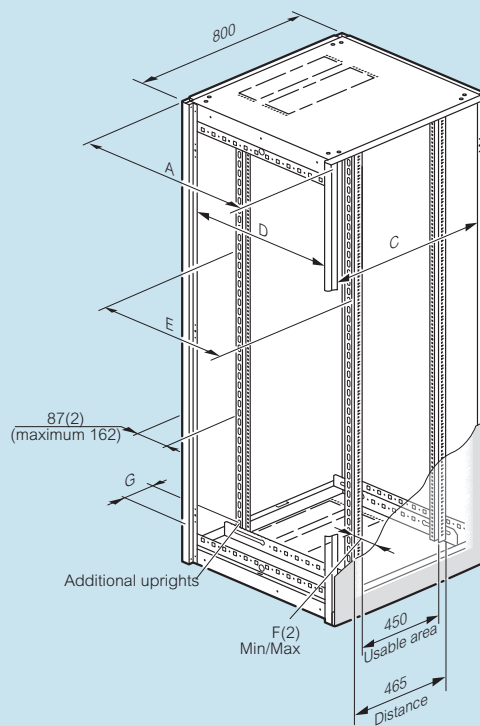
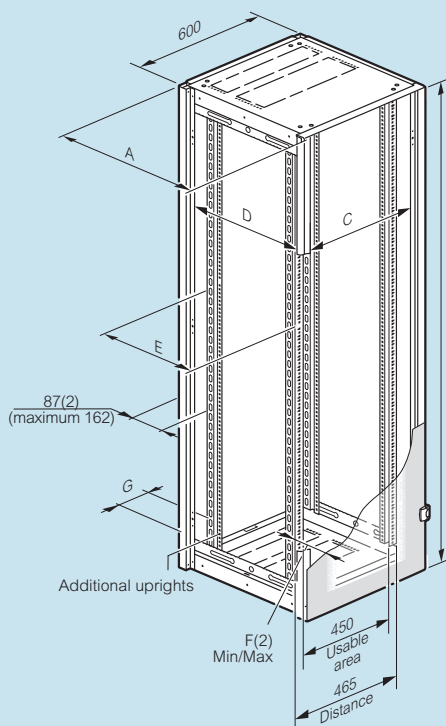
(1) Without adjustment levelling feet (+17 to 50 mm with feet)

Cable entries (mm)

Pre-cut at the top and bottom in 19" format (useable area 451 mm)

	Width 600	Width 800
D. 600		
D. 800		

Useable dimensions (mm)



Weight (kg)

Weights shown correspond to net weight (without packaging)

Cat.Nos	Weight Enclosure	Weight Extension enclosure
0463 52	82	-
0463 58/81 (ext)	95	67
0463 59	106	-
0463 60	113	-
0463 61/84 (ext)	126	92

Cat.Nos	Capacity	A ⁽¹⁾	Usable area			E	F ⁽²⁾		G
			B	C	D		Min.	Max.	
0463 52	33 U	635	1485	490	490	425	94	169	44
0463 58/81	42 U		1886		690				
0463 59		490		425					
0463 60		490		425					
0463 61/84		490		425					

(1) Overall dimensions

(2) Continuous adjustment with adjustments in widths of 12.5 mm

Legrand cabling system LCS²

LCS² 19" and 10" cabinets

General characteristics

Metallic wall-mounting cabinets
 RAL 7016 textured polyester coating providing excellent resistance to corrosion and scratching
 Front safety glass door
 Protection index (weatherproof) against solid objects and liquids: IP 20
 Protection index against mechanical shocks: IK 08
 Permissible load: 3 kg/U (or 48 kg for a 19" cabinet 16 U)
 12 kg for the 10" cabinet 6 U

Compliance with standards

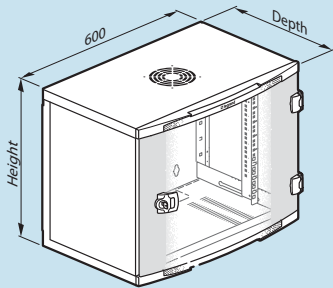
LCS² cabinets comply with the following standards:

IEC 60529 EN 60529	(NF C 20-010) Degrees of protection provided by enclosures (IP code).
IEC 62262 EN 62262	(EN 50102, NF C 20-015) Degrees of protection provided by enclosures of electrical material against external mechanical impacts (IK code).
IEC 60950-1 EN 60950-1 C 77-210-1	Safety of data processing equipment.
EIA-310-D	Cabinets, enclosures, panels and associated equipment (ANSI / EIA / 310-D-1992).
IEC 60297-1 & 2 DIN 41414-7	(NF C 20-150, NF C 20-151) Sizes of mechanical structures of the 482.6 mm (19 in) series

LCS² cabinets can be integrated into installations complying with the following standards:

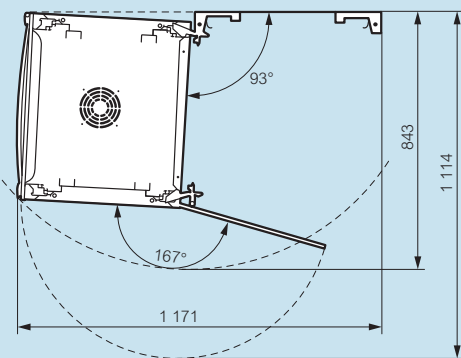
EN 50173-1	Information technology - Generic cabling systems.
EN 50174-1 & 2 C 90-480-1 & 2	Information technology - Cabling installation.
ISO IEC 11801	Information technology - Generic cabling for customer premises
NF C 15-100 Part 4-41	Low voltage electrical installations - Recommendations.
UTE C90-483	Residential cabling for communication networks

Overall dimensions (mm)

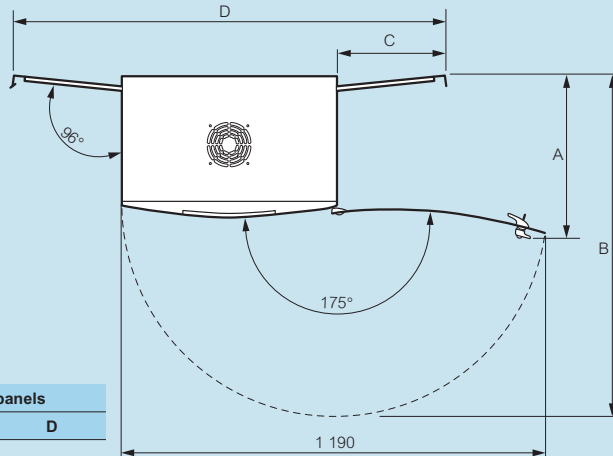


	Cat.Nos	Capacity	Height	Width	Depth
Fixed 19" cabinets	0462 00	6 U	350	600	400
	0462 01	9 U	500		
	0462 02	12 U	600		
	0462 03	16 U	800		
	0462 06	9 U	500		580
	0462 07	12 U	600		
	0462 08	16 U	800		
	0462 09	21 U	1000		
19" pivoting cabinets	0462 11	9 U	500	600	600
	0462 12	12 U	600		
	0462 13	16 U	800		
	0462 14	21 U	1000		
10" cabinet	0462 20	6 U	352	314	300

Pivoting bottom opening

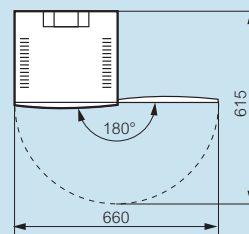


Front opening door and side panels



	Cat.Nos	Open doors		Open panels	
		A	B	C	D
Fixed 19" cabinets	0462 00	400	962	305	1205
	0462 01				
	0462 02				
	0462 03				
	0462 06	580	1140	482.5	1565
	0462 07				
	0462 08				
	0462 09				
19" pivoting cabinets	0462 11	600	1179	482.5	1565
	0462 12				
	0462 13				
	0462 14				

10" cabinet door opening Cat.No 0462 20

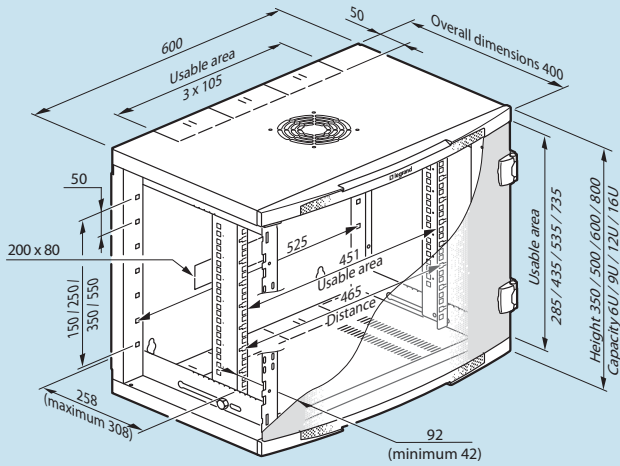


All dimensions are in mm
 1 inch = 25.4mm
 Accuracy of dimensions = ± 2mm

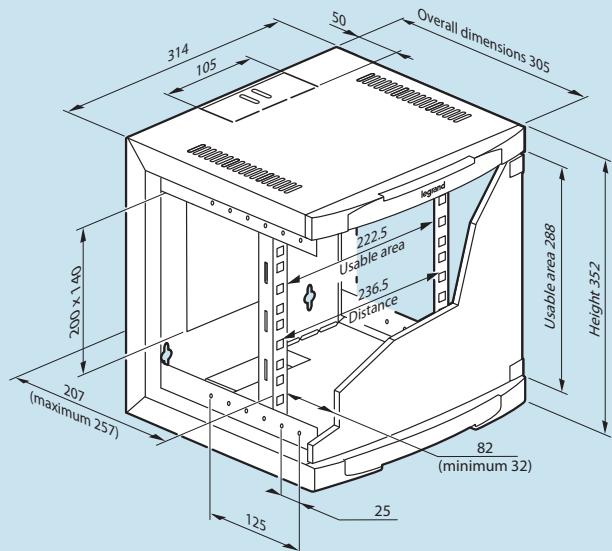
Legrand cabling system LCS² LCS² 19" and 10" cabinets

■ Useable dimensions (mm)

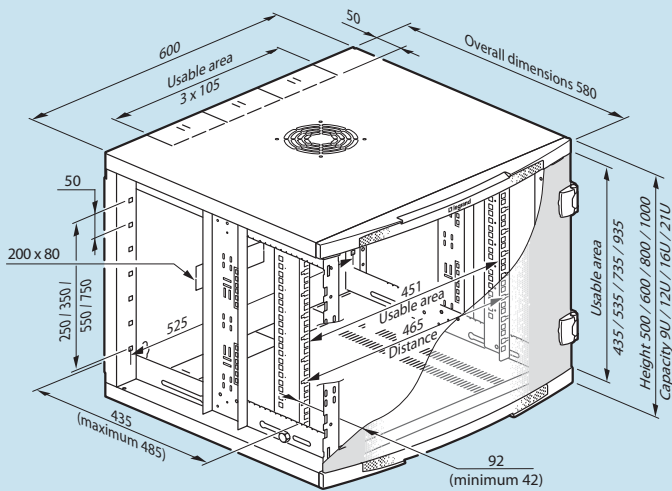
Fixed 19" LCS² cabinets depth 400 mm



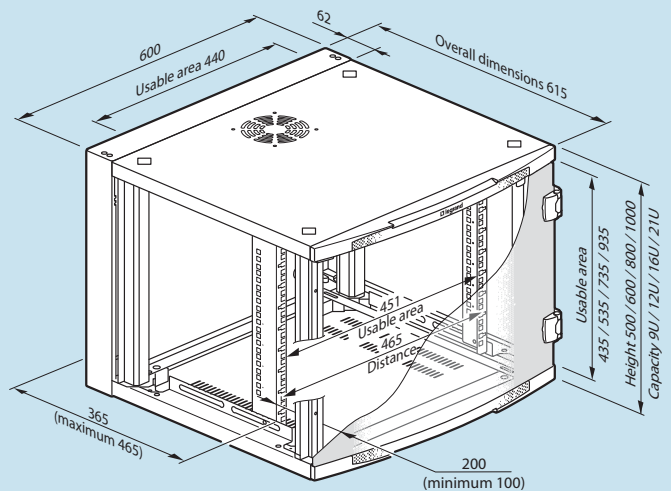
10" LCS² cabinet depth 300 mm



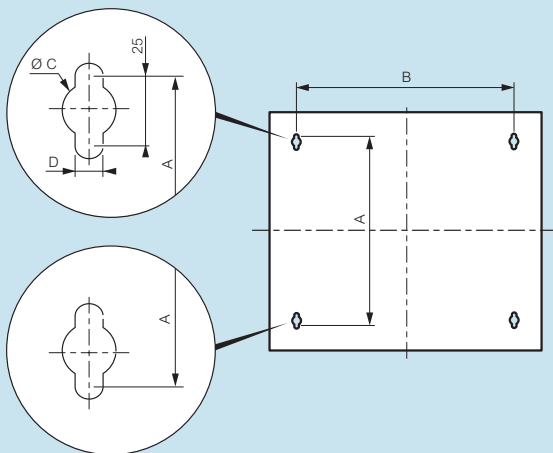
Fixed 19" LCS² cabinets depth 580 mm



19" LCS² pivoting cabinets depth 600 mm



■ Fixing of cabinets (mm)



	Capacity	A	B	C	D
Fixed 19" cabinets	6 U	275	408	20	11
	9 U	425			
	12 U	525			
	16 U	725			
	21 U	925			
19" pivoting cabinets	9 U	425	500	18	9
	12 U	525			
	16 U	725			
10" cabinets	6 U	275	250	15	6.5

■ Weight (kg)

	Cat.Nos	Weight
Fixed 19" cabinets	0462 00	16.7
	0462 01	20.4
	0462 02	22.8
	0462 03	26
	0462 06	25.7
	0462 07	32.7
	0462 08	41.5
	0462 09	52.5
	0462 11	31.8
19" pivoting cabinets	0462 12	40
	0462 13	47.3
	0462 14	59
10" cabinet	0462 20	8

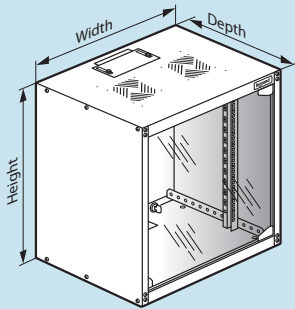
Legrand cabling system LCS² Linkeo fixed 19" LCS² cabinets

General characteristics

Metallic wall cabinets
RAL 7035 textured polyester coating providing excellent resistance to corrosion and scratching
Glass safety door
Protection index (weatherproof) against solid objects and liquids: IP 20
Protection index against mechanical shocks: IK 08
Perforations in uprights: 9.5 x 9.5 mm
Permissible load: 3 kg/U (or 48 kg for a 19" cabinet 16 U)

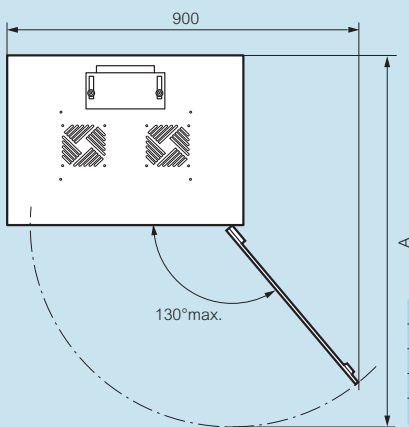
Compliance with standards: identical to 19" LCS² cabinets

Overall dimensions (mm)



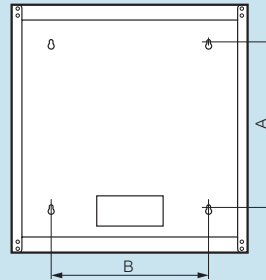
Cat.Nos	Capacity	Height	Width	Depth
0462 30	6 U	367	600	400
0462 31	9 U	500		400
0462 42	12 U	625		600
0462 43	16 U	810		600

Door opening (mm)



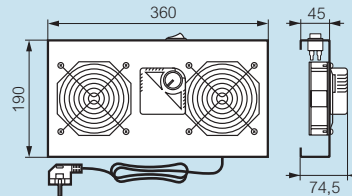
Cat.Nos	Capacity	A
0462 30	6 U	930
0462 31	9 U	
0462 42	12 U	1130
0462 43	16 U	

Fixing (mm)



Cat.Nos	Capacity	A	B
0462 30	6 U	153	400
0462 31	9 U	286	
0462 42	12 U	419	
0462 43	16 U	597	

Fan kit (mm)



Cat.No	Ventilation zone		
	Number of fans	Cross-section (mm ²)	Output (m ³ /h)
0462 70	2	110	160

Legrand cabling system LCS²

Compliance of the LCS² systems with standards and certifications

LCS² systems and components (de-embedded) conform to the following standards:

- EIA/TIA 568 B2.10
- EN 50173-1 and EN 50173-2
- ISO/IEC 11801 version 2

The LCS² system supports 10G applications Base-T up to 100 m in a transmission channel conforms with standards ISO/IEC 24750, TIA TSB 155 and IEEE 802.3 an

The class link Ea of the LCS² system also conforms with amendment 1 (04/2008) of standard ISO 11801 and its components conform with draft amendment 2

LCS² systems are certified by expert independent laboratory 3P



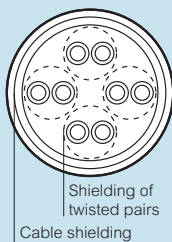
Main characteristics of the LCS² systems

	LCS ² 6A		LCS ² 6		LCS ² 5e
Frequency	500 Mhz		250 Mhz		100 Mhz
Speed	10 Gbit/s		1 Gbit/s		1 Gbit/s
Wiring	Copper	FO	Copper	FO	Copper
Connectors	RJ 45	SC-LC...	RJ 45	SC-LC...	RJ 45
Length cable max.	100 m	variable	100 m	variable	100 m

New names for LAN cables (according to ISO 11801-2)

They correspond to: "type of cable shield"/ "type of twisted pair shield" TP monitoring (for twisted pairs)

Type of cable		Shield of the cable	Shield of pairs twisted
old name	new name		
SSTP	S/FTP	S: screen made up	F: screen formed a metal braid of a ribbon alumin/polyester
SFTP	SF/UTP	SF: combination of ribbon + braid	U: no screen
STP	U/FTP	U: no screen	F: screen formed of a ribbon alumin/polyester
FTP	F/UTP	F: screen formed of a ribbon alumin/polyester	U: no screen
UTP	U/UTP	U: no screen	U: no screen



Zone distribution boxes

Compliance with standards:

- Zone distribution box: EIA/TIA 568
 UTE C 15-900
 NF C 15-100 - NF C 20-730
 EN 50-174.2
 ISO 11801
 EN 50173
 IEC 60950

Cords and cables: ISO 11801 id.2.0, EN 50173-1, EIA/TIA 568

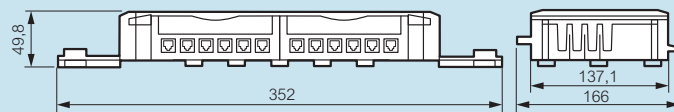
General characteristics:

- 6 or 12 incoming ports (depending on Cat.No) RJ 45 wiring
- 4 to 8 or 12 outgoing ports (depending on Cat.No) maximum Connection of mixed cords via RJ 45 connector (RJ 45/stripped)
- UTP and FTP versions
- Cat. 5e and 6
- for computer applications; telephone, access control etc.

Technical characteristics:

- material: polycarbonate PC hood
Polypropylene PP base
- colour: RAL 7035
- Weatherproofing protection index: IP 21
- Mechanical shock protection index: IK 07
- holds connector units in place on the box: 100 N
- Cables anchored on support using Colring cable ties

Dimensions



Performance

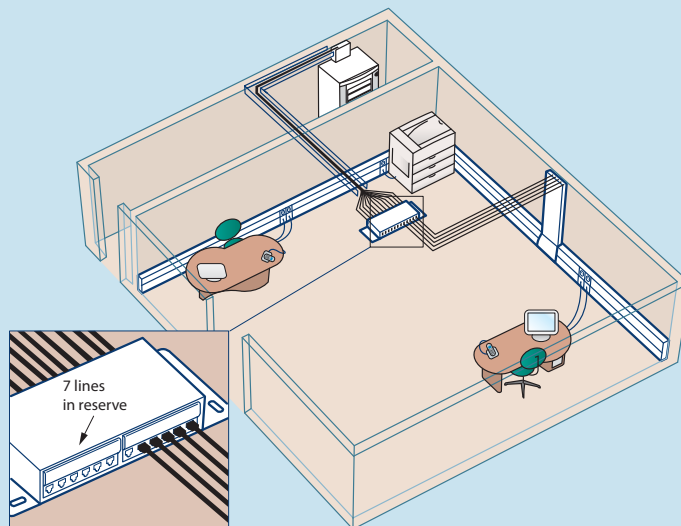
Maximum recommended lengths of links to ensure high performance of the systems with the use of RJ 45 sockets with copper feedthroughs and/or RJ 45 sockets

	Length Associated lengths (m)		
	Cords	Cables	Links
Cat. 6	8	70	78
	15	60	75
	20	55	75
Cat. 5e	8	75	83
	15	65	80
	20	60	80

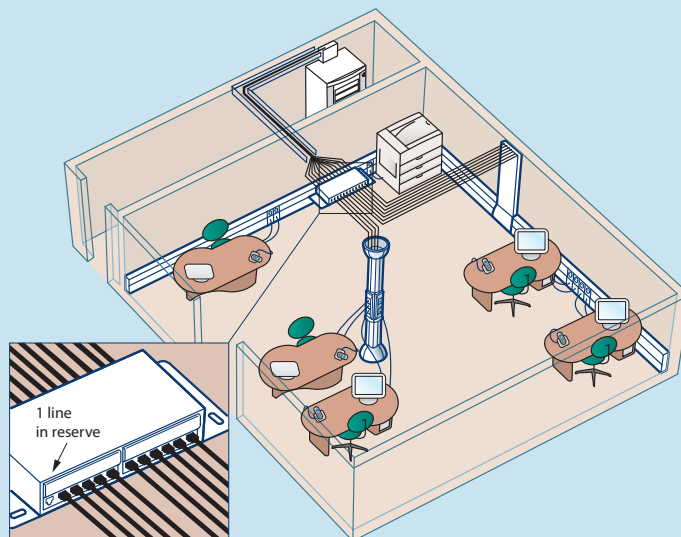
We recommend selecting the shortest wiring lengths for more flexibility regarding cord length in the event of reconfiguration

Application example

A zone distribution box is installed to connect the RJ 45 sockets and meet the future requirements of the installation



Connection to additional RJ 45 sockets is done by adding RJ 45 - RJ 45 cords between the unit and the RJ 45 sockets with copper feedthrough



All dimensions are in mm
 1 inch = 25.4mm
 Accuracy of dimensions = ± 2mm

Legrand cabling system LCS²

Flush-mounting Ethernet 10/100 base T switches

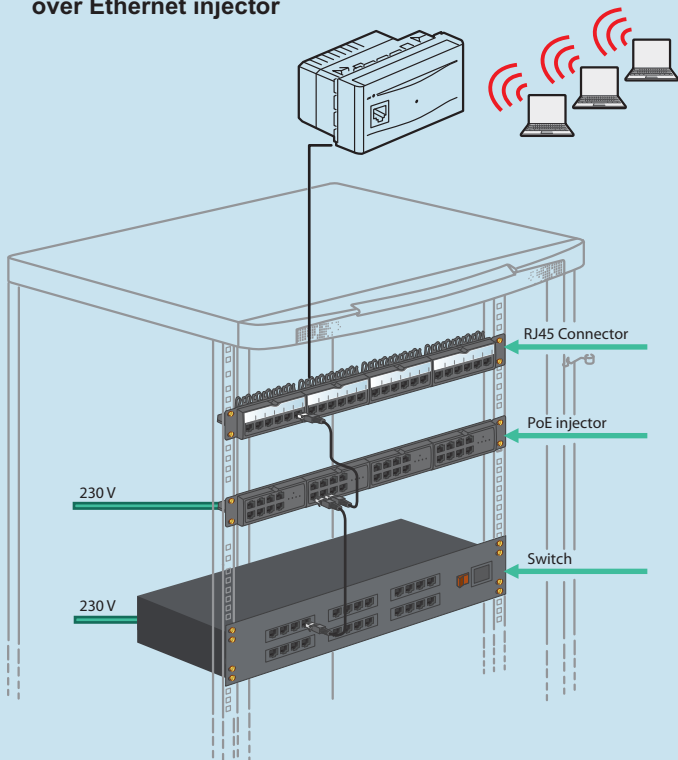
	0779 00	0779 01	0779 20
Power supply	230 V	PoE	230 V
Speed	100 Mbps		
Standards	802.3 / 802.3u	802.3u 802.3 af	802.3 / 802.3u
Common technical characteristics	<ul style="list-style-type: none"> Operating temperature: from 0°C to +40°C Max. humidity level permissible: 95 % Auto MDI-X (takes crossed and straight cords) Orange LED: - on: speed of 100 Mbps - off: speed 10 Mbps Green LED on traffic 		
Additional characteristics	<ul style="list-style-type: none"> SNMP V2C (RFC 1901-1908) Support MIB II (RFC 1213) IP addressing via DHC (according to RFC 2131) Can be administered via WEB interface Backup and updating of configuration files (Upload/download) 		

Arteor / Mosaic Wi-Fi access points

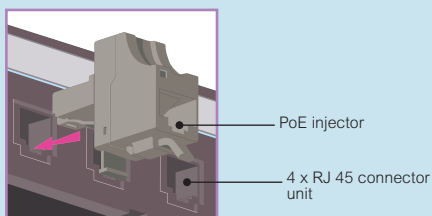
An 802.11 a and b/g solution

Radio communication standard	802.11 b/g	802.11 a
Power supply standard Power over Ethernet	802.3 af	
Frequency band	between 2.40 and 2.48 GHz	5 GHz
Number of available channels	13	8
Max. gross speed	54 Mbps	54 Mbps

Installation principle for a Wi-Fi access point with Power over Ethernet injector



Particular case of the 1 port PoE: Clips directly onto a port on any patch panel. A single cord is necessary to connect it to a port on the switch.



Benefits of a Legrand Wi-Fi access point

- Possibility of simultaneous operation on 2 frequencies, a and b/g
- New products: invited access: used to allocate a network dedicated to visitors
- Provides a max. gross speed of up to 2 x 54 Mbps in simultaneous mode
- Very high security level: WPA2 encryption (802.11i) and authentication (802.1x)
- Possibility of roaming (moving from one access point to another without breaking the link)
- Quality of service (priority automatically given to voice, then video and finally data)
- Easy to configure and make secure: using the CD supplied with the access point

Installation

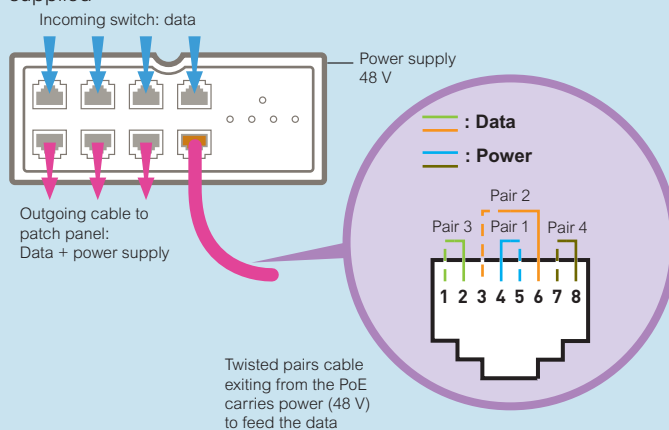
In all supports able to take a Mosaic mechanism (trunking, columns, flush-mounting boxes, floor boxes, etc.)
Do not place access points behind anything that could limit the antenna's range
Access points are connected tool-free via an RJ 45 connector

Sizing

- provide 1 access point for 1 localised requirement (in entrance hall)
- provide 1 access point per 100 m² for overall coverage and a maximum gross speed
- provide 1 access point with an RJ 45 socket for a desk used by visitors

Operation of PoE injector

A PoE injector has one input and one output per access point to be supplied



Legrand services

The Relations Pro⁽¹⁾ service will work with you and guide you in setting up your VDI sites:

- help with sizing the installation
- on-site assistance for integrating products and making important installations secure

Advisors are also available to answer all your technical questions

(1) 0810 48 48 48 (local call rate) Monday to Friday 0800 to 1800

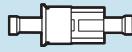
Legrand cabling system LCS²

LCS² fibre optic

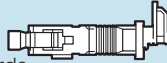
Quick crimping with kit Cat.No 0331 93

Types of connector

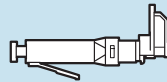
- ST connector: Helical shape locked by "push and turn" bayonet type connector



- SC connector: Rectangular shape "push-pull" latch type locking. Suitable for a large number of active devices Recommended in the generic standards ISO/IEC 11801 and EN 50173



- LC connector: Rectangular shape tab locking Half the size of a conventional connector



Technical characteristics

- the kit is used for attaching the connectors to 900 µm fibre
- average loss of a connection: 0.3 dB
- ideal for high-speed systems: 10 Gb Ethernet provided with 50/125 µm connector
- Operating temperature: from 0 °C to 65 °C

Advantages:

- high quality finish
- no polishing: connectors pre-polished in factory
- no Epoxy type glue required
- easy connection
- no complex tools or consumables required: the termination is made in less than 3 minutes, and is very cost-effective
- practical and light kit
- crimping possible of both multimode and monomode fibres

The 6 essential steps for quick crimping

Step 1: Strip the fibre



Step 2: Cleave the fibre



Step 3: Inspect the fibre



Step 4: Insert the fibre



Step 5: Align the fibre



Step 6: Crimp the connector



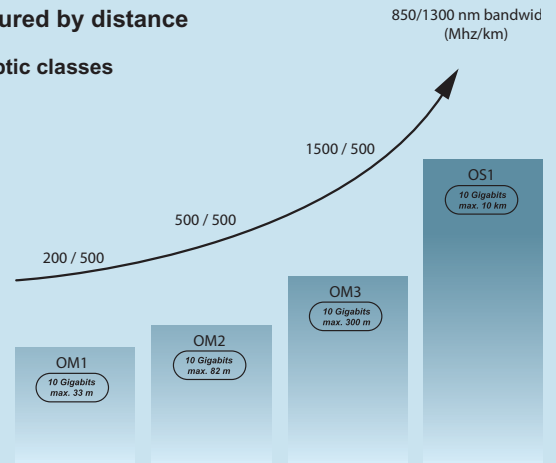
New optical classes ISO 11801 2nd Ed.

Parameters of the optical link (ISO 11801/EN 50173)

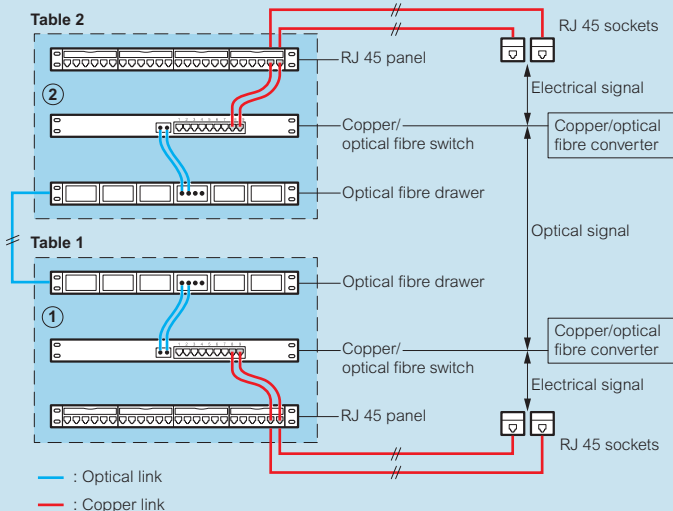
Parameter	Multimode		Monomode	
	850 nm	1 300 nm	1 310 nm	1 550 nm
Fibre attenuation dB/km	3.5 max.	1.5 max.	1.0	1.0
Bandwidth MHz.km	200 min.	500 min.	n/a	n/a
Connector attenuation dB	0.75 max.	0.75 max.	0.75 max.	0.75 max.
Return loss dB	20 min.	20 min.	26 min.	26 min.

Speed ensured by distance

ISO 11801-2 optic classes



Typical layout of an optical link between 2 distribution blocks



Protocols (length max.)	Multimode fibre			Monomode fibre
	OM 1	OM 2	OM 3	OS 1
10 Gb Ethernet (S/L base)	33 m	82 m	300 m	10 km
Ethernet Gb (LX base)	550 m	550 m	550 m	2 km
Ethernet Gb (SX base)	275 m	550 m	550 m	-
Fast Ethernet	2000 m	2000 m	2000 m	2 km
Ethernet 10 Mbps	2000 m	1514 m	1514 m	-
Desired perennity	> 10 years	10 to 15 years	> 15 years	> 15 years
Market trend	↘	↗↗	↗↗↗	↗

All dimensions are in mm
1 inch = 25.4mm
Accuracy of dimensions = ± 2mm

Quality confirmation

Legrand's components, system and performance have been independently tested and approved. The results are certified. Copies of certificates are available from your Legrand consultant.

CATEGORY 6A^{10G}, CLASS E SFTP LINK

CATEGORY 6A^{10G}, CLASS E FTP CHANNEL



Attestation of Conformity

Attestation of Conformity

ISO/IEC, EN & TIA/EIA Screen Continuity
Class E_A / Category 6A
Two Connector Permanent Link

ISO/IEC, EN & TIA/EIA Screen Continuity
Class E_A / Category 6A
Two Connector Channel

Legrand
128 Avenue de Lattre de Tassigny
F-87045 Limoges Cedex, France

Legrand
128 Avenue de Lattre de Tassigny
F-87045 Limoges Cedex, France

Attestation of Conformity No. 109601

Attestation of Conformity No. 109599

This type of Class E_A / Category 6A screen continuity two connector permanent link has been tested by 3P Third Party Testing and complies with the 10 Gigabit Ethernet requirements of IEEE P802.3an, Class E_A requirements of amendment 1 to 2nd Edition ISO/IEC 11801, amendment 2 to 2nd Edition ISO/IEC 11801 (Draft 25 N 1645), and amendment 1 to CENELEC EN 50173-1:2007 (Draft EN 50173-1 prAA June 2008), and Category 6A requirements of ANSI/TIA/EIA-568-B.2-10. The permanent link is only specified for screen continuity and screening performance has therefore not been verified. The Attestation of Conformity is only valid for the actually tested permanent link samples in T568B configuration connected with RJ 45 plugs from Legrand patch cords, P/N 51780, P/N 51781, P/N 51782 and P/N 51783, and consisting of the following Legrand components:

This type of Class E_A / Category 6A screen continuity two connector channel has been tested by 3P Third Party Testing and complies with the 10 Gigabit Ethernet requirements of IEEE P802.3an, Class E_A requirements of amendment 1 to 2nd Edition ISO/IEC 11801, amendment 2 to 2nd Edition ISO/IEC 11801 (Draft 25 N 1645), and amendment 1 to CENELEC EN 50173-1:2007 (Draft EN 50173-1 prAA June 2008), and Category 6A requirements of ANSI/TIA/EIA-568-B.2-10. The channel is only specified for screen continuity and screening performance has therefore not been verified. The Attestation of Conformity is only valid for the actually tested channel samples in T568B configuration and consisting of the following Legrand components:

Cable:	Horizontal Cable,	P/N 32777
Qualification Status:	Manufacturer verified	
Conn. Hardware:	Modular Jacks,	P/N SA63 and P/N SB63
Qualification Status:	Manufacturer Verified	having PCB Marking C6A Link EP2904

Cables:	Horizontal Cable,	P/N 32778
	Flexible Cable with cords,	P/N 51780, P/N 51781, P/N 51782 and P/N 51783
Qualification Status:	Manufacturer verified	
Conn. Hardware:	Modular Jacks,	P/N SA63 and P/N SB63
Qualification Status:	Manufacturer Verified	having PCB Marking C6A Link EP2904
Cords:	1.0 m, 2.0 m, 3.0 m and 5.0 m,	P/N 51780, P/N 51781, P/N 51782 and P/N 51783
Qualification Status:	Manufacturer Verified	

Hoersholm, 9th June 2009

Hoersholm, 9th June 2009

Ole Lambertsen
Ole Lambertsen
Test Responsible

Poul Villien
Poul Villien
Coordinating Manager

Independent Testing - For End User Confidence

Hoersholm, 8th June 2009

Hoersholm, 8th June 2009

Ole Lambertsen
Ole Lambertsen
Test Responsible

Poul Villien
Poul Villien
Coordinating Manager

Independent Testing - For End User Confidence

Quality confirmation

Legrand's components, system and performance have been independently tested and approved. The results are certified. Copies of certificates are available from your Legrand consultant.

CATEGORY 6, CLASS E F/UTP CHANNEL



Attestation of Conformity

ISO/IEC, EN & TIA/EIA Screen Continuity
Class E / Category 6
Two Connector Channel

Legrand
128 Avenue de Lattre de Tassigny
F-87045 Limoges Cedex, France

Attestation of Conformity No. 109618

This type of Class E / Category 6 screen continuity two connector channel has been tested by 3P Third Party Testing and complies with Class E channel requirements of 2nd Edition ISO/IEC 11801 and CENELEC EN 50173-1:2007, and Category 6 channel requirements of ANSI/TIA/EIA-568-B-2-1. The channel is only specified for screen continuity and screening performance has therefore not been verified. The Attestation of Conformity is only valid for the actually tested channel samples in T568B configuration, and consisting of the following Legrand components:

Cables:	Horizontal Cable, Flexible Cable from cords, Qualification Status:	P/N 32757 P/N 51752, P/N 51753, P/N 51754 and P/N 51755 Manufacturer verified
Conn. Hardware:	Modular Jacks, Qualification Status:	P/N SA53 and P/N SB53 having PCB Marking HS000 97AA C5E C6 Manufacturer Verified
Cords:	1,0 m, 2,0 m, 3,0 m and 5,0 m, Qualification Status:	P/N 51752, P/N 51753, P/N 51754 and P/N 51755 Manufacturer Verified

Hoersholm, 14th July 2009

Hoersholm, 14th July 2009

Ole Lambertsen
Test Responsible

Poul Villien
Coordinating Manager

Independent Testing - For End User Confidence

CATEGORY 6, CLASS E F/UTP LINK



Attestation of Conformity

ISO/IEC, EN & TIA/EIA Screen Continuity
Class E / Category 6
Two Connector Permanent Link

Legrand
128 Avenue de Lattre de Tassigny
F-87045 Limoges Cedex, France

Attestation of Conformity No. 109609

This type of Class E / Category 6 screen continuity two connector permanent link has been tested by 3P Third Party Testing and complies with Class E permanent link requirements of 2nd Edition ISO/IEC 11801 and CENELEC EN 50173-1:2007, and Category 6 permanent link requirements of ANSI/TIA/EIA-568-B-2-1. The permanent link is only specified for screen continuity and screening performance has therefore not been verified. The Attestation of Conformity is only valid for the actually tested permanent link samples in T568B configuration connected with RJ 45 plugs from Legrand patch cords, P/N 51762, P/N 51763, P/N 51764 and P/N 51765, and consisting of the following Legrand components:

Cables:	Horizontal Cables, Qualification Status:	P/N 32856, P/N 32756 and P/N 32776 Manufacturer verified
Conn. Hardware:	Modular Jacks, Qualification Status:	P/N SA52 and P/N SB52 having PCB Marking HS000 97AA C5E C6 Manufacturer Verified

Hoersholm, 18th June 2009

Hoersholm, 18th June 2009

Ole Lambertsen
Test Responsible

Poul Villien
Coordinating Manager

Independent Testing - For End User Confidence

CATEGORY 5, CLASS E UTP LINK



Attestation of Conformity

ISO/IEC, EN & TIA/EIA Unscreened
Class D⁺ / Category 5e
Two Connector Permanent Link

Legrand
128 Avenue de Lattre de Tassigny
F-87045 Limoges Cedex, France

Attestation of Conformity No. 105450

This type of Class D⁺ / Category 5e unscreened two connector permanent link has been tested by 3P Third Party Testing and complies with the Class D permanent link requirements of 2nd Edition ISO/IEC 11801 and CENELEC EN 50173-1, and the Category 5e permanent link requirements of ANSI/TIA/EIA-568-B.1. The Attestation of Conformity is only valid for the actually tested permanent link samples in T568B designation connected to test equipment with Category 5e RJ 45 plug, and consisting of the following components:

Cable from Legrand:	Horizontal Cable, Qualification Status:	Type 32751 Manufacturer Verified
Conn. Hardw. from Legrand:	Connection Module, Qualification Status:	Type AL01, having PCB Marking 4304 SEC Manufacturer Verified

Hoersholm, 4 March 2005

Ole Lambertsen
Test Responsible

Hoersholm, 4 March 2005

Poul Villien
Coordinating Manager

Independent Testing - For End User Confidence

CATEGORY 5, CLASS D UTP CHANNEL



Attestation of Conformity

ISO/IEC, EN & TIA/EIA Unscreened
Class D⁺ / Category 5e Three Connector Channel

Legrand
128 Avenue de Lattre de Tassigny
F-87045 Limoges Cedex, France

Attestation of Conformity No. 102172

This type of Class D⁺ / Category 5e unscreened three connector channel has been tested by 3P Third Party Testing and complies with the Class D:2000+ channel requirements of the proposed 2nd Editions of ISO/IEC 11801 and CENELEC EN 50173, Class D channel requirements of ISO/IEC 11801 ed. 1.2 and CENELEC EN 50173/A1, and Category 5e channel requirements of ANSI/TIA/EIA-568-B.1. The Attestation of Conformity is valid for the actually tested channel sample in T568A designation consisting of the following components:

Cables from Legrand:	Horizontal Cable, Flexible Cable, Qualification Status:	Type 52751 From Patch Cord, Type 51749/47/45 Manufacturer Verified
Conn. Hardw. from Legrand:	Connection Module, Qualification Status:	Type AL01 having PCB Marking VB 1202 5E Manufacturer Verified
Patch Cords from Legrand:	2.5 m Patch Cord, Qualification Status:	Type 51749/47/45 Manufacturer Verified

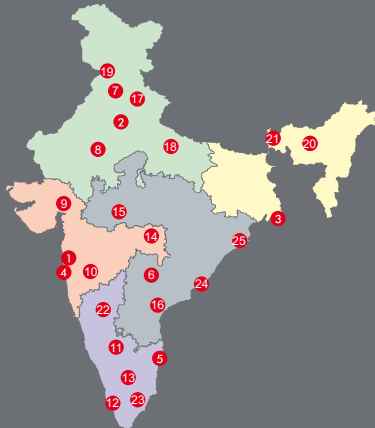
Hoersholm, 2 May 2002

Ole Lambertsen
Test Responsible

Hoersholm, 2 May 2002

Poul Villien
Coordinating Manager

Independent Testing - For End User Confidence



Head office

- 61 & 62, 6th Floor,
Kalpataru Square, Kondivita Road,
Off Andheri-Kurla Road, Andheri (E),
MUMBAI - 400 059.
Tel : (022) 3041 6200
Fax : (022) 3041 6201
Website : www.legrand.co.in

Regional sales offices

- A-25, Mohan Co-operative
Industrial Estate, Mathura Road,
NEW DELHI - 110 044.
Tel : (011) 2699 0028 / 29 / 30, 3990 2200
Fax : (011) 2699 0047
- Bhakta Towers, 2nd & 3rd Floor,
Plot No. KB 22, Salt Lake, Sector - 3,
KOLKATA - 700 098.
Tel : (033) 4021 3535 / 36
Fax : (033) 4021 3537
- 34, 3rd Floor, Kalpataru Square,
Kondivita Road, Off Andheri-Kurla Road,
Andheri (East),
MUMBAI - 400 059.
Tel : (022) 3385 6200
Fax : (022) 3385 6201
- Gee Gee Universal, 8th Floor, Door No. 2,
18/1 & 18/2, McNichols Road, Chetput,
CHENNAI - 600 031.
Tel : (044) 3024 7200, 2836 4165 / 67 / 68
Fax : (044) 2836 4169
- 205-208, 2nd Floor, Block - II,
White House, Kundan Bagh, Begumpet,
HYDERABAD - 500 016.
Tel : (040) 2341 4398 / 67
Fax : (040) 6636 6974

Technical assistance from Legrand

Telephonic technical assistance for selection of products, technical information, guidance, wiring diagrams and estimation is now made available to you. Contact Legrand technical assistance at the following telephone numbers: **(022) 3041 6258 / 00**. Also you could contact our regional offices:

New Delhi : Tel.: (011) 2699 0028, 3990 2200

Kolkata : Tel.: (033) 4021 3535 / 36

Mumbai : Tel.: (022) 3385 6200

Chennai : Tel.: (044) 3024 7200, 2836 4165 / 67 / 68

Hyderabad : Tel.: (040) 2341 4398 / 67

customer.care@legrand.co.in

Branch offices

- SCO 1-2-3,
Second Floor, Sector 17B,
CHANDIGARH - 160 017.
Tel : (0172) 305 8631 / 32 / 33 / 34 / 35
Fax : (0172) 501 9008
- 507-510, Vth Floor, Soni Paris Point,
Jai Singh Highway, Banipark,
JAIPUR - 302 016.
Telefax : (0141) 511 3129
- 504, Sakar IV,
Opp. M. J. Library, Ellis Bridge,
AHMEDABAD - 380 006. Gujarat
Tel : (079) 2658 6561 / 2
Fax : (079) 2658 6563
- 402, Swastik Chambers,
Near Ashwamegh Marriage Hall,
Behind HP Petrol Pump,
Off Karve Road, Erandwane,
PUNE - 411 004.
Tel : (020) 6729 5600 / 601
Fax : (020) 6729 5604
- 11th Floor, Al-Latheef Building,
2/1, Union Street, Off. Infantry Road,
BANGALORE - 560 001.
Tel : (080) 2286 1081, 4113 3293 / 4
Fax : (080) 2286 1078
- No. 36/2178, Syda Building, 2nd Floor,
Kaloor - Kadavanthra Road, Kaloor,
KOCHI - 682 017.
Tel : (0484) 234 2921, 658 0921
Fax : (0484) 233 3921
- B-15, Thirumalai Towers,
IV-D, Fourth Floor,
723, Avanashi Road,
COIMBATORE - 641 018.
Tel : (0422) 650 2728, 222 3634 / 0283
Fax : (0422) 222 3164
- Plot No.95, II Floor, Shreyash Heights,
Ramdas Peth, VIP Road,
NAGPUR - 440 010.
Tel : (0712) 662 7857 / 58
Fax : (0712) 662 7859
- 204-205, Megapolis Square,
579, M G Road,
INDORE - 452 001.
Tel : (0731) 393 1650 / 51 / 52
Fax : (0731) 393 1653
- MF-2, Datta's Lords House,
Jammi Chettu Street,
VIJAYAWADA - 520 010.
Telefax : (0866) 669 9393

Area offices

- ABC Business Club 16,
Tagore Villa, Chakrata Road,
DEHRADUN - 248 001.
Uttaranchal.
Tel : (0135) 271 5189 / 248 001
- Cabin No.104/105,
Trade Point,
Ground Floor, Saran Chamber 1,
5, Park Road, Hazratganj,
LUCKNOW - 226 001.
Tel : (0522) 223 9044 / 7285
Fax : (0522) 223 9124
- Cabin No. 9,
Second Floor,
Madhok Trade Centre,
Madhok Complex,
Ferozpur Road,
LUDHIANA - 141 001.
Tel/Fax No.: (0161) 277 0301 / 304
- House No. 97, Ground Floor,
Rajgarh Main Road,
Opp. City Heart Nursing Home,
GUWAHATI - 781 007.
Tel : (0361) 245 8498
- 94, Udhm Singh Sarani,
Ground Floor, Ashrampara,
SILIGURI - 734 001.
Tel : 94341 91635 / 98009 77780
- Prime Plaza, 2nd Floor,
1st Main,
Girls High School Road,
Near PNB, Deshpande Nagar,
HUBLI - 580 029.
Mobile Nos: 98807 64338 / 98807 64339
- Aparna Towers, 1st Floor,
2/3, Bypass Road,
MADURAI - 625 010.
Telefax : (0452) 230 8414
- 404, Eshwar Plaza,
Dwaraka Nagar, Main Road,
VISHAKHAPATNAM - 530 020.
Telefax : (0891) 663 9363
- Plot No. 359,
Saheed Nagar, 2nd Floor,
BHUBANESWAR - 751 007.
Tel : (0674) 254 0623

legrand®