

When one
is not good enough,
10 reasons to switch to
RX³



 **legrand**[®]
— ■ IDEAS THAT CLICK



ISI & CE marking

to give you the finest quality.

RX³ MCBs and RCCBs are ISI marked ,
thus ensuring that the product has gone
through stringent quality tests.

RX³ also has CE marking



Low watt loss

to help you save money and power.

RX³ MCB is beneficial in many ways than one, it helps you save money and energy.

RX³ MCB has low watt loss ensuring low consumption of energy. It cares for you and the environment.



Large cable terminals for
Flexibility
and convenience

RX³ MCB's are suitable for cables up to 35mm² cross section area. This means that a large sized cable can be used as it adds flexibility and avoids terminal burns. It is suitable for both Copper and Aluminium cables.



20,000

**20,000
operations**

for long-lasting performance.

RX³ MCB's have a capacity of 20,000 mechanical operations. This means that you can use them for 13 long years* without worrying about anything. RX³ is thus efficient and long-lasting when it comes to performance.

*Assuming 2 operations a day.

RX³ MCB's / RCCB's



IP 20 terminals to keep you safe, always.

Safety always comes first and that's exactly what RX³ does. All the active and live parts are kept out of human reach, thus keeping the operator safe.



IP 20 terminal

No line load bias

When you use RX³, you have a choice of connecting the load either on the upper terminal or on the lower terminal. This makes it very convenient and adds flexibility while wiring.



Bi-connect terminals to give you connectivity options

RX³ MCB's gives you options when it comes to connecting cables. i.e. connections can be made either using a cable or a busbar.



Suitable for isolation

Safety during maintenance is very important. That is why RX³ MCB's isolates the load from the power source when it is "OFF". This ensures that there is no current flowing through it and maintenance can be carried out effectively.





Self-lifting terminals to provide effective connection

RX³ MCB's have features beyond the ordinary. While terminating the cable, its self-lifting terminals guides cable towards the cage terminals. This ensures proper connectivity.



Operating temperature to suit all weather conditions

RX³ MCB's can be operated in temperatures ranging from -25° to 70° C. So be it any climatic conditions, RX³ MCB's will function efficiently.



IP20 terminals

All the active, live parts are out of human reach, which means that all the current carrying parts of the product are out of human reach, thus ensuring safety of installers and maintenance person.



Clear & sharp printing

Clear & sharp printing for front facia with longer life and better visibility.



Retail DB's



As per standard IS 8623

Conforms to IS 8623 thus meets stringent requirements of the standard.

New exciting look

Wireset & busbars

DBs are supplied with wireset and busbar for ease of wiring and for upmost safety. The busbars are rated for 100 A.



Strong & durable knob

New strong and durable sliding knob for all IP42 DBs.



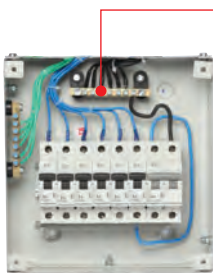
Shrouded busbars

Busbars are shrouded, thus ensuring no accidental contact with live parts giving safety to operating person.

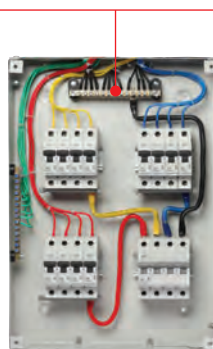


Ample wiring space

The new DBs have ample wiring space which ensures that the wiring and dressing can be done efficiently and effectively.



SPN DBs



ETPN DBs



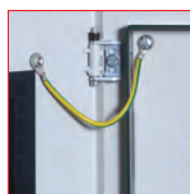
Insulated Neutral bar

Neutral bar is insulated from the box. It is rated for 100 A.



Door earthing

Ensures safety of the operating person.



Captive screws

Ensures that the screws do not get lost thus ease of installation.

Range of RX³



Range of RX³ MCBs.

Rating: 6A to 63A
Poles: SP, DP, TP & FP
Voltage: 240V / 415V



Range of RX³ Isolators.

Rating: 40A, 63A & 80A
Poles: DP, TP & FP
Voltage: 240V / 415V



Range of RCCBs

Earth leakage protection
Rating: 25A, 40A, 63A
Sensitivity: 30mA, 100mA
Poles: DP & FP
Voltage: 240V / 415V



Range of DBs.

Degree of Protection : IP20, IP42



RX³ MCBs

Cat. nos.	Amps.	Pack
-----------	-------	------

ISI marked as per IS/IEC 60898-1 (2002)
 'B' characteristic MCBs with 10 kA breaking capacity
 Low watt loss
 35 sq. mm. cage terminals
 IP20 protected terminals
 Bi-connect lower terminals
 No line load bias
 Suitable for isolation

Single pole

4024 31	6 A	1/10/120
4024 32	10 A	1/10/120
4024 33	16 A	1/10/120
4024 34	20 A	1/10/120
4024 35	25 A	1/10/120
4024 36	32 A	1/10/120
4024 37	40 A	1/10/120
4024 38	50 A	1/10/120
4024 39	63 A	1/10/120



4024 32

Double pole

4024 40	6 A	1/5/60
4024 41	10 A	1/5/60
4024 42	16 A	1/5/60
4024 43	20 A	1/5/60
4024 44	25 A	1/5/60
4024 45	32 A	1/5/60
4024 46	40 A	1/5/60
4024 47	50 A	1/5/60
4024 48	63 A	1/5/60



4024 48

Triple pole

4024 49	6 A	1/40
4024 50	10 A	1/40
4024 51	16 A	1/40
4024 52	20 A	1/40
4024 53	25 A	1/40
4024 54	32 A	1/40
4024 55	40 A	1/40
4024 56	50 A	1/40
4024 57	63 A	1/40



4024 57

Four pole

4024 58	6 A	1/32
4024 59	10 A	1/32
4024 60	16 A	1/32
4024 61	20 A	1/32
4024 62	25 A	1/32
4024 63	32 A	1/32
4024 64	40 A	1/32
4024 65	50 A	1/32
4024 66	63 A	1/32



4024 66

* MRP - Maximum Retail Price Inclusive of all taxes.

RX³ Isolators

Cat. nos.	Amps.	Pack
-----------	-------	------

Conforms to IS 13947-3 (IEC 60947-3)
 35 sq. mm cage terminals
 Bi-connect lower terminals

Double pole

4020 08	40 A	1/5/60
4020 09	63 A	1/5/60
4020 10	80 A	1/5/60



4020 08

Triple Pole

4020 14	40 A	1/40
4020 15	63 A	1/40
4020 16	80 A	1/40



4020 14

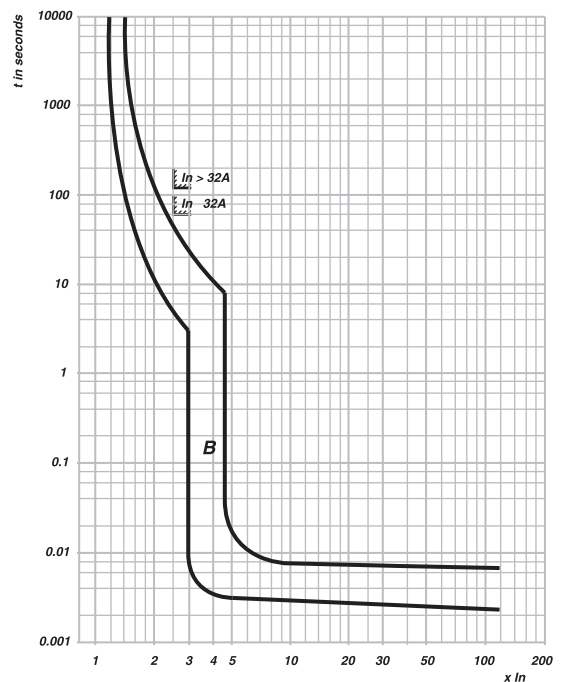
Four pole

4020 20	40 A	1/32
4020 21	63 A	1/32
4020 22	80 A	1/32



4020 20

'B' characteristic MCB tripping curve



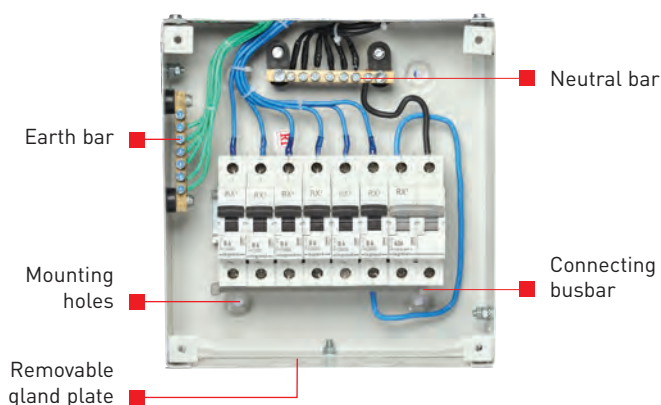
Bold cat. nos. are products normally available with Legrand (India) Stockists.
 Cat nos. that are not bold - delivery within 4 - 8 weeks from the date of order.
 Bold packing quantity is our mandatory packing. Orders to be placed by
 Legrand (India) Stockists in multiples of the same.

Distribution Boards

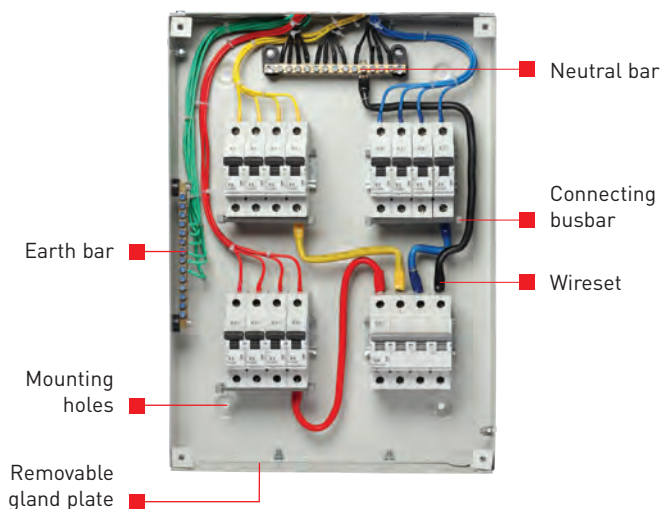
Efficient and easy installation

With complete operational safety

SPN DB



ETPN DB



* MRP - Maximum Retail Price Inclusive of all taxes.
Red cat. nos. - new products

RX³ RCCBs

Cat. nos.	Amps.	Pack
-----------	-------	------

As per IS 12640 - 2008
Bi-connect lower terminal

Double pole - sensitivity 30 mA

4024 88	25 A	1/5/60
4024 89	40 A	1/5/60
4024 90	63 A	1/5/60

Double pole - sensitivity 100 mA

4024 92	25 A	1/5/60
4024 93	40 A	1/5/60
4024 94	63 A	1/5/60

Four pole - sensitivity 30 mA

4025 19	25 A	1/32
4025 20	40 A	1/32
4025 21	63 A	1/32

Four pole - sensitivity 100 mA

4025 23	25 A	1/32
4025 24	40 A	1/32
4025 25	63 A	1/32



RX³ accessory

Entry terminal

6034 48	50 mm ² Entry Terminal for RCCB	1
---------	--	---

Distribution Boards

Cat. nos.	Number of ways	No. of modules	Pack
-----------	----------------	----------------	------

SPN DBs

As per IS 8623
With 100 A busbars, neutral bar and earthing studs
With provision for DP RCCB / MCB / Isolator as incomer and SP MCBs as outgoing

IP 20 protection

4025 00	4	2 + 4	1
4025 01	6	2 + 6	1
4025 02	8	2 + 8	1
4025 03	12	2 + 12	1

IP 42 protection - metal door

4025 05	4	2 + 4	1
4025 06	6	2 + 6	1
4025 07	8	2 + 8	1
4025 08	12	2 + 12	1

TPN DBs - ETPN DBs

As per IS 8623
With 100 A busbars, neutral bar and earth bar.
Three phase distribution boards for single phase outgoing with provision for FP RCCB / MCB / Isolator as incomer and SP MCBs as outgoing

IP 20 protection

4025 10	4	4 + 12	1
4025 11	6	4 + 18	1
4025 12	8	4 + 24	1
4025 13	12	4 + 36	1

IP 42 protection - metal door

4025 15	4	4 + 12	1
4025 16	6	4 + 18	1
4025 17	8	4 + 24	1
4025 18	12	4 + 36	1



Bold cat. nos. are products normally available with Legrand (India) Stockists.
Cat nos. that are not bold - delivery within 4 - 8 weeks from the date of order.
Bold packing quantity is our mandatory packing. Orders to be placed by Legrand (India) Stockist in multiples of the same.

■ Technical data
Dissipated power:

 Per pole, under I_n, in Watts

Rated current	6 A	10 A	16 A	20 A	25 A	32 A	40 A	50 A	63 A
Power loss per pole	1.2 W	1.5 W	1.85 W	2.0 W	2.4 W	3.1 W	4 W	4.5 W	5.5 W

Derating of MCB in terms of ambient temperature:

 MCB's are set to operate under I_n at 30°C ambient temperature.

These rated characteristics may change depending on the ambient temperature inside the enclosure where it is installed.

I _n	Ambient temperature / I _n (in A)									
	- 25 °C	- 10 °C	0°C	10°C	20°C	30°C	40°C	50°C	60°C	70°C
6 A	7.5	7	6.6	6.4	6.18	6	5.8	5.6	5.4	5.2
10 A	12.5	11.5	11.1	10.7	10.3	10	9.7	9.3	9	8.7
16 A	20	18.7	18	17.3	16.6	16	15.4	14.7	14.1	13.5
20 A	25	23.2	22.4	21.6	20.8	20	19.2	18.4	17.6	16.8
25 A	31.5	29.5	28.3	27.2	26	25	24	22.7	21.7	20.7
32 A	41	37.8	36.5	34.9	33.3	32	30.7	29.1	27.8	26.5
40 A	51	48	46	44	42	40	38	36	34	32
50 A	64	60	57.5	55	52.5	50	47.5	45	42.5	40
63 A	80.6	75.6	72.5	69.9	66.1	63	59.8	56.1	52.9	50.4

Rated temperature : 30°C

Current : average value in Amps

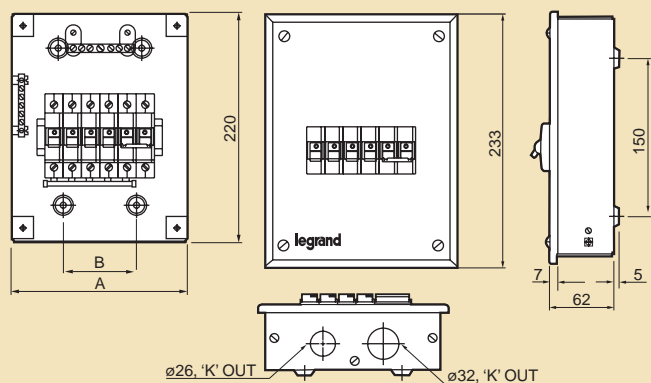
Product selection chart
For household Applications

Appliances	Capacity/watt (Load) (230VAC 1 ph)	Current Rating of MCB	Type of MCB
Over cum grill	4500 W	25.0 A	"B" series
	1750 W	10.0 A	"B" series
Oven only hot plate only room Heater	750 W	6.0 A	"B" series
	2000 W	10.0 A	"B" series
	1000 W	6.0 A	"B" series
	2000 W	10.0 A	"B" series
Water Heater (storage/instant)	1000 W	6.0 A	"B" series
	2000 W	10.0 A	"B" series
	3000 W	16.0 A	"B" series
	6000 W	32.0 A	"B" series
Electric iron	750 W	6.0 A	"B" series
	1250 W	8 A	"B" series
Auto toaster (2 slices) electric kettle)	1200 W	6.0 A	"B" series
	1500 W	10.0 A	"B" series

SPN DBs

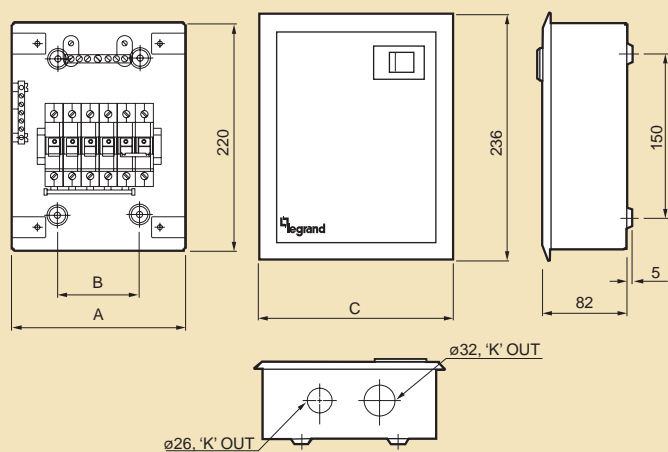
■ Dimensions

IP 20 SPN DBs



Cat. no.	No. of ways	A	B	C	Top $\varnothing 25$ Knock out	Bottom $\varnothing 25$ Knock out
4025 00	4	170	80	180	1 no.	1 no.
4025 01	6	210	120	222	1 no.	1 no.
4025 02	8	240	150	252	2 nos.	1 no.
4025 03	12	316	226	328	3 nos.	1 no.

IP 42 SPN DBs

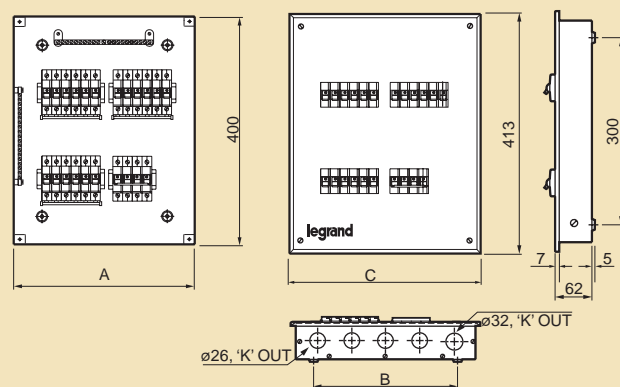


Cat. no.	No. of ways	A	B	C	Top $\varnothing 25$ Knock out	Bottom $\varnothing 25$ Knock out
4025 05	4	170	80	190	1 no.	1 no.
4025 06	6	210	120	230	1 no.	1 no.
4025 07	8	240	150	260	2 nos.	1 no.
4025 08	12	316	226	336	3 nos.	1 no.

ETPN DBs

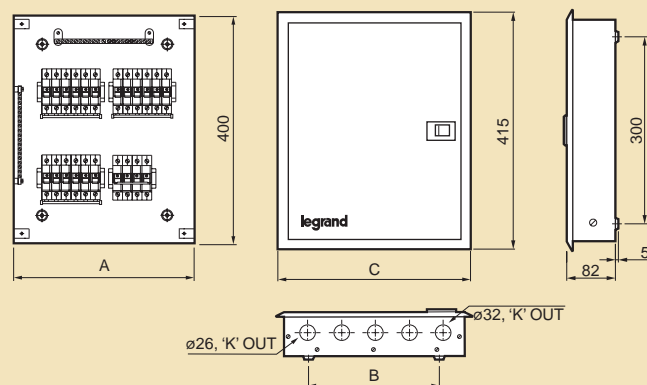
■ Dimensions

IP 20 EPTN DBs



Cat. no.	No. of ways	A	B	C	Top $\varnothing 25$ Knock out	Bottom $\varnothing 25$ Knock out
4025 10	4	285	195	297	3 nos.	1 no.
4025 11	6	321	231	333	4 nos.	1 no.
4025 12	8	405	315	417	5 nos.	1 no.

IP 42 EPTN DBs

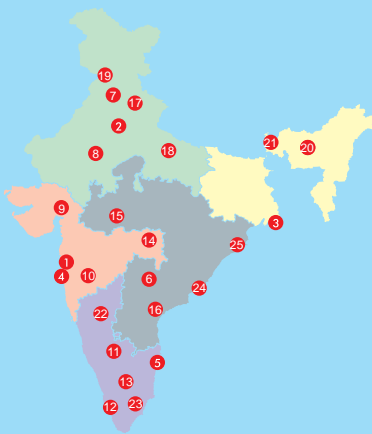


Cat. no.	No. of ways	A	B	C	Top $\varnothing 25$ Knock out	Bottom $\varnothing 25$ Knock out
4025 15	4	285	195	305	3 nos.	1 no.
4025 16	6	321	231	341	4 nos.	1 no.
4025 17	8	405	315	425	5 nos.	1 no.



About us

For the last four decades, Legrand in India has been the leader in the protection business. It offers a wide range of circuit breakers up to 1600A and world-class distribution boards. By leveraging its knowledge of best practices across the globe, Legrand bring its clients products that make a difference.



Head office

- 61 & 62, 6th Floor,
Kalpataru Square, Kondivita Road,
Off Andheri-Kurla Road, Andheri (E),
MUMBAI - 400 059.
Tel : (022) 3041 6200
Fax : (022) 3041 6201
Website : www.legrand.co.in

Regional sales offices

- A-25, Mohan Co-operative
Industrial Estate, Mathura Road,
NEW DELHI - 110 044.
Tel : (011) 2699 0028 / 29 / 30, 3990 2200
Fax : (011) 2699 0047
- Bhakta Towers, 2nd & 3rd Floor,
Plot No. KB 22, Salt Lake, Sector - 3,
KOLKATA - 700 098.
Tel : (033) 4021 3535 / 36
Fax : (033) 4021 3537
- 34, 3rd Floor, Kalpataru Square,
Kondivita Road, Off Andheri-Kurla Road,
Andheri (East),
MUMBAI - 400 059.
Tel : (022) 3385 6200
Fax : (022) 3385 6201
- Gee Gee Universal,
8th Floor, Door No. 2, 18/1 & 18/2,
McNichols Road, Chetput,
CHENNAI - 600 031.
Tel : (044) 3024 7200, 2836 4165 / 67 / 68
Fax : (044) 2836 4169
- 205-208, 2nd Floor, Block - II,
White House, Kundan Bagh, Begumpet,
HYDERABAD - 500 016.
Tel : (040) 2341 4398 / 67
Fax : (040) 6636 6974

Branch offices

- SCO 1-2-3,
Second Floor, Sector 17B,
CHANDIGARH - 160 017.
Tel : (0172) 305 8631 / 32 / 33 / 34 / 35
Fax : (0172) 501 9008
- 507-510, Vth Floor, Soni Paris Point,
Jai Singh Highway, Banipark,
JAIPUR - 302 016.
Telefax : (0141) 511 3129
- 504, Sakar IV,
Opp. M. J. Library, Ellis Bridge,
AHMEDABAD - 380 006. Gujarat
Tel : (079) 2658 6561 / 2
Fax : (079) 2658 6563
- 402, Swastik Chambers,
Near Ashwamegh Marriage Hall,
Behind HP Petrol Pump,
Off Karve Road, Erandwane,
PUNE - 411 004.
Tel : (020) 6729 5600 / 601
Fax : (020) 6729 5604
- 11nd Floor, Al-Latheef Building,
2/1, Union Street, Off. Infantry Road,
BANGALORE - 560 001.
Tel : (080) 2286 1081, 4113 3293 / 4
Fax : (080) 2286 1078
- No. 36/2178, Syda Building, 2nd Floor,
Kaloor - Kadavanthra Road, Kaloor,
KOCHI - 682 017.
Tel : (0484) 234 2921, 658 0921
Fax : (0484) 233 3921
- B-15, Thirumalai Towers,
IV-D, Fourth Floor, 723, Avanashi Road,
COIMBATORE - 641 018.
Tel : (0422) 650 2728, 222 3634 / 0283
Fax : (0422) 222 3164
- Plot No.95, II Floor, Shreyash Heights,
Ramdas Peth, VIP Road,
NAGPUR - 440 010.
Tel : (0712) 662 7857 / 58
Fax : (0712) 662 7859
- 204-205, Megapolis Square,
579, M G Road,
INDORE - 452 001.
Tel : (0731) 393 1650 / 51 / 52
Fax : (0731) 393 1653
- MF-2, Datta's Lords House,
Jammi Chettu Street,
VIJAYAWADA - 520 010.
Tel : (0866) 661 1393, 664 6393
Fax : (0866) 669 9393

Area offices

- ABC Business Club 16,
Tagore Villa, Chakrata Road,
DEHRADUN - 248 001.
Uttaranchal.
Tel : (0135) 271 5189 / 248 001
- Cabin No.104/105,
Trade Point,
Ground Floor,
Saran Chamber 1,
5, Park Road, Hazratganj,
LUCKNOW - 226 001.
Tel : (0522) 223 9044 / 7285
Fax : (0522) 223 9124
- Cabin No. 9,
Second Floor,
Madhok Trade Centre,
Madhok Complex,
Ferozpur Road,
LUDHIANA - 141 001.
Tel/Fax No.: (0161) 277 0301 / 304
- House No. 97, Ground Floor,
Rajgarh Main Road,
Opp. City Heart Nursing Home,
GUWAHATI - 781 007.
Tel : (0361) 245 8498
- 94, Uddham Singh Sarani,
Ground Floor, Ashrampara,
SILIGURI - 734 001.
Tel : 94341 91635 / 98009 77780
- Prime Plaza, 2nd Floor, 1st Main,
Girls High School Road,
Near PNB, Deshpande Nagar,
HUBLI - 580 029.
Mobile Nos: 98807 64338 / 98807 64339
- Aparna Towers, 1st Floor,
2/3, Bypass Road,
MADURAI - 625 010.
Telefax : (0452) 230 8414
- 404, Eshwar Plaza,
Dwaraka Nagar, Main Road,
VISHAKHAPATNAM - 530 020.
Tel : (0891) 663 5652
Fax : (0891) 663 9363
- Plot No. 359,
Saheed Nagar, 2nd Floor,
BHUBANESWAR - 751 007.
Tel : (0674) 254 0623

Technical assistance from Legrand

Telephonic technical assistance for selection of products, technical information, guidance, wiring diagrams and estimation is now made available to you at each Regional Office. Contact the Technical Officer of Legrand at the following telephone numbers

New Delhi : Tel.: (011) 2699 0028, 3990 2200

Kolkata : Tel.: (033) 4021 3535 / 36

Mumbai : Tel.: (022) 3385 6200

Chennai : Tel.: (044) 3024 7200, 2836 4165 / 67 / 68

Hyderabad : Tel.: (040) 2341 4398 / 67

For other places, contact the nearest
Regional / Branch /Area offices

customer.care@legrand.co.in

